

F-505M 轮胎拆装机

Tire Changer

CE

6"-24"摩托车轮胎拆装机
6"-24" moto tire changer



技术参数 TECHNICAL DATA

F-505M

适合轮毂尺寸	Clamp Range	6" - 24"
最大轮胎宽度	Max. Wheel Width	300mm
最大轮胎直径	Max. Wheel Diameter	980mm
工作气压范围	Air Supply	8-10bar
电机电压	Motor Parameters	110V/1220V/380V
包装尺寸	Package Size	760*980*850
产品重量	Product weight	200KG



主要特征 MAIN FEATURES



标配摩托车专用工作盘，三档可调爪距，专业匹配摩托车轮毂。稳定高效。

Standard motorcycle specific working disc, three adjustable claw distances, professionally matched with motorcycle wheels. Stable and efficient.



标配摩托车专用工作头，更适合中小尺寸摩托车轮毂，轮胎拆卸更轻松。

Standard motorcycle specific working head, more suitable for small and medium-sized motorcycle wheels, and easier tire disassembly.



采用541六角钢，特殊工艺处理，在拆装轮胎时不会发生变形。

Using 541 hexagonal steel and special processing, it will not deform when disassembling and assembling tires.



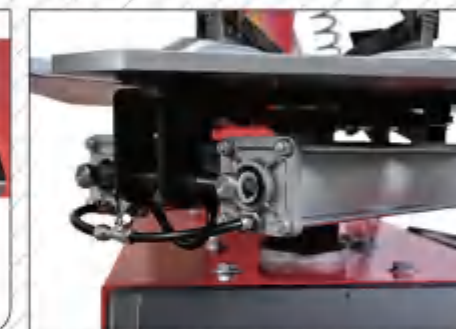
可拆卸式脚踏支架，发生售后时，方便拆装更换。

Detachable foot pedal bracket, easy to disassemble and replace in case of after-sales service.



(选配) 可选配全铝合金三脚踏控制结构，令操作更加稳定、便捷。

(Optional) Optional all aluminum alloy three foot control structure, making operation more stable and convenient.



(选配) 可选配全铝合金三脚踏控制结构，令操作更加稳定、便捷。

(Optional) Optional all aluminum alloy three foot control structure, making operation more stable and convenient.

F-586 轮胎拆装机

Tire Changer

CE

10"-24" 摆臂轮胎拆装机
10"-24" swing arm tire changer



技术参数 TECHNICAL DATA

F-586

适用外夹尺寸	Outer Clamp	10" - 22"
适用内撑尺寸	Inter Clamp	12" - 24"
最大轮胎宽度	Max.Wheel Width	350mm
最大轮胎直径	Max.Wheel Diameter	1040mm
工作气压范围	Air Supply	8-10bar
电机电压	Motor Parameters	110V/220V/380V
包装尺寸	Package Size	760*980*860
产品重量	Product weight	200KG

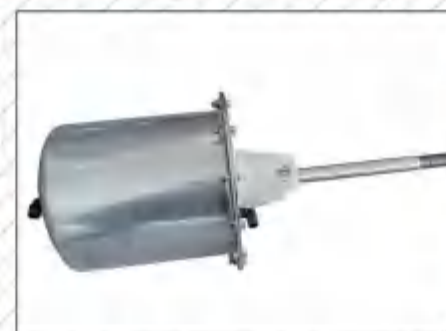


主要特征 MAIN FEATURES



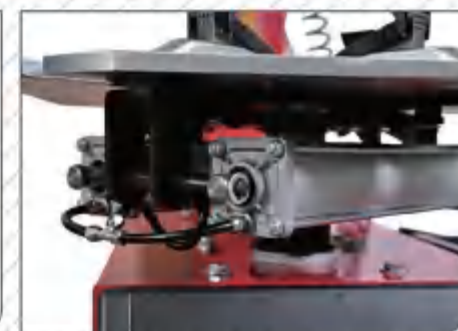
卡爪采用特殊钢制作，坚固耐用。两档调节，适合范围更广。

The claws are made of special steel, which is sturdy and durable. Two speed adjustment, suitable for a wider range.



标配直径186mm高碳钢铲胎气缸，气缸力量更大，铲胎轻松。

Standard 186mm diameter high carbon steel tire shoveling cylinder, with greater cylinder force and easy tire shoveling.



关键部位全金属接头，稳定不漏气，售后少使用更加安心。

The key parts are all metal joints, stable and leak proof, and the after-sales service is more reassuring with less use.



可拆卸式脚踏支架，发生售后时，方便拆装更换。

Detachable foot pedal bracket, easy to disassemble and replace in case of after-sales service.



(选配) 可选配全铝合金三脚踏控制结构，令操作更加稳定、便捷。

(Optional) Optional all-aluminum alloy three-foot control structure, making operation more stable and convenient.



(选配) 可选配方立柱结构。

(Optional) Optional formula column structure.

F-585 轮胎拆装机

Tire Changer



10"-24" 右辅助臂摆臂轮胎拆装机
10"-24" right power assistant swing arm tire changer



技术参数 TECHNICAL DATA

F-585

适用外夹尺寸	Outer Clamp	10" - 22"
适用内撑尺寸	Inter Clamp	12" - 24"
最大轮胎宽度	Max.Wheel Width	350mm
最大轮胎直径	Max.Wheel Diameter	1040mm
工作气压范围	Air Supply	8-10bar
电机电压	Motor Parameters	110V/220V/380V
包装尺寸	Package Size	1100*980*860
产品重量	Product weight	220KG



主要特征 MAIN FEATURES



标配右辅助臂，托胎压胎两用，双30mm直径导向柱，结构稳定，轻松省力。
Standard right auxiliary arm, dual-use for tire support and pressure, dual 30mm diameter guide columns, stable structure, easy and effortless.



卡爪采用特殊钢制作，坚固耐用。两档调节，适合范围更广。
The claws are made of special steel, which is sturdy and durable. Two speed adjustment, suitable for a wider range.



采用S41六方钢，特殊工艺处理，在拆装轮胎时不会发生变形。
Using S41 hexagonal steel and special processing, it will not deform when disassembling and assembling tires.



可拆卸式脚踏支架，发生售后时，方便拆装更换。
Detachable foot pedal bracket, easy to disassemble and replace in case of after-sales service.



(选配) 可选配全铝合金三脚踏控制结构，令操作更加稳定、便捷。
(Optional) Optional all aluminum alloy three-foot control structure, making operation more stable and convenient.



(选配) 可选配方立柱结构。
(Optional) Optional formula column structure.

F-581 轮胎拆装机

Tire Changer



10"-24" 左辅助臂摆臂轮胎拆装机
10"-24" left power assistant swing arm tire changer



技术参数 TECHNICAL DATA

F-581

适用外夹尺寸	Outer Clamp	10" -22"
适用内撑尺寸	Inter Clamp	12" -24"
最大轮胎宽度	Max.Wheel Width	350mm
最大轮胎直径	Max.Wheel Diameter	1040mm
工作气压范围	Air Supply	8-10bar
电机电压	Motor Parameters	110V/220V/380V
包装尺寸	Package Size	1100*980*860
产品重量	Product weight	290KG



主要特征 MAIN FEATURES



标配左辅助臂，双压辊结构，带有托胎盘与中心定位锥，四位一体结构，拆装更容易。
Standard configuration includes a left auxiliary arm, dual pressure roller structure, with a support plate and a central positioning cone, a four in one structure, making disassembly and assembly easier.



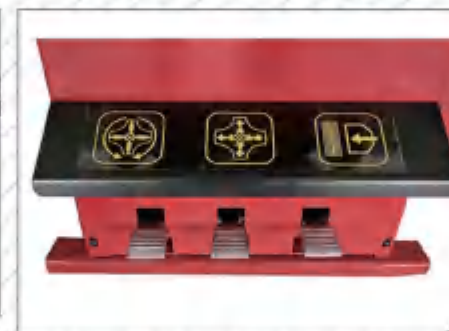
卡爪采用特殊钢制作，坚固耐用。两档调节，适合范围更广。
The claws are made of special steel, which is sturdy and durable. Two speed adjustment, suitable for a wider range.



采用541六角钢，特殊工艺处理，在拆装轮胎时不会发生变形。
Using 541 hexagonal steel and special processing, it will not deform when disassembling and assembling tires.



可拆卸式脚踏支架，发生故障时，方便拆装更换。
Detachable foot pedal bracket, easy to disassemble and replace in case of after-sales service.



(选配) 可选配全铝合金三脚踏控制结构，令操作更加稳定、便捷。
(Optional) Optional all-aluminum alloy three-foot control structure, making operation more stable and convenient.



(选配) 可选配方立柱结构。
(Optional) Optional formula column structure.

F-588 轮胎拆装机

Tire Changer



10"-24" 左右辅助臂摆臂轮胎拆装机
10"-24" left&right power assistant swing arm tire changer



技术参数 TECHNICAL DATA

F-588

适用外夹尺寸	Outer Clamp	10" -22"
适用内撑尺寸	Inter Clamp	12" -24"
最大轮胎宽度	Max.Wheel Width	350mm
最大轮胎直径	Max.Wheel Diameter	1040mm
工作气压范围	Air Supply	8-10bar
电机电压	Motor Parameters	110V/220V/380V
包装尺寸	Package Size	1100*980*860
产品重量	Product weight	260KG



主要特征 MAIN FEATURES



标配左右双辅助臂，双30mm缸杆，左右气缸独立控制，左臂托压两用，右臂双导向轮结构。
Standard configuration includes left and right dual auxiliary arms, dual 30mm cylinder rods, independent control of left and right cylinders, dual-purpose left arm pressure support, and dual guide wheel structure for right arm.



卡爪采用特殊钢制作，坚固耐用。两档调节，适合范围更广。
The claws are made of special steel, which is sturdy and durable. Two speed adjustment, suitable for a wider range.



采用S41六角钢，特殊工艺处理，在拆装轮胎时不会发生变形。
Using S41 hexagonal steel and special processing, it will not deform when disassembling and assembling tires.



可拆卸式脚踏支架，发生售后时，方便拆装更换。
Detachable foot pedal bracket, easy to disassemble and replace in case of after-sales service.



(选配) 可选配全铝合金三脚踏控制结构，令操作更加稳定、便捷。
[Optional] Optional all-aluminum alloy three foot control structure, making operation more stable and convenient.



(选配) 可选配方立柱结构。
[Optional] Optional formula column structure.

F-595 轮胎拆装机 Tire Changer



10"-24" 后倾轮胎拆装机
10"-24" tilt back tire changer



技术参数 TECHNICAL DATA

F-595

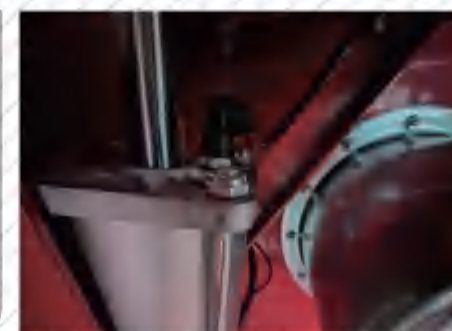
适用外夹尺寸	Outer Clamp	10" - 22"
适用内撑尺寸	Inter Clamp	12" - 24"
最大轮胎宽度	Max. Wheel Width	350mm
最大轮胎直径	Max. Wheel Diameter	1040mm
工作气压范围	Air Supply	8-10bar
电机电压	Motor Parameters	110V/220V/380V
包装尺寸	Package Size	1100*980*860
产品重量	Product weight	240KG



主要特征 MAIN FEATURES



后倾式设计，轮毂对正位置一键锁定，自动退让安全距离，防止刮伤轮毂，拆装轮胎时立柱变形量小。
Backward tilting design, one click locking of the wheel hub in the correct position, automatic retreat to a safe distance to prevent scratching of the wheel hubs, and minimal deformation of the column when disassembling and assembling tires.



直径80mm后倾气缸，立柱更稳定，拆装轮胎晃动量更小。
The 80mm diameter rear tilting cylinder provides a more stable column and reduces the shaking during disassembly and assembly.



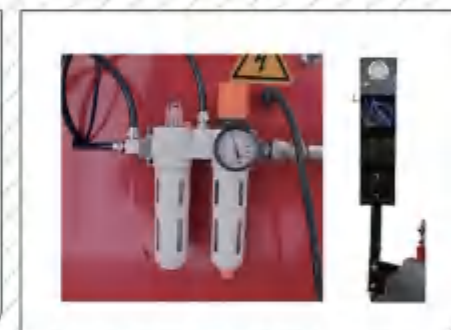
采用复合箱体结构，后部整体双加强立筋，立柱底部不会因受力而大幅度变形，结构稳定。
Adopting a composite box structure, the rear is reinforced with double vertical bars, and the bottom of the column will not deform significantly due to stress, ensuring structural stability.



可拆卸式脚踏支架，发生售后时，方便拆装更换。
Detachable foot pedal bracket, easy to disassemble and replace in case of after-sales service.



(选配) 可选配全铝合金大气缸，避免因保养不当而造成气缸筒生锈与胶圈磨损，使用寿命更长。
(Optional) Optional all-aluminum alloy large cylinder to avoid rusting of the cylinder barrel and wear of the rubber ring due to improper maintenance, with a longer service life.



(选配) 可选配高配防爆气源件与充气系统套装。
(Optional) Optional high-end explosion-proof air source components and inflation system kit.

F-596 轮胎拆装机 Tire Changer



10"-24" 右辅助臂后倾轮胎拆装机
10"-24" right power assistant tilt back tire changer



技术参数 TECHNICAL DATA

F-596

适用外夹尺寸	Outer Clamp	10" -22"
适用内撑尺寸	Inter Clamp	12" -24"
最大轮胎宽度	Max.Wheel Width	350mm
最大轮胎直径	Max.Wheel Diameter	1040mm
工作气压范围	Air Supply	8-10bar
电机电压	Motor Parameters	110V/220V/380V
包装尺寸	Package Size	1100*980*860-1250*900*950 or 1000*1000*1760
产品重量	Product weight	300KG



主要特征 MAIN FEATURES



标配右辅助臂，直径100mm助力气缸，辅助压胎与托胎，轻而易举，省时省力。
Standard right auxiliary arm, 100mm diameter assist cylinder, assists in tire pressing and support, easy and time-saving.



后倾式设计，轮毂对正位置一键锁定，自动退让安全距离，防止刮伤轮毂，拆装轮胎时立柱变形量小。
Backward-tilting design, one click locking of the wheel hub in the correct position, automatic retreat to a safe distance to prevent scratching of the wheel hub, and minimal deformation of the column when disassembling and assembling tires.



采用复合箱体结构，后部整体双加强立筋，立柱底部不会因受力而大幅度变形，结构稳定。
Adopting a composite box structure, the rear is reinforced with double vertical bars, and the bottom of the column will not deform significantly due to stress, ensuring structural stability.



可拆卸式脚踏支架，发生售后时，方便拆装更换。
Detachable foot pedal bracket, easy to disassemble and replace in case of after-sales service.



(选配) 可选配全铝合金大气缸，避免因保养不当而造成气缸筒生锈与胶圈磨损，使用寿命更长。
(Optional) Optional all-aluminum alloy large cylinder to avoid rusting of the cylinder barrel and wear of the rubber ring due to improper maintenance, with a longer service life.



(选配) 可选配高配防爆气源件与充气系统套装。
(Optional) Optional high-end explosion-proof air source components and inflation system kit.

F-596LR 轮胎拆装机

Tire Changer



10"-24" 左右辅助臂后倾轮胎拆装机
10"-24" left&right power assistant tilt back tire changer



技术参数 TECHNICAL DATA

F-596LR

适用外夹尺寸	Outer Clamp	10" - 22"
适用内撑尺寸	Inter Clamp	12" - 24"
最大轮胎宽度	Max.Wheel Width	350mm
最大轮胎直径	Max.Wheel Diameter	1040mm
工作气压范围	Air Supply	8-10bar
电机电压	Motor Parameters	110V/220V/380V
包装尺寸	Package Size	1100*980*860-1250*1400*450 or 1100*1000*1780
产品重量	Product weight	420KG



主要特征 MAIN FEATURES



标配左右双辅助臂，左右双臂配合使用，双托盘，三压点，灵活调整。轮胎拆装更轻松。
Standard configuration includes left and right dual auxiliary arms, which can be used in conjunction with each other with dual trays and three pressure points for flexible adjustment. Tire disassembly and assembly are easier.



后倾式设计，轮毂对正位置一键锁定，自动退让安全距离，防止刮伤轮毂，拆装轮胎时立柱变形量小。
Rearward tilting design, one click locking of the wheel hub in the correct position, automatic retreat to a safe distance to prevent scratching of the wheel hub, and minimal deformation of the column when disassembling and assembling tires.



采用复合箱体结构，后部整体双加强立筋，立柱底部不会因受力而大幅度变形，结构稳定。
Adopting a composite box structure, the rear is reinforced with double vertical bars, and the bottom of the column will not deform significantly due to stress, ensuring structural stability.



可拆卸式脚踏支架，发生售后时，方便拆装更换。
Detachable foot pedal bracket, easy to disassemble and replace in case of after-sales service.



(选配) 可选配全铝合金大缸，避免因保养不当而造成气缸筒生锈与胶圈磨损，使用寿命更长。
(Optional) Optional all-aluminum alloy large cylinder to avoid rusting of the cylinder barrel and wear of the rubber ring due to improper maintenance, with a longer service life.



(选配) 可选配高配防爆气源件与充气系统套装。
(Optional) Optional high-end explosion-proof air source components and inflation system kit.

JT-882 轮胎拆装机

Tire Changer



10"-28" 专业型右辅助臂后倾轮胎拆装机
10"-28" professional right power assistant tilt back tire changer



技术参数 TECHNICAL DATA

JT-882

适用外夹尺寸	Outer Clamp	10" - 26"
适用内撑尺寸	Inter Clamp	10" - 28"
最大轮胎宽度	Max. Wheel Width	400mm
最大轮胎直径	Max. Wheel Diameter	1140mm
工作气压范围	Air Supply	8-10bar
电机电压	Motor Parameters	110V/220V/380V
包装尺寸	Package Size	1100*980*860 or 1250*400*450 or 1100*1000*1760
产品重量	Product weight	390KG



主要特征 MAIN FEATURES



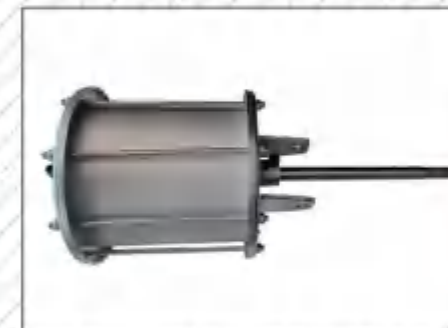
标配缸径100mm,缸杆30mm加强型辅助臂,托胎压胎双功能,性能强悍。
Standard cylinder diameter of 100mm, cylinder rod of 30mm reinforced auxiliary arm, dual function of tire support and pressure, powerful performance.



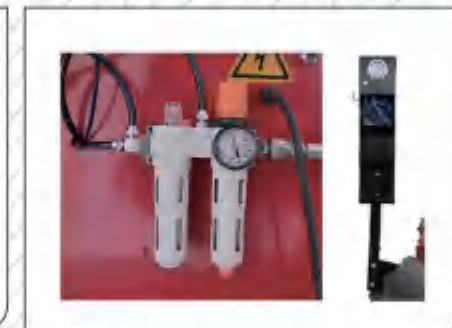
双加强型后仰柱,梯形设计,强度更高,变形量小。
Double reinforced rear column with trapezoidal design, high strength and less deformation.



标配10"-28"四档可调大盘,特殊工艺卡爪,配合可调滑块,卡爪距离快速调节,匹配更多型号轮胎。
Standard configuration includes a 10"-28" four level adjustable large plate, special craftsmanship claws, and an adjustable slider. The claw distance can be quickly adjusted to match more tire models.



标配全铝合金大气缸,避免因保养不当而造成气缸筒生锈与胶圈磨损,使用寿命更长。
Equipped with a standard all-aluminum alloy large cylinder, it avoids rusting of the cylinder barrel and wear of the rubber ring due to improper maintenance, and has a longer service life.



标配高配防爆气源件与充气系统套装。
Standard configuration includes high-end explosion-proof air supply components and inflation system kit.



(选配) 可选配无极调速电机,轮胎旋转速度自由掌握,超控自如。
(Optional) Optional infinitely variable speed motor, allowing for free control of tire rotation speed and effortless over control.

JT-884 轮胎拆装机

Tire Changer



10"-26" 高档型多功能后倾轮胎拆装机
10"-26" high-grade multifunctional tilt back tire changer



技术参数 TECHNICAL DATA

JT-884

适用外夹尺寸	Outer Clamp	10" -24"
适用内撑尺寸	Inter Clamp	12" -26"
最大轮胎宽度	Max. Wheel Width	400mm
最大轮胎直径	Max. Wheel Diameter	1140mm
工作气压范围	Air Supply	5-10bar
电机电压	Motor Parameters	110V/220V/380V
包装尺寸	Package Size	1100*980*860+1250*400*450 or 1100*1000*1780
产品重量	Product weight	440KG



主要特征 MAIN FEATURES



双加强辅助臂设计，拆卸与安装防爆胎省时省力。
Double reinforced auxiliary arm design saves time and effort in disassembling and installing and blowout tires.



滚轮式轮胎举升架，上下轮胎托举省力，滚轮辅助铲胎旋转便捷。
Roller type tire lifting frame, easy to lift the upper and lower tires, and the roller assisted tire scraping rotation is convenient.



标配有无撬棍自动翻胎系统，免除撬棍，拆卸轮胎易如反掌。
Equipped with an automatic tire flipping system without a pry bar as standard, it eliminates the need for a pry bar and makes tire removal effortless.



标配全铝合金大气缸，避免因保养不当而造成气缸筒生锈与胶圈磨损，使用寿命更长。
Equipped with a standard all aluminum alloy large cylinder, it avoids rusting of the cylinder barrel and wear of the rubber ring due to improper maintenance, and has a longer service life.



(选配) 可选配手持爆充或工作盘一体式爆充套装。
(Optional) Handheld explosive charging or integrated working disc explosive charging set can be selected.



(选配) 可选配无极调速电机，轮胎旋转速度自由掌握，超控自如。
(Optional) Optional infinitely variable speed motor, allowing for free control of tire rotation speed and effortless over control.

JT-886 轮胎拆装机

Tire Changer



14"-30" 无大盘型多功能后倾轮胎拆装机
14"-30" main shaft multifunctional tilt back tire changer



技术参数 TECHNICAL DATA

JT-886

适用轮毂尺寸	outer clamp	14" -30"
最大轮胎宽度	Max.Wheel Width	400mm
最大轮胎直径	Max.Wheel Diameter	1140mm
工作气压范围	Air Supply	8-10bar
电机电压	Motor Parameters	110V/220V/380V
包装尺寸	Package Size	1100*980*860+1250*400*450 or 1100*1900*1760
产品重量	Product weight	400KG



主要特征 MAIN FEATURES



主轴压紧式轮胎固定，不会发生打滑现象，高档轮毂不易划伤。
The spindle compression tire is fixed without slipping, and the high-end wheel hub is not easy to scratch.



侧置式轮胎举升架，起升翻转一气呵成，轮胎上下轻松省力。
Side mounted tire lift, lifting and flipping in one go, making it easy and effortless to lift and lower the tires.



标配有无撬棍自动翻胎系统，免除撬棍，拆卸轮胎易如反掌。
Equipped with an automatic tire flipping system without a pry bar as standard, it eliminates the need for a pry bar and makes tire removal effortless.



标配全铝合金大气缸，避免因保养不当而造成气缸筒生锈与胶圈磨损，使用寿命更长久。
Equipped with a standard all aluminum alloy large cylinder, it avoids rusting of the cylinder barrel and wear of the rubber ring due to improper maintenance, and has a longer service life.



(选配) 可选配手持爆充。
(Optional) Handheld explosive charging is optional.



(选配) 可选配无极调速电机，轮胎旋转速度自由掌握，超控自如。
Comes standard with inflatable function tool box.

F-630 轮胎平衡机

Wheel Balancer

CE

标准型轮胎平衡机
standard wheel balancer



技术参数 TECHNICAL DATA

F-630

最大轮胎重量	Max.Wheel Weight	65KG
轮毂直径	Rim diameter	12" -24"
轮毂宽度	Rim width	1.5" -16"
平衡精度	Balance accuracy	±1g
平衡时间	Balance time	6-8s
噪音等级	Noise level	≤70dB
产品重量	Product weight	90kg
包装尺寸	Packaging size	760*980*1150mm



主要特征 MAIN FEATURES



全注塑工艺上罩，结实耐用。
Fully injection molded upper cover, sturdy and durable.



主轴自清零技术，可清除主轴自身不平衡量，使机器更加精准。
The spindle self resetting technology can clear the imbalance of the spindle itself, making the machine more accurate.



免调试双侧自学习校准。免去复杂的调试步骤，轻松几步令机器准确如初。
Debugging free double-sided self-learning calibration. Eliminate complex debugging steps and easily take a few steps to make the machine accurate as before.



(选配) 可选配摩托车夹具套装。
(Optional) Optional motorcycle fixture set.



(选配) 可选配注塑工艺超大尺寸护罩，遮挡泥水的同时防止铅块意外甩出伤人。并带有落罩启动功能。
(Optional) Optional injection molding process ultra large size cover, which can block mud and water while preventing accidental throwing of lead blocks and injuring people. And it has a hand start function.



标配附件。
Standard accessories.

F-640 轮胎平衡机

Wheel Balancer

红外线电磁刹车轮胎平衡机
infrared electromagnet wheel balancer

CE



技术参数 TECHNICAL DATA

F-640

最大轮胎重量	Max.Wheel Weight	65KG
轮毂直径	Rim diameter	12" -24"
轮毂宽度	Rim width	1.5" -16"
平衡精度	Balance accuracy	±1g
平衡时间	Balance time	6-8s
噪音等级	Noise level	≤70dB
产品重量	Product weight	90kg
包装尺寸	Packaging size	760*980*1160mm



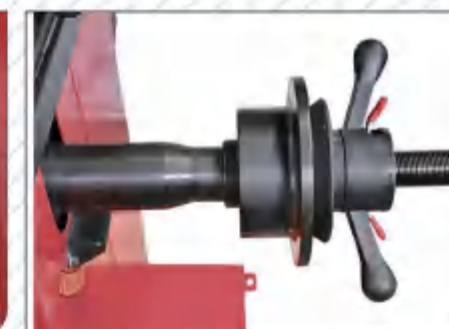
主要特征 MAIN FEATURES



超强复合结构箱体，右侧大尺寸加强支撑部分，平稳地面无需固定。
Super strong composite structure box, with a large-sized reinforced support part on the right side, ensuring a stable ground without the need for fixation.



6点位置红外线辅助快速贴铅，并带有LED照明灯。光线不足轻松应对。
Infrared assisted rapid lead pasting at 6 o'clock position, equipped with LED lighting. Dealing with insufficient light easily.



全自动电磁刹车，转动到不平衡点位，系统可自动锁定，方便操作。
Fully automatic electromagnetic brake, when rotated to the unbalanced position, the system can automatically lock for convenient operation.



(选配) 可选配摩托车夹具套装。
(Optional) Optional motorcycle fixture set.



(选配) 可选配注塑工艺超大尺寸护罩，遮挡泥水的同时防止铅块意外甩出伤人。并带有落罩启动功能。
(Optional) Optional injection molding process ultra large size cover, which can block mud and water while preventing accidental throwing of lead blocks and injuring people. And it has a hood start function.



标配附件。
Standard accessories.

F-650 轮胎平衡机

Wheel Balancer



中档型轮胎平衡机
midling wheel balancer



技术参数 TECHNICAL DATA

F-650

最大轮胎重量	Max.Wheel Weight	65KG
轮毂直径	Rim diameter	12" - 24"
轮毂宽度	Rim width	1.5" - 16"
平衡精度	Balance accuracy	± 1g
平衡时间	Balance time	6-8s
噪音等级	Noise level	≤ 70dB
产品重量	Product weight	90kg
包装尺寸	Packaging size	760*980*1160mm



主要特征 MAIN FEATURES



全金属可拆卸显示屏，左侧带有工具格，小尺寸箱体，出口装柜特殊尺寸设计。
All metal detachable display screen, with a tool compartment on the left side, a small-sized box, and a special size design for export container loading.



主轴自清零技术，可清除主轴自身不平衡量，使机器更加精准。
The spindle self-resetting technology can clear the imbalance of the spindle itself, making the machine more accurate.



免调试双侧自学习校准。免去复杂的调试步骤，轻松几步令机器准确如初。
Debugging free double-sided self-learning calibration. Eliminate complex debugging steps and easily take a few steps to make the machine accurate as before.



(选配) 可选配锥体反上系统，同型号轮胎装卸不用反复摘取锥体。
(Optional) Optional cone reverse system, no need to repeatedly remove the cone when loading and unloading tires of the same model.



(选配) 可选配注塑工艺超大尺寸护罩，遮挡泥水的同时防止铅块意外甩出伤人。并带有落罩启动功能。
(Optional) Optional injection molding process ultra large size cover, which can block mud and water while preventing accidental throwing of lead blocks and injuring people. And it has a hood start function.



标配附件。
Standard accessories.

F-660 轮胎平衡机

Wheel Balancer

CE

高档型全自动测量轮胎平衡机
high-grade fully automatic measure wheel balancer



技术参数 TECHNICAL DATA

F-660

最大轮胎重量	Max.Wheel Weight	65KG
轮毂直径	Rim diameter	12"-24"
轮毂宽度	Rim width	1.5"-16"
平衡精度	Balance accuracy	±1g
平衡时间	Balance time	6-8s
噪音等级	Noise level	≤70dB
产品重量	Product weight	90kg
包装尺寸	Packaging size	750*980*1160mm



主要特征 MAIN FEATURES



全金属可拆卸显示屏，左侧带有工具格，小尺寸箱体，出口装柜特殊尺寸设计。
All metal detachable display screen, with a tool compartment on the left side, a small-sized box, and a special size design for export container loading.



6点位置红外线辅助快速贴铅，并带有LED照明灯。光线不足轻松应对。
Infrared assisted rapid lead pasting at 6 o'clock position, equipped with LED lighting. Dealing with insufficient light easily.



全自动电磁刹车，转动到不平衡点位，系统可自动锁定，方便操作。
Fully automatic electromagnetic brake, when rotated to the unbalanced position, the system can automatically lock for convenient operation.



标配自动测量尺，读数快速准确，ALU-S拉尺辅助贴铅模式，极速贴铅。
Equipped with an automatic measuring ruler as standard, the reading is fast and accurate, and the ALU-S pull ruler assists in lead pasting mode, allowing for rapid lead pasting.



标配注塑工艺超大尺寸护罩，遮挡泥水的同时防止铅块意外甩出伤人。并带有落罩启动功能。
The standard injection molding process comes with a large-sized protective cover, which not only blocks mud and water but also prevents lead blocks from accidentally throwing out and injuring people. And it has a hood start function.



标配附件。
Standard accessories.

CP-W01 轮胎平衡机

Wheel Balancer



经典型轮胎平衡机
classics wheel balancer



技术参数 TECHNICAL DATA

CP-W01

最大轮胎重量	Max.Wheel Weight	65KG
轮毂直径	Rim diameter	12" -24"
轮毂宽度	Rim width	1.5" -16"
平衡精度	Balance accuracy	± 1g
平衡时间	Balance time	6-8s
噪音等级	Noise level	≤ 70dB
产品重量	Product weight	90kg
包装尺寸	Packaging size	760*980*1150mm



主要特征 MAIN FEATURES



全注塑工艺上罩，结实耐用。
Fully injection molded upper cover, sturdy and durable.



主轴自清零技术，可清除主轴自身不平衡量，使机器更加精准。
The spindle self resetting technology can clear the imbalance of the spindle itself, making the machine more accurate.



免调试双侧自学习校准。免去复杂的调试步骤，轻松几步令机器准确如初。
Debugging free double-sided self-learning calibration. Eliminate complex debugging steps and easily take a few steps to make the machine accurate as before.



(选配) 可选配锥体反上系统，同型号轮胎装卸不用反复摘取锥体。
(Optional) Optional cone reverse system, no need to repeatedly remove the cone when loading and unloading tires of the same model.



(选配) 可选配注塑工艺超大尺寸护罩，遮挡泥水的同时防止铅块意外甩出伤人。并带有落罩启动功能。
(Optional) Optional injection molding process ultra large size cover, which can block mud and water while preventing accidental throwing of lead blocks and injuring people. And it has a hood start function.



标配附件。
Standard accessories.

F-690 轮胎平衡机

Wheel Balancer

CE

卡车客车型轮胎平衡机
truck&bus wheel balancer



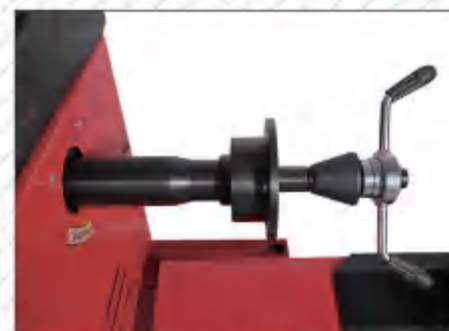
技术参数 TECHNICAL DATA

F-690

最大轮胎重量	Max.Wheel Weight	150KG
轮毂直径	Rim diameter	12" -24"
轮毂宽度	Rim width	1.5" -20"
平衡精度	Balance accuracy	±5g
平衡时间	Balance time	20-30s
噪音等级	Noise level	≤80dB
产品重量	Product weight	240kg
包装尺寸	Packaging size	1100*1130*1160



主要特征 MAIN FEATURES



加长加粗主轴，适用于大型卡车、轻卡、普通家用车等多种车型轮胎的动平衡。
Extended and thickened main shaft, suitable for dynamic balancing of tires for various vehicle models such as large trucks, light trucks, and ordinary household cars.



标配轮胎举升车，辅助大型轮胎安装上机。
Standard tire lift truck, assisting in the installation of large tires onto the machine.



全气动刹车，大型车轮胎快速刹停，节省时间。
Fully pneumatic brakes, fast braking of large car tires, saving time.



免调试双侧自学习校准。免去复杂的调试步骤，轻松几步令机器准确如初。
Debugging-free double-sided self-learning calibration. Eliminate complex debugging steps and easily take a few steps to make the machine accurate as before.



(选配) 可选配注塑工艺超大尺寸护罩，遮挡泥水的同时防止铅块意外甩出伤人。
(Optional) Optional injection molding process ultra large size cover, which can block mud and water while preventing accidental throwing of lead blocks and injuring people. And it has a hood start function.



标配附件。
Standard accessories.

CP-C13 汽车举升机

Car Lift



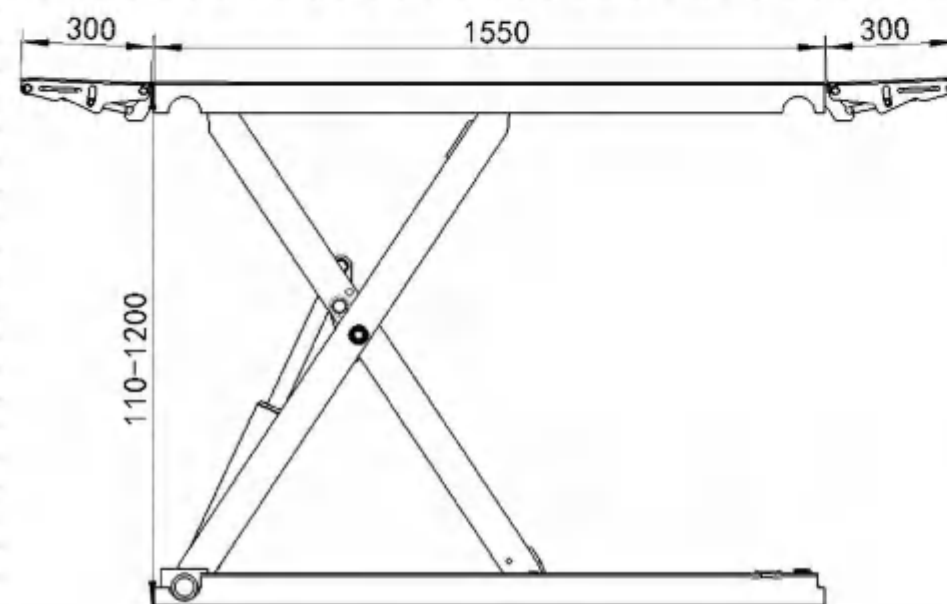
1.2米中位剪式汽车举升机
1.2metre middle-size Scissors car lift



技术参数 TECHNICAL DATA

CP-C13

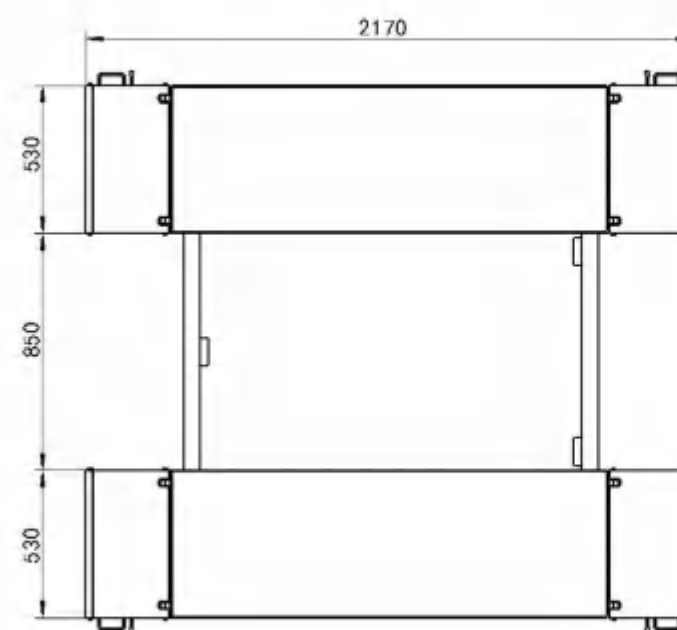
最大举升重量	Max.lifting capacity	4000kg	最大举升高度	Max.lifting height	1200mm
最低高度	Min.height	110mm	电机电压功率	Power	(110V/220V/380V)-2200W
举升速度	Lift speed	35s	降落速度	Landing speed	<50s
产品重量	Packaging	500KG			



70mm油缸匹配助升臂结构，低位举升轻松省力。
The 70mm oil cylinder is matched with a lifting arm structure, making low-level lifting easy and effortless.



全加强型上车板，上车板可作为延长平台独立支车，适用车型范围广。
Fully reinforced upper board, which can serve as an extended platform for independent support of vehicles, suitable for a wide range of vehicle models.



(选配) 可选配电动解锁。无需气源。
(Optional) Optional electric unloading. No gas source required.

CP-C14 汽车举升机

Car Lift



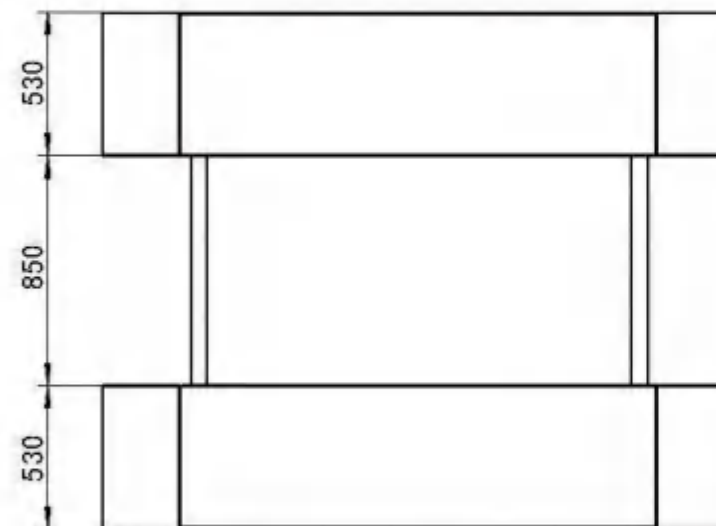
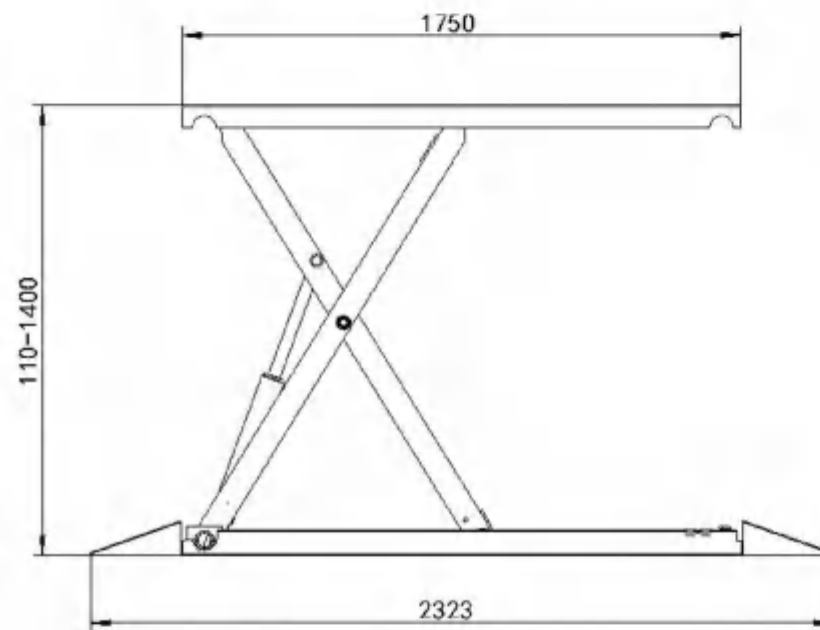
1.4米中位剪式汽车举升机
1.4metre middle-size Scissors car lift



技术参数 TECHNICAL DATA

CP-C14

最大举升重量	Max.lifting capacity	3500kg	最大举升高度	Max.lifting height	1400mm
最低高度	Min.height	110mm	电机电压功率	Power	(110V/220V/380V)-2200W
举升速度	Lift speed	35s	降落速度	Landing speed	< 50s
产品重量	Packaging	590kg			



四油缸结构，举升力量大，支撑稳定。
The four cylinder structure provides strong lifting force and stable support.



四独立上车板，主机可以藏地式安装，美观，便捷。
Four independent boarding boards. The host can be installed in a concealed manner, which is beautiful and convenient.



(选配) 可选配电动解锁，无需气源。
(Optional) Optional electric unlocking. No gas source required.

CP-C15 汽车举升机

Car Lift



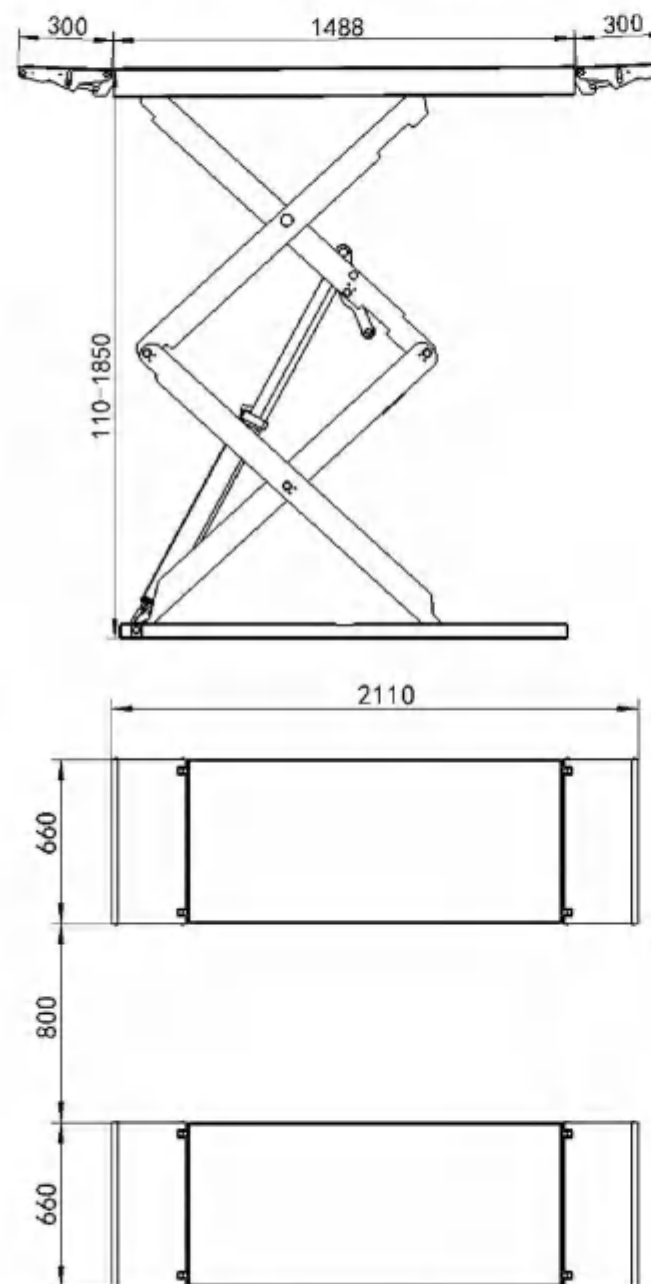
1.8米超薄剪式汽车举升机
1.8metre ultrathin Scissors car lift



技术参数 TECHNICAL DATA

CP-C15

最大举升重量	Max.lifting capacity	3500kg	最大举升高度	Max.lifting height	1850mm
最低高度	Min.height	110mm	电机电压功率	Power	(110V/220V/380V)-2200W
举升速度	Lift speed	35s	降落速度	Landing speed	<50s
产品重量	Packaging	530kg			



最低高度110mm，可地面安装或
藏地安装。
The minimum height is 110mm, and it can
be installed on the ground or hidden
underground.



全加强型上车板，上车板可作为
延长平台独立支车，适用车型范
围广。
Fully reinforced upper board, which can
serve as an extended platform for
independent support of vehicles, suitable
for a wide range of vehicle models.



四油缸液压互锁结构，配备气动
锁，双重保障。
Four cylinder hydraulic interlocking structure,
equipped with pneumatic lock, providing
dual protection.

CP-C16 汽车举升机

Car Lift



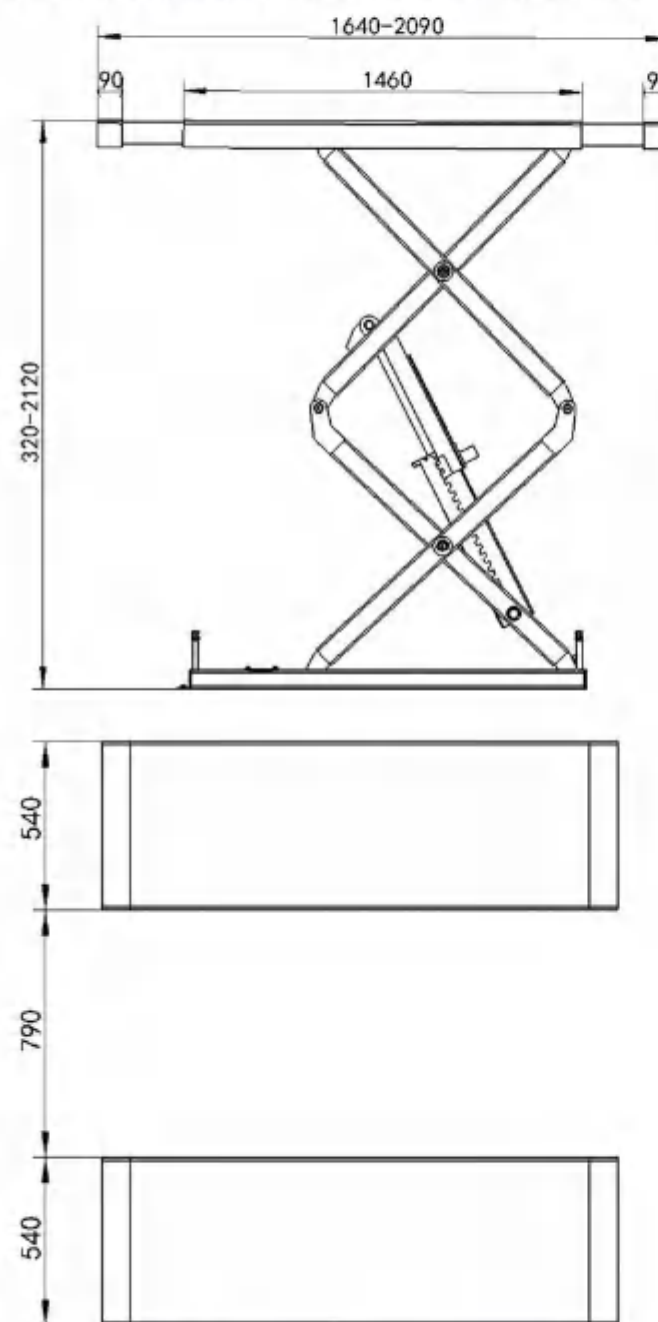
小型地藏剪式汽车举升机
small-scale ground hidden Scissors car lift



技术参数 TECHNICAL DATA

CP-C16

最大举升重量	Max.lifting capacity	3500kg	最大举升高度	Max.lifting height	2120mm
最低高度	Min.height	320mm	电机电压功率	Power	(110V/220V/380V)-2200W
举升速度	Lift speed	35s	降落速度	Landing speed	<50s
产品重量	Packaging	620kg			



双侧抽拉架，延长平台长度，匹配更多车型。
Double sided pull-out bracket, extending platform length to match more car models.



气动解锁，气管隐藏式走线。干净整洁。
Pneumatic unlocking, concealed wiring of the trachea. Clean and tidy.



全24V安全电压控制，带有行程开关。安全为本。
Fully 24V safe voltage control with travel switch. Safety is the foundation.

TC-1D

电动普通款真空胎拆装机 Electric ordinary vacuum tire removal machine

TECHNICAL DATA 技术参数



型号 Model	ZHDD-A
电压 Voltage	110V/220V/380V
电机功率 Motor Power	4KW
旋转速度 Rotational Speed	1周/10秒
适用轮胎 Suitable Tyre	980mm
装箱重量 Packing Weight	98KG
装箱尺寸 Pack Size	86*47*47CM

气动款真空胎拆装机 Pneumatic vacuum tire removal machine

TC-1Q

技术参数 TECHNICAL DATA

型号 Model	ZHQD-A
气压 Air Pressure	0.7-1.2MP
电机功率 Motor Power	4KW
旋转速度 Rotational Speed	3-4.5圈/分钟
适用轮胎 Suitable Tyre	980mm
装箱重量 Packing Weight	83KG
装箱尺寸 Pack Size	67*46.5*46CM



电动单气缸款真空胎拆装机 Electric single cylinder vacuum tire removal machine

TC-2D

技术参数 TECHNICAL DATA

型号 Model	ZHDD-B
电压 Voltage	110V/220V/380V
电机功率 Motor Power	4KW
旋转速度 Rotational Speed	1周/10秒
适用轮胎 Suitable Tyre	980mm
装箱重量 Packing Weight	112KG
装箱尺寸 Pack Size	86*47*53CM



TC-1QZ 气动(折叠臂款)真空胎拆装机 Pneumatic (folding arm) vacuum tire removal machine

TECHNICAL DATA 技术参数



型号 Model	ZHDD-C
气压 Air Pressure	0.7-1.2MP
电机功率 Motor Power	4KW
旋转速度 Rotational Speed	3-4.5圈/分钟
适用轮胎 Suitable Tyre	980mm
装箱重量 Packing Weight	83KG
装箱尺寸 Pack Size	110*68.5*67.5CM

TC-3D

电动三气缸款真空胎拆装机 Electric three cylinder vacuum tire changer

TECHNICAL DATA 技术参数



型号 Model	ZHDD-C
电压 Voltage	110V/220V/380V
电机功率 Motor Power	4KW
旋转速度 Rotational Speed	1周/10秒
适用轮胎 Suitable Tyre	980mm
装箱重量 Packing Weight	180KG
装箱尺寸 Pack Size	110*68.5*67.5CM

气动单气缸款真空胎拆装机 Pneumatic single cylinder vacuum tire removal machine

TC-2Q

技术参数 TECHNICAL DATA

型号 Model	ZHQD-B
气压 Air Pressure	0.7-1.2MP
电机功率 Motor Power	4KW
旋转速度 Rotational Speed	3-4.5圈/分钟
适用轮胎 Suitable Tyre	980mm
装箱重量 Packing Weight	115kg
装箱尺寸 Pack Size	74.5*47*53CM



ML-1 电动液压摩托车举升机

Electric hydraulic motorcycle lift

技术参数 TECHNICAL DATA



平台尺寸 Platform size	2200*800mm	最小起吊高度 Minimum lifting height	190mm
最大起吊高度 Maximum lifting height	1150mm	容量 Capacity	600KG
机器总高度 Total machine height	1900mm	功率 Power	0.75kw

ML-2 气动摩托车举升机

Pneumatic motorcycle lift

技术参数 TECHNICAL DATA



平台尺寸 Platform size	200*60cm	最小起吊高度 Minimum lifting height	190mm
最大起吊高度 Maximum lifting height	780mm	容量 Capacity	200KG
机器总高度 Total machine height	1500mm		

技术参数 TECHNICAL DATA

ML-1W 电动液压摩托车举升机

Widening electric hydraulic motorcycle lift



平台尺寸 Platform size	2200*1400mm	最小起吊高度 Minimum lifting height	190mm
最大起吊高度 Maximum lifting height	1150mm	容量 Capacity	800KG
适用范围 Scope of application	用于三轮车/For tricycles		

ML-3 机械式摩托车举升机

Mechanical motorcycle lift

技术参数 TECHNICAL DATA



平台尺寸 Platform size	2000*600mm	最小起吊高度 Minimum lifting height	190mm
最大起吊高度 Maximum lifting height	1040mm	容量 Capacity	300KG
机器总高度 Total machine height	1900mm		

CP-C01双柱举升机 (出口型)

CP-C01 Two Post Lift (For Export)

● ● ● 颜色可选

 保险公司承保



板式结构
STRONG CARRIAGE AND
AMR STRUCTURE



抽拉支臂、可调节螺旋托盘
ROUND SCREW-UP LIFTING PAD
AND STRAIGHT ARM



支臂安全锁
ARM LOCK SYSTEM



121节4×4链条(世界免检)
4/4 121 SECTIONING CHINA(STATE
INSPECTION EXEMPTION PRODUCT)

产品卖点

Selling Point

● 双柱举升机是一种比较先进的汽车保养设备，主要用于4000公斤以下的各种小型汽车的快速修理及保养，替代了旧式地沟修理的缺点，具有占地小、投资少、效率高的优点，是现代汽车修理行业的理想维修设备。

Two post lift is relatively advanced vehicle maintenance equipment, mainly used for the following 4000kg of various small car rapid repair and maintenance, replacing the old trench repair shortcomings, with an area of small investment. Of the advantages of modern auto repair industry is the ideal maintenance equipment.

● 立柱采用足5mm厚钢板，立柱不扭曲，不变形，安全性能高。

Column height of 5mm thick steel plate, column is not distorted, no deformation, high safety performance.

● 采用高品质油缸，油缸质保2年，质保期内泄压漏油或免费换新的。

The use of high-quality fuel tank, cylinder warranty

● 传动链条采用单根121节4×4盾牌链条，国家知名品牌世界免检产品。

Transmission chain with a single 121 4 × 4 shield chain, the world famous brand-free products in the world.

● 动力单元采用纯铜芯电机国际知名品牌，延长使用寿命。

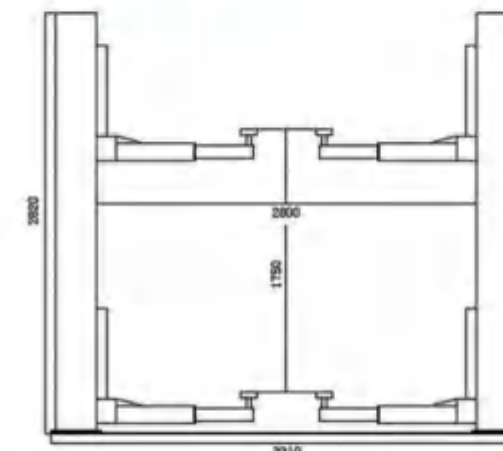
Power unit uses pure copper core motor international famous brands, long service life.

● 保险锁上升时自动上锁，保证上升时的安全可靠。

When the security lock is locked, it is automatically locked to ensure the safety and reliability.

技术参数

Technical data



立柱高度	Overall height	2820mm
举升重量	Lifting capacity	4000KG
举升高度	Lifting height	1750mm
升降时间	Lifting time	45-60s
电压	Pouer	220v/380v
驱动方式	System	电动液压 / Electric hydraulic
整机重量	Net.weight	570KG

网址: www.ykhdkj.com

CP-C02双柱举升机

CP-C02 two post lift

● ● ● 颜色可选



保险公司承保



管式结构
TUBULAR STRONG AND ARM
CARRIAGE STRUCTURE



121节4×4链条(世界免检)
4*4 121 SECTING CHINA(STATE
INSPECTION EXEMPTION PRODUCT)



抽拉支臂、可调节螺旋托盘
ROUND SCREW-UP LIFTING PAD
AND STRAIGHT ARM

产品卖点

Selling Point

● 双柱举升机是一种比较先进的汽车保养设备，主要用于4000公斤以下的各种小型汽车的快速修理及保养，替代了旧式地沟修理的缺点，具有占地小、投资少、效率高的优点，是现代汽车修理行业的理想维修设备。

The 2-post lift is a kind of more advanced car maintenance equipment, mainly used for 4000kg of the following small car rapid repair and maintenance, replacing the old trench repair shortcomings, with an area of small investment. with the advantages of modern auto repair industry is the ideal maintenance equipment.

● 立柱采用足5mm厚钢板，立柱不扭曲，不变形，安全性能高。

Column with 5mm thick-ness steel plate, will is not distorted, no deformation, high safety performance.

● 采用高品质油缸，油缸质保2年，质保期内泄压漏油或免费换新缸。

The use of high-quality fuel tank, fuel tank with warranty 2 years, the warranty period of pressure relief oil free replacement cylinder.

● 传动链条采用单根121节4×4盾牌链条，国家知名品牌世界免检产品。

Transmission chain with a single 121 4 × 4 shield chain, the world famous brand-free products in the world.

● 动力单元采用纯铜芯电机国际知名品牌。

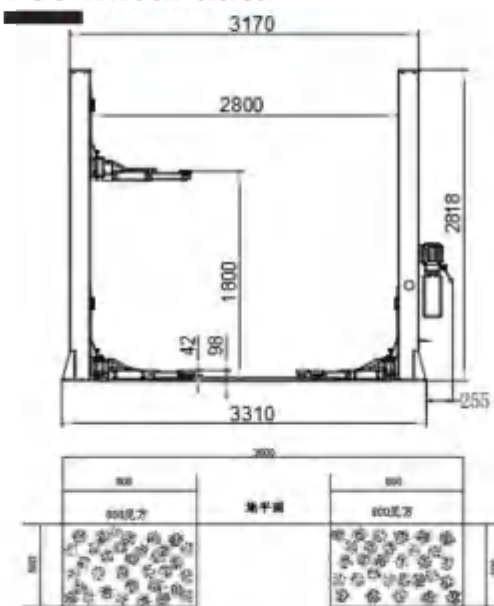
Power unit using international famous brands with pure copper core motor .

● 保险锁上升时自动上锁，保证上升时的安全。

When the security lock is locked, it is automatically locked to ensure the safety and reliability .

技术参数

Technical data



立柱高度	Overall height	2820mm
举升重量	Lifting capacity	4000KG
举升高度	Lifting height	1750mm
升降时间	Lifting time	45-60s
电压	Motor	2.2kw 220v/380v
驱动方式	Drive mode	电动液压 / Electric hydraulic
整机重量	Weight	530KG/565KG

CP-C03单边手动解锁双柱举升机

CP-C03 single lock release system

● ● ● 颜色可选  保险公司承保



板式结构
TUBULAR STRONG AND ARM
CARRIAGE STRUCTURE



121节4×4链条(世界免检)
4*4 121 SECTION CHINA(STATE
INSPECTION EXEMPTION PRODUCT)



单边手动解锁
SINGLE LOCK RELEASE SYSTEM

产品卖点

Selling Point

● 双柱举升机是一种比较先进的汽车保养设备，主要用于4000公斤以下的各种小型汽车的快速修理及保养，替代了旧式地沟修理的缺点，具有占地小投资少效率高的优点，是现代汽车修理行业的理想维修设备。

The 2-post lift is a kind of more advanced car maintenance equipment, mainly used for 4000kg of the following small car rapid repair and maintenance, replacing the old trench repair shortcomings, with an area of small investment. with the advantages of modern auto repair industry is the ideal maintenance equipment.

● 立柱采用足5mm厚钢板，立柱不扭曲，不变形，安全性能高。

Column with 5mm thick-ness steel plate, will is not distorted, no deformation, high safety performance.

● 采用高品质油缸，油缸质保2年，质保期内泄压漏油或免费换新缸。

The use of high-quality fuel tank, fuel tank with warranty 2 years, the warranty period of pressure relief oil free replacement cylinder.

● 传动链条采用单根121节4×4盾牌链条，国家知名品牌世界免检产品。

Transmission chain with a single 121 4 × 4 shield chain, the world famous brand-free products in the world.

● 动力单元采用纯铜芯电机国际知名品牌。

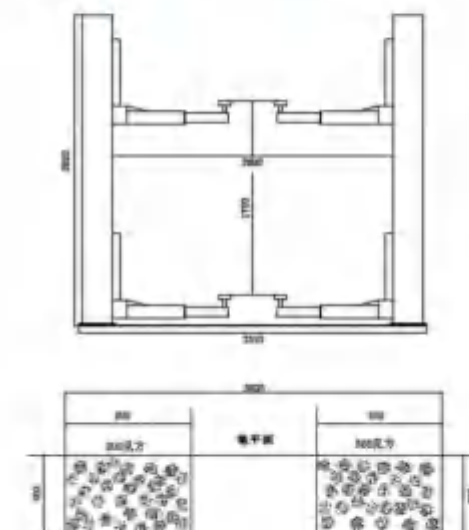
Power unit using international famous brands with pure copper core motor .

● 单边手动解锁，保险锁上升时自动上锁，保证上升时的安全。

Single lock release system When the security lock is locked, it is automatically locked to ensure the safety and reliability .

技术参数

Technical data

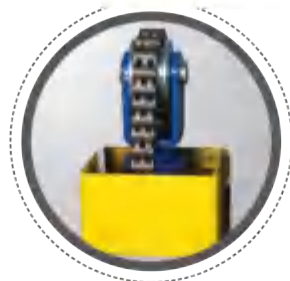


立柱高度	Overall height	2820mm
举升重量	Lifting capacity	4000KG
举升高度	Lifting height	1750mm
升降时间	Lifting time	45-60s
电压	Motor	2.2kw 220v/380v
驱动方式	Drive mode	电动液压 / Electric hydraulic
整机重量	Weight	530KG/565KG

CP-C04龙门举升机

CP-C04 two post lift clean floor

● ● ● 颜色可选  保险公司承保



121节4×4链条(世界免检)
4*4 121 SECTING CHINA(STATE INSPECTION EXEMPTION PRODUCT)



管式结构
TUBULAR STRONG AND ARM CARRIAGE STRUCTURE



螺旋托盘
ROUND SCREW-UP LIFTING PAD

产品卖点 Selling Point

● 龙门举升机是一种比较先进的汽车保养设备，主要用于4000公斤以下的各种小型汽车的快速修理及保养，替代了旧式地沟修理的缺点，具有占地小、投资少、效率高等优点，是现代汽车修理行业的理想维修设备。

Two post lift clean floor is relatively advanced vehicle maintenance equipment, mainly used for the following small 4000 kg of various small car rapid repair and maintenance, replacing the old trench repair shortcomings, with an area of small. High efficiency, is the modern automobile repair industry ideal maintenance equipment.

● 立柱高采用5mm厚钢板，立柱不扭曲，不变形，安全性能高。

Column height of 5mm thick steel plate, column is not distorted, no deformation, high safety performance.

● 采用高品质油缸，油缸质保2年，质保期内泄压漏油或免费换新缸。

The use of high-quality fuel tank, fuel tank warranty 2 years, the warranty period of pressure relief oil free replacement cylinder.

● 传动链条采用单根121节4×4盾牌链条，国际知名品牌，世界免检产品。

Transmission chain with a single 121 4 × 4 shield chain, the international famous brands.

● 动力单元采用纯铜芯电机国际知名品牌。

Power unit using pure copper core motor international famous brands.

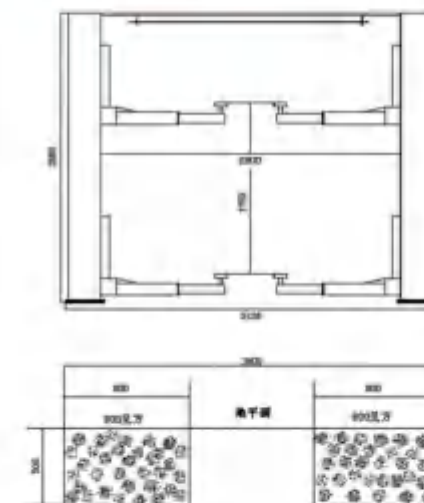
● 保险锁上升时自动上锁，保证上升时的安全。

When the insurance lock is locked, it will be locked automatically when it is ascending.

● 双柱间有横梁连接，带限位装置，保证安全断电。

Between the two columns with a beam connection, with a limit device to ensure safe power.

技术参数 Technical data



立柱高度	Overall height	3660mm
举升重量	Lifting capacity	4000KG
举升高度	Lifting height	1750mm
升降时间	Lifting time	45-60s
电压	Motor	2.2kw 220v/380v
驱动方式	Drive mode	电动液压 / Electric hydraulic
整机重量	Weight	570KG

CP-C05龙门举升机

CP-C05 two post lift clean floor

● ● ● 颜色可选  保险公司承保



121节4×4链条(世界免检)
4'4 121 SECTING CHINA(STATE
INSPECTION EXEMPTION PRODUCT)



板式结构
STRONG CARRIAGE AND
AMR STRUCTURE



支臂安全锁
ARM LOCK SYSTEM



螺旋托盘
ROUND SCREW-UP LIFTING PAD

产品卖点 Selling Point

● 龙门举升机是一种比较先进的汽车保养设备，主要用于4000公斤以下的各种小型汽车的快速修理及保养，替代了旧式地沟修理的缺点，具有占地小、投资少、效率高等优点，是现代汽车修理行业的理想维修设备。

Two post lift clean floor is relatively advanced vehicle maintenance equipment, mainly used for the following small 4000 kg of various small car rapid repair and maintenance, replacing the old trench repair shortcomings, with an area of small. High efficiency, is the modern automobile repair industry ideal maintenance equipment.

● 立柱高采用5mm厚钢板，立柱不扭曲，不变形，安全性能高。

Column height of 5mm thick steel plate, column is not distorted, no deformation, high safety performance.

● 采用高品质油缸，油缸质保2年，质保期内泄压漏油或免费换新缸。

The use of high-quality fuel tank, fuel tank warranty 2 years, the warranty period of pressure relief oil free replacement cylinder.

● 传动链条采用单根121节4×4盾牌链条，国际知名品牌，世界免检产品。

Transmission chain with a single 121 4 × 4 shield chain, the international famous brands.

● 动力单元采用纯铜芯电机国际知名品牌。

Power unit using pure copper core motor international famous brands.

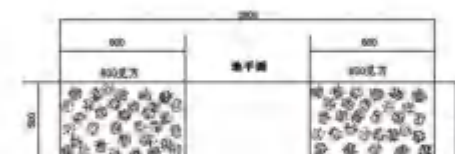
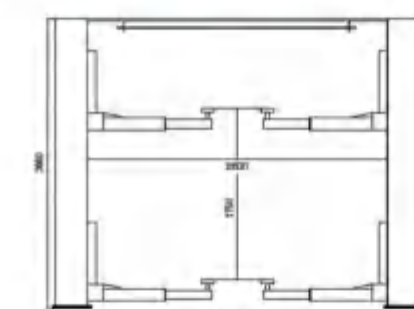
● 保险锁上升时自动上锁，保证上升时的安全。

When the insurance lock is locked, it will be locked automatically when it is ascending.

● 双柱间有横梁连接，带限位装置，保证安全断电。

Between the two columns with a beam connection, with a limit device to ensure safe power.

技术参数 Technical data



立柱高度	Overall height	3660mm
举升重量	Lifting capacity	4000KG
举升高度	Lifting height	1750mm
升降时间	Lifting time	45-60s
电压	Motor	2.2kw 220v/380v
驱动方式	Drive mode	电动液压 / Electric hydraulic
整机重量	Weight	570KG

CP-C06 四柱举升机

CP-C06 four post lif

●●● 颜色可选  保险公司承保



			
可伸缩滑动二次举升小车 EXTENDED TOP BEAM MAKES OPTIMAL POSITIONING OF PICK-UP POINTS OF WIDER VEHICLES	纯铜芯动力单元 POWER UNITS (PURE COPPER CORE)	手动解锁, 更安全 MANUAL LOCK SYSTEM	自动断电限位装置 LIMIT SWITCH

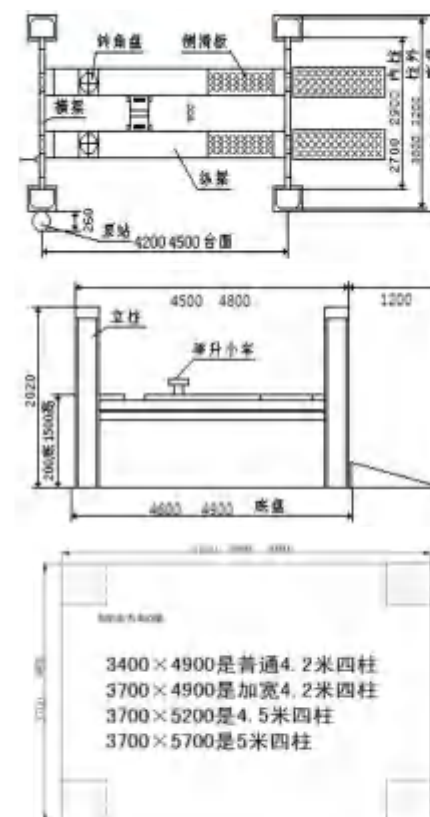
产品卖点 Selling Point

本机经过精心设计, 结构合理, 安全可靠, 工作台液压驱动, 操作方便, 噪音低。纵梁间距可调, 适用于不同车型, 是汽车维修.汽车保养.四轮定位工作的理想设备。

The machine has been carefully designed, reasonable structure, safe and reliable, the table hydraulic drive, easy operation, low noise. Adjustable spacing between the longitudinal beams, suitable for different models, is the vehicle maintenance has Wheel alignment function.

1. 动力单元采用纯铜芯电机国际知名品牌。
1. Power unit using pure copper core motor international famous brands.
2. 油缸质保2年, 质保期内泄压漏油免费换新缸。
2. Cylinder warranty for 2 years, the warranty period of pressure relief oil free replacement cylinder.
3. 双重保险, 边上升边自锁, 钢丝绳同时断裂车辆也不会下落, 手动解锁, 安全系数更高。
3. Double insurance, while rising edge of self-locking, wire rope fracture at the same time the vehicle will not fall, manually unlock, a higher safety factor.
4. 平台采用国标槽钢, 更坚固。
4. The platform uses the national standard channel steel.
5. 二次举升小车设计合理, 自由滑动。
5. The second lifting car design is reasonable, free sliding.

技术参数 Technical data



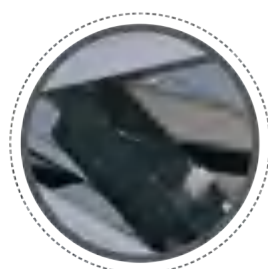
举升重量	Lifting capacity	4000KG/5000KG
一次举升高度	Lifting height	1500mm
二次举升高度	Second lifting height	450mm
平台长度	Platform length	4200mm/4500mm/5000mm
平台宽度	Platform Width	550mm
电源	Power supply	220V—380V
电机功率	Motor Power	2.2KW
额定油压	Rated hydraulic pressure	18MPA
整机重量	Weight	1186KG/1210KG/1300KG

注: 根据用户要求可供不同电压和功率产品。(具体参数见设备标牌)
Note: According to user requirements for different voltage and power products.

CP-C07地藏子母剪式举升机

CP-C07 ALIGNMENT SCISSOR LIFT (IN GROUND)

● ● ● 颜色可选  保险公司承保 CE认证



安全保护装置
ANTI-ABRASION SLIDER
SAFETY DEVICE



滑轮式轨道
PULLEY TRACK

产品卖点 Selling Point

● 子母剪式举升机适用于小型汽车做四轮定位及车辆检测维修与保养，本机主要液压部件选用优质进口元器件组装而成，采用双齿、液压和电器三重保护，安全、可靠，运行同步平稳。

The main hydraulic components are made of imported high-quality components, with double-tooth hydraulic and electrical triple protection, safe, reliable, easy to operate, easy to operate, easy to operate, Running smoothly.

● 采用地藏子母式结构，占地空间小。

Using of underground, small footprint.

● 气动解锁，安全可靠。

Electric unlock, safety and reliable.

● 液压系统采用先进的集成阀板油路和进口密封件。

Hydraulic system uses advanced integrated valve plate oil and imported seals.

● 停电时亦可采用手动将汽车安全下降驶出。

Power failure can also be used to manually drop the car safety exit.

● 平台采用纯国标120mm槽钢组成。

The platform is made of pure GB standard 120mm channel steel.

● 油缸2年质保，质保期内卸压漏油或免费换新的。

Cylinder 2-year warranty, the warranty period of pressure relief oil free replacement.

● 动力单元采用纯铜芯电机国际知名品牌。

Power unit with pure copper core motor international famous brands.

● 支臂采用国标方管结构，不扭曲、不变形，稳定性极高。

The arms using the national standard square tube structure, not distorted. No deformation, high stability.

技术参数 Technical data



举升重量	Lifting capacity	4000KG
举升高度	Lifting height	1750mm—table: 450mm
举升时间	Lifting time	50s
平台长度	Platform length	4200mm / 4500mm
平台宽度	Platform width	600mm
电机功率	Motor power	2.2KW-380V/220V
额定油压	Rated oil pressure	220KG / Cm
气源压力	Air supply pressure	6-8KG / Cm
整机重量	Netw./Gross.w.	1800KG / 1820KG

CP-C08地藏滑车剪式举升机

CP-C08 ALIGNMENT SCISSOR LIFT (IN GROUND)

● ● ● 颜色可选  保险公司承保 CE认证



安全保护装置
ANTI-ABRASION SLIDER
SAFETY DEVICE



电动液压滑车
ELECTRICALLY CONTROLLED
JACKING BEAMS



抽拉支臂、可调节螺旋托盘
ROUND SCREW-UP LIFTING PAD
AND STRAIGHT ARM

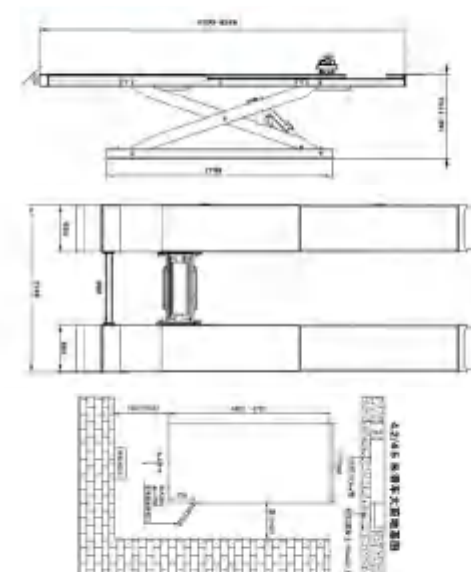


侧滑板采用沙粒式设计
BEARING SLIP PLATE

产品卖点 Selling Point

- 地藏滑车剪式举升机适用于小型汽车做四轮定位及车辆检测维修与保养，本机主要液压部件选用优质进口元器件组装而成，采用双齿、液压和电器三重保护，安全可靠，运行同步平稳。
In-ground scissor lift for small cars to do maintenance and repair, The main hydraulic components of the machine selection of high-quality imported components assembled, Using double teeth, hydraulic, electrical appliances to protect, so the lift will be safe. Reliable, smooth operation.
- 采用地藏滑车式结构，占地空间小。
Small footprint.
- 气动解锁，安全可靠。
Electric unlock, safe and reliable.
- 液压系统采用先进的集成阀板油路和进口密封件。
The hydraulic system uses advanced integrated valve plate oil and imported seals parts.
- 停电时亦可采用手动将汽车安全下降驶出。
Power failure can also be used manually to reduce the safety of the car.
- 平台采用纯国标120mm槽钢组成。
Platform with pure GB 120mm channel composition.
- 油缸2年质保，质保期内卸压漏油免费换新缸。
The Cylinder 2 years warranty, cylinder still under warranty if appears oil spill, will be free replacement cylinder.
- 动力单元采用纯铜芯电机国际知名品牌。
Power unit with pure copper core motor international famous brands.
- 支臂采用国标方管结构，不扭曲、不变形，稳定性极高。
Arm with the national standard square tube structure, not twisted. No deformation, high stability.

技术参数 Technical data



举升重量	Lifting Capacity / Jack Lifting Capacity	一次4000KG 二次2500KG
举升高度	Max Lifting Height / Jack Lifting Height	1750/550mm
举升时间	Lifting Time	50s-60s
电源及电机	Electricity Supply	220v/380v
平台长度	Platform length	4200mm / 4500mm
平台宽度/总宽度	Platform Width/Overall width of paleform	600mm/2140mm
气源压力	Air Supply	0.6~0.8MPA
整机重量	Weight	1750kg

CP-C09 超薄滑车剪式举升机

CP-C09 Ultra-thin scissor lift



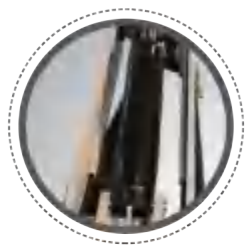
颜色可选



保险公司承保



电动液压滑车
ELECTRICALLY CONTROLLED
JACKING ARMS



加粗油缸, 动力更强力
USE A MORE ROBUST CYLINDER
TO ENSURE MORE
POWER AND SERVICE LIFE



滑块式轨道
PULLEY TRACK

产品卖点

Selling Point

● 超薄大剪式举升机适用于各种档次的小型汽车专业高精度四轮定位及车辆检测维修与保养。本机主要液压部件选用国际优质进口件组装而成, 采用双齿. 液压和电器三重保护, 安全. 可靠, 运行同步平稳。本机由主体平板. 液压系统. 电气系统三个部分组成。

Super low profile and perfect for ground mounted; Suitable for any alignment turntable. The main hydraulic components of the machine are assembled by international high quality imported parts, which is double-tooth, hydraulic and electrical triple protection, safe, reliable and stable running. This machine is composed of three parts: main body plate, hydraulic system and electrical system.

● 气动解锁, 安全可靠。

Electric unlock, safety and reliable.

● 液压系统采用先进的集成阀板油路和进口密封件。

Hydraulic system uses advanced integrated valve plate oil and imported seals.

● 停电时亦可采用手动将汽车安全下降驶出。

Power failure can also be used manually to the safety of vehicles dropping out.

● 油缸2年质保, 质保期内卸压漏油或免费换新缸。

Cylinder 2-year warranty, quality assurance period of pressure relief oil free replacement cylinder.

● 动力单元采用纯铜芯电机国际知名品牌。

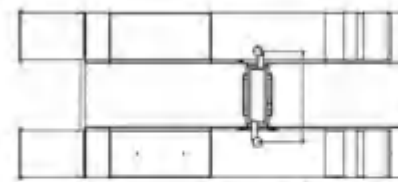
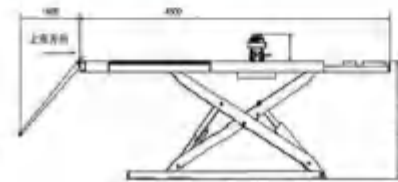
Power unit using pure copper core motor international famous brands.

● 采用隐藏剪式超薄结构, 无需施工地坑, 占地空间小。

The use of hidden scissors super Low structure, no construction pit, small footprint.

技术参数

Technical data



举升能力	Lifting capacity	4000KG
举升高度	Lifting height	1750mm
举升时间	Lifting time	≤60s
平台长度	Platform length	4500mm
平台宽度/总宽度	Platform Width/Overall width of platform	630mm/2160mm
电机功率	Motor power	2.2KW/220V/380V
落地高度	Floor height	220mm
气源压力	Air supply pressure	6-8KG/cm
整机重量	Weight	2200KG/2320KG

CP-C10超薄子母剪式举升机

CP-C10 Ultra-thin scissor lift



颜色可选



保险公司承保

CE认证



助力装置



加粗油缸，动力更强力
USE A MORE ROBUST CYLINDER IN
ORDER TO ENSURE MORE
POWER AND SERVICE LIFE



人性化可移动扣盒

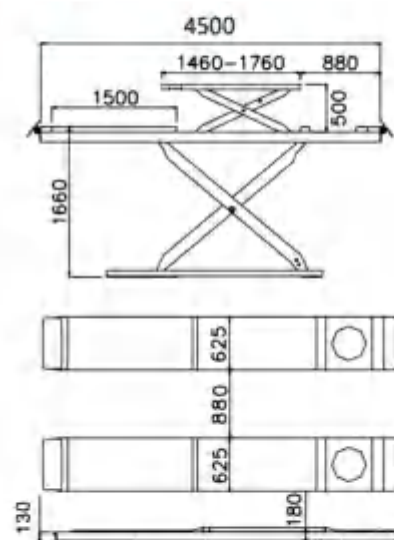
产品卖点

Selling Point

- 1.超薄式双层子母结构，降低时厚度只有180mm。
Super low profile and perfect for ground mounted; Suitable for any alignment turntable. The main hydraulic components of the machine are assembled by international high quality imported parts, which is double-tooth, hydraulic and electrical triple protection, safe, reliable and stable running. This machine is composed of three parts: main body plate, hydraulic system and electrical system.
1. Electric unlock, safety and reliable.
- 2.意大利技术设计制造。
2. Hydraulic system uses advanced integrated valve plate oil and imported seals.
- 3.整机6油缸设计，液压同步，双液压系统，液压锁和机械三重保险装置，下降自动解锁。
3. Power failure can also be used manually to the safety of vehicles dropping out.
- 4.24V安全控制电器。
4. Cylinder 2-year warranty, quality assurance period of pressure relief oil free replacement cylinder.
- 5.桥板采用整板折弯焊接而成，更精密，更牢固。
5. Power unit using pure copper core motor international famous brands.
- 6.油缸部件采用高转速全自动CNC数控车床加工而成，保证了优秀的同心度和光洁度，缸桶滚压镜面处理。
6. The use of hidden scissors super Low structure, no construction pit, small footprint.
- 7.日本密封件，意大利球阀，装有液压防爆装置。
- 8.采用激光等数控设备切割，尺寸精确，切口平整，光洁度高。
- 9.X架采用优质合金钢，激光切割而成，实心钢板，强度高，耐腐蚀，不易变形。
- 10.液压系统采用先进的集成阀板油路和进口密封件。
- 11.所有轴的位置均有耐磨轴承，高分子耐磨滑块。
- 12.动力单元采用纯铜芯电机国际知名品牌。

技术参数

Technical data



举升能力	Lifting capacity	4000KG
举升高度	Lifting height	1800mm
举升时间	Lifting time	≤75s-20s
平台长度	Platform length	4500mm
平台宽度	Platform Width	660mm
电机功率	Motor power	3KW
落地高度	Floor height	180mm
气源压力	Air supply pressure	6-8KG/cm
整机重量	Weight	2380KG

CP-C11移动低位剪式举升机

CP-C11 MOVE MID-RISE SCISSOR LIFT

● ● ● 颜色可选



保险公司承保

CE认证



产品卖点

Selling Point

- 低位剪式举升机适用于小型汽车快修与保养，本机主要液压部件选用优质进口元器件组装而成，采用双齿、液压和电器三重保护，安全可靠，运行同步平稳。
In-ground scissor lift for small cars to do four-wheel positioning and vehicle testing and maintenance and repair, The main hydraulic components of the machine selection of high-quality imported components assembled, Using double teeth, hydraulic, electrical appliances to protect, so the lift will be safe and Reliable, smooth operation.
 - 采用剪式超薄结构，无需施工地坑，占地空间小。
Slim scissor lift design, Small footprint.
 - 具有较低的工作平台，配有上车引桥，适合快修与保养。
With a lower working platform, with car get on board, suitable for fast Car repair and maintenance.
 - 独立控制箱，低压控制，安全性能好。
control box, low pressure control, good safety performance.
 - 采用双缸驱动，机械同步。
Using double-cylinder drive, mechanical synchronization.
 - 配置安全机械锁，确保举升机在不同的高度时得到绝对的安全保护。
Configure the safety lock bar to ensure that the lift at different heights of the security.
 - 可移动泵站，电控气动解锁，移动灵活方便。
Movable pump station, electronic control pneumatic unlock, mobile flexible and convenient.
 - 移动装置可选配，方便操作者使用。
The mobile device is available for easy operation.
 - 动力单元采用纯铜芯电机国际知名品牌。
Power unit with pure copper core motor international famous brands.
- 6130DF型号采用分体式设计，减少包装尺寸，便于出口。

技术参数

Technical data

举升重量	Lifting capacity	3000KG
举升高度	Lifting height	1000mm / 1200mm
落地高度	Min height	110mm
举升时间	Lifting time	30S
平台长度/平台总长度	Overall length of platform	1400mm-1940mm
平台宽度	width of paltform	520mm
平台总宽度	Overall width of paltform	1840mm
平台间宽度	Width between paltform	800mm
电机功率	Motor power	2.2KW-380V/220V
气源压力	Air supply	0.6-0.8MPA
重量	weight	630KG

CP-C12四柱标准停车位

CP-C12 FOUR POST PARKING LIFT

● ● ● 颜色可选

 保险公司承保



纯铜芯动力单元
POWER UNITS
(COPPER CORE)



手动解锁, 更安全
MANUAL LOCK SYSTEM



自动断电限位装置
LIMIT SWITCH



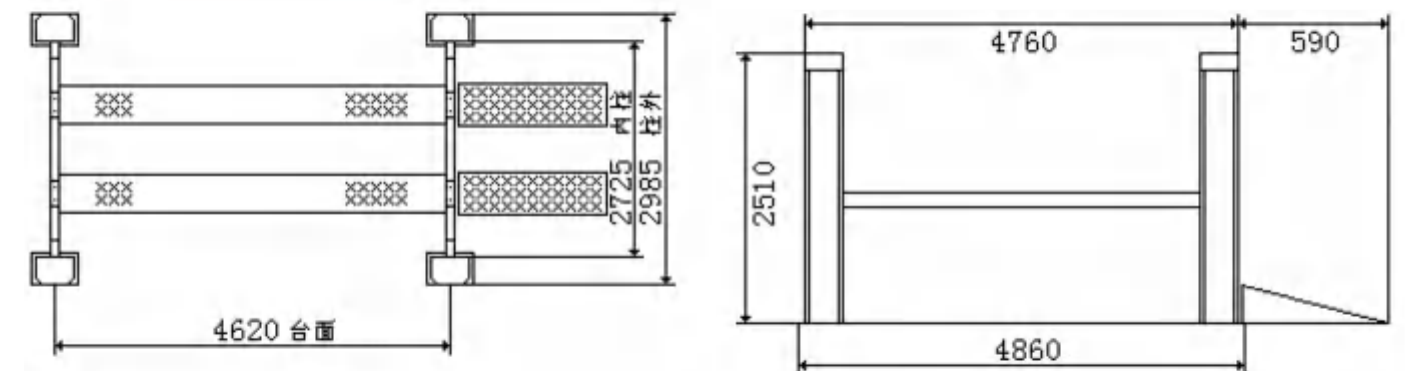
双重保险装置
DOUBLE SAFETYH DEVICE

产品特点 Selling Point

● 本机经过精心设计, 结构合理, 安全可靠, 工作台液压驱动, 操作方便, 噪声低。纵梁间距可调, 适应不同车型停车的理想设备。

The machine well—designed reasonable strucre,safety and reliable,hydraulic drive,easy operation,low noise.longitudinal beam spacing adjustable,adapt todifferent vehicle's ideal parking equipment.

技术参数 Technical data



最大举升重量	Max.lifting weight	4000kg
举升高度	Lifting	2000mm
平台长度	Platform length	4500mm
平台宽度	Platform width	550mm
电源	Power	220V-380V
电机功率	Motor power	2.2KW
额定油压	Rated oil pressure	18MPa
整机重量	Overall weight	1120kg

注: 根据用户要求可供不同电压和功率产品。(具体参数见设备标牌)

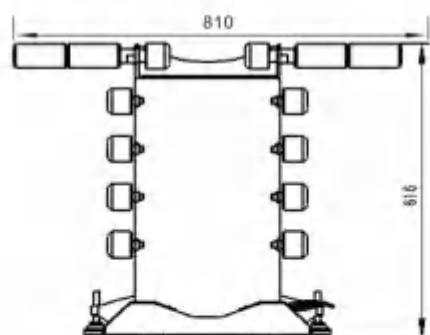
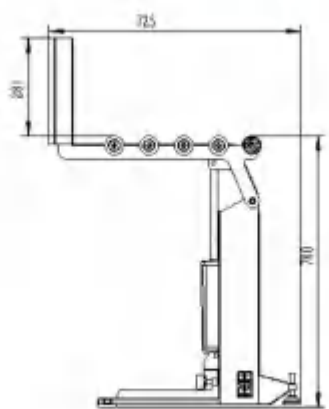
Note: According to user requirements for different voltage and power products.

HD-T18 扒胎机轮胎托胎器

产品特点 Product Features

适用于所有扒胎机，最大辅助举升重量80KG，举升高度780mm，气动举升方便快捷，减少劳动强度。配备移动轮子，可移动使用，省时省力，美观大方。

包装尺寸：620×520×710
自重40Kg 毛重50Kg

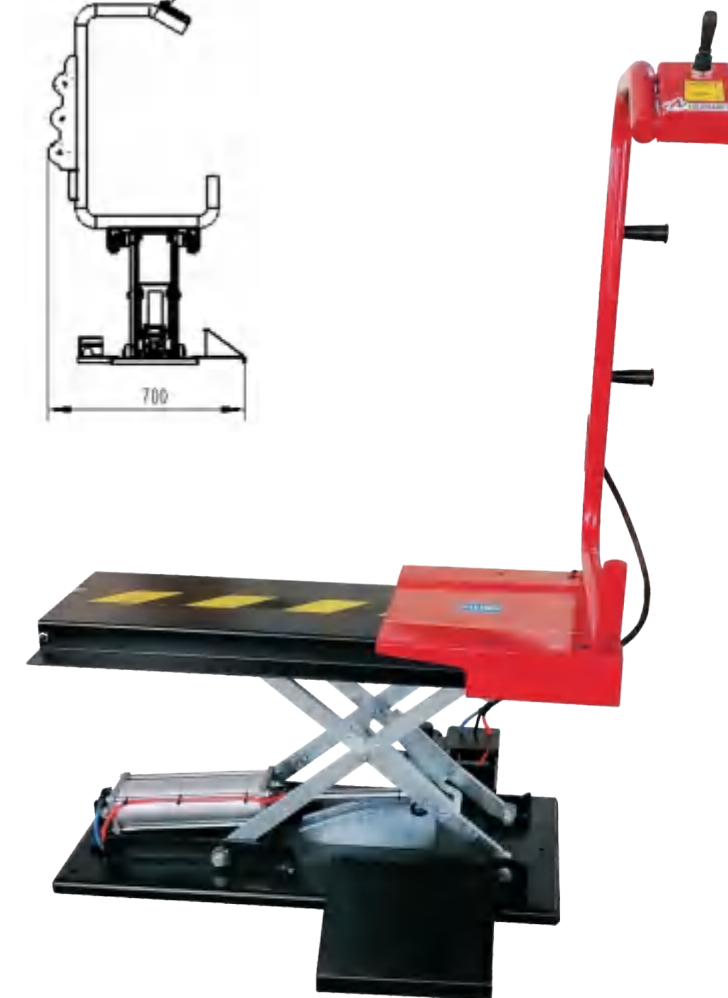
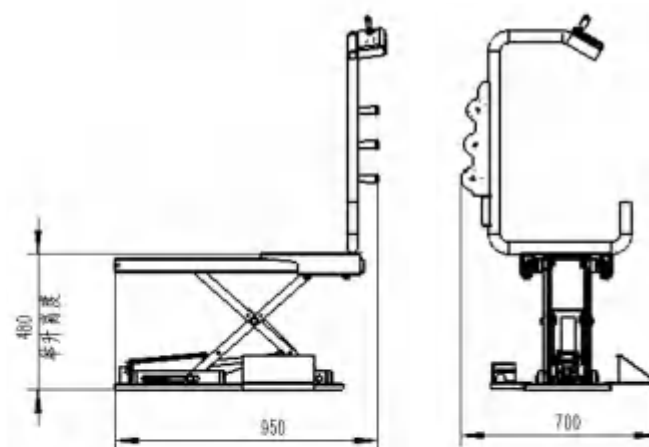


HD-T28-平衡机轮胎托胎器

产品特点 Product Features

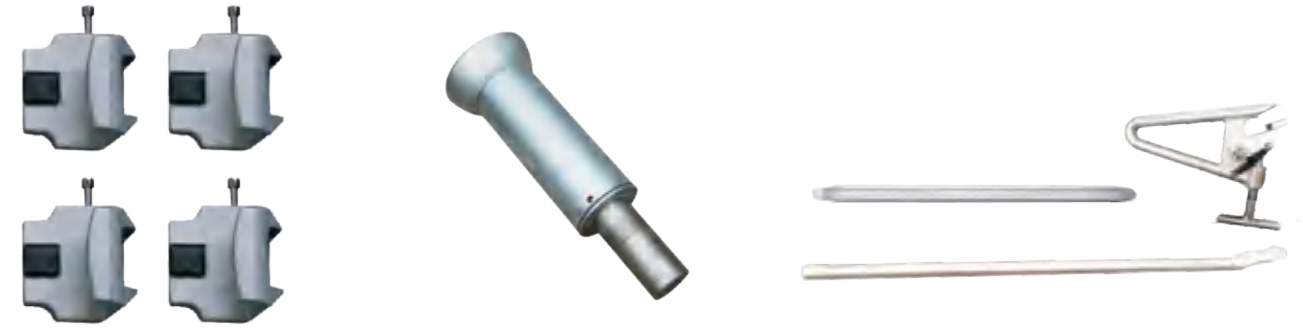
适用于所有平衡机，最大辅助举升重量达80KG，举升高度480mm，气动举升方便快捷，减少劳动强度。配备移动轮子，可移动使用，准确找到贴铅块位置，轻松快捷。

包装尺寸：920×630×400
自重42Kg 毛重52Kg



F-590

大车拆装机



产品卖点 Selling Point

- 可移动式低压控制手柄进行操作；
- 操作电压24V，安全稳定；
- 适用于14" -26" 全部轮辋尺寸；
- 举升臂和夹具均为液压驱动；
- 意大利泵可选。

SEMI-AUTOMATIC TRUCK TYRE CHANGER T568 UNIVERSAL
 SELF-CENTERING CHUCK RIM CAPACITY 14" -26"
 CLOCKWISE AND ANTICLOCKWISE ROTATION OF CHUCK
 ITALIAN PUMP OPTIONAL

技术参数 Technical data



轮辋直径	Rim Diameter	14" -26"
最大轮径	Max Wheel Diameter	1600mm
最大轮重	Max Wheel Weight	500Kg
轮辋宽度	Rim Width	1.5" -20"
测量转速	Rotating Speed	200r/min
平均精度	Balancing Precision	±1g
电源	Power Supply Volatge	220V
平衡周期	One Balance Time	7s
包装尺寸	Packing Dimension	2030×1580×1000
整体重量	Overall weight	633Kg
40尺装柜数量	Loading QuantityIn40' Container	70ts

