

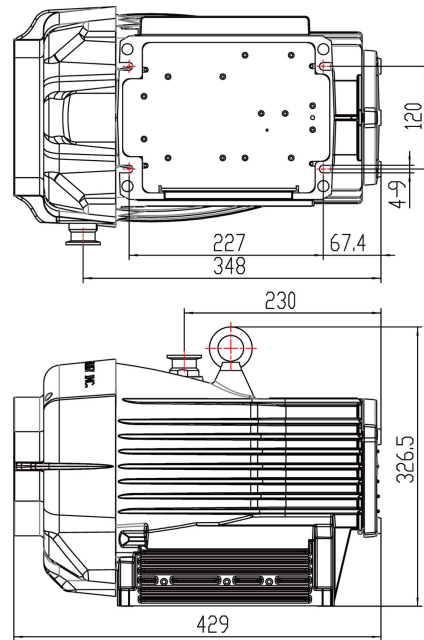
## Technical Data

Rated Rotating Speed	rpm	1800
Pumping Speed	m <sup>3</sup> /h	11.6
Ultimate Vacuum	bar	7×10 <sup>-3</sup>
Power	kW	0.4
Weight	kg	26
Inlet Flange		KF25
Outlet Flange		KF25
Noise Level	dB	52±2.5
Vibration	mms <sup>-1</sup>	<4.5
Leakage Rate	mbarls <sup>-1</sup>	1×10 <sup>-6</sup>
Ambient Temperature	°C	+5~+40

## Electrical data

		VDP10/110V	VDP10/220V	
Electrical Rating for Continuous Operation	Supply Voltage	100~127±10%	220V±10%	VAC
	Phase	Single Phase	Single Phase	
	Frequency	50/60	50/60	Hz
	Input Current	10	6	A
Recommended Fuse	Area	America、Japan	Europe、China	
	Voltage	120V、100V	230V、220V	V
	Rated Value	10A/250Va.c.rms	10A/250Va.c.rms	

External dimension



Unit:mm

