

HGV SERIES
MINI
ELECTRIC VALVE
Sample Catalog





HGV^{Series} Threaded Ball Valve

PERFORMANCE

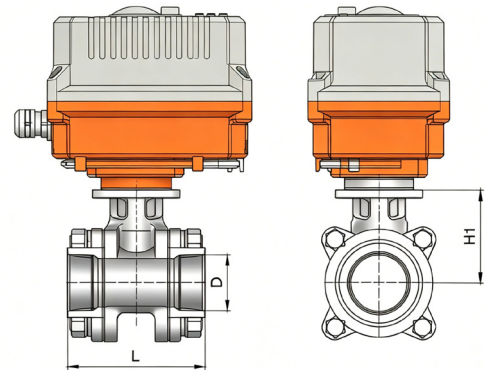
Switching life	>100,000 cycles
Protection rating	IP67
Medium temperature	-20-130°C / -40-130°C / -20-180°C -10-260°C
Applicable media	Steam / Liquid / Gas / Light oil, etc.
Applicable pressure	0-6.4 MPa

CONTROL

On/Off type	Ac220V / DC12V / DC24V
Regulating type	Ac220V 4-20mA DC24V 4-20mA
Connection type	Threaded

MATERIALS

Actuator body	Plastic
Seat / sealing material	PTFE / PPL / PEEK
Body / stem / ball core	SS304 / SS316 / SS2205 / TA2



Unit:mm

Nominal Diameter	L	H1	D
DN15	79	52	15
DN20	86	55	20
DN25	97	55	25
DN32	110	70	32
DN40	125	80	40
DN50	142	87	50
DN65	171	111	65
DN80	197	127	80
DN100	238	144	100

HGV^{Series} Integral Threaded Ball Valve

PERFORMANCE

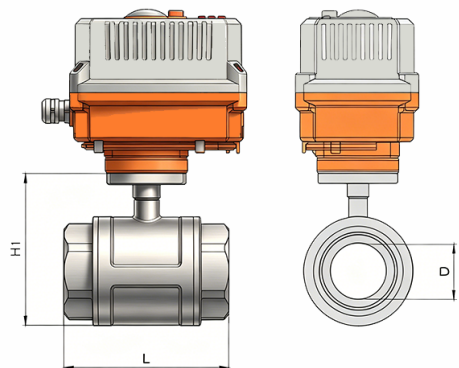
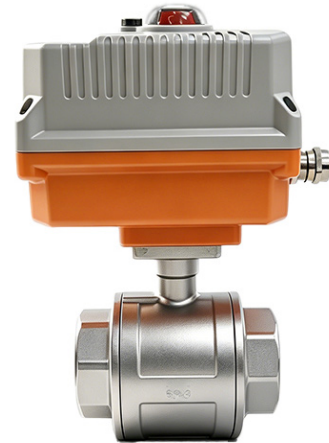
Switching life	≥50,000 cycles
Protection rating	IP65
Medium temperature	-10-180°C
Applicable media	Steam / Liquid / Gas / Light oil, etc.
Applicable pressure	0-6.4 MPa

CONTROL

On/Off type	Ac220V / DC12V / DC24V
Regulating type	Ac220V 4-20mA DC24V 4-20mA
Connection type	Threaded

MATERIALS

Actuator body	Plastic
Seat / sealing material	PTFE
Body / stem / ball core	SS304 / SS316



Unit:mm

Nominal Diameter	L	H1	D
DN15	54	65	15
DN20	62	71	20
DN25	72	78	25
DN32	85	88	32
DN40	100	102	40
DN50	112	116	50



HGV^{Series} Three-Piece Quick-Clamp Ball Valve

PERFORMANCE

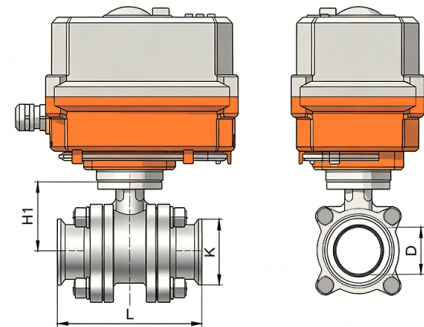
Switching life	>100,000 cycles
Protection rating	IP67
Medium temperature	-20-130°C / -40-130°C / -20-180°C -10-260°C
Applicable media	Steam / Liquid / Gas / Light oil, etc.
Applicable pressure	0-6.4 MPa

CONTROL

On/Off type	Ac220V / DC12V / DC24V
Regulating type	Ac220V 4-20mA DC24V 4-20mA
Connection type	Clamp quick connection

MATERIALS

Actuator body	Plastic
Seat / sealing material	PTFE
Body / stem / ball core	SS304 / SS316



Unit:mm

Nominal Diameter	L	H1	D	O.D.
DN15	98	52	15	50.5
DN20	109	55	20	50.5
DN25	114	55	25	50.5
DN32	127	70	32	50.5
DN40	143	80	40	50.5/64
DN50	158	87	50	64/77.5
DN65	180	111	65	91
DN80	204	127	80	106
DN100	247	144	100	119

HGV^{Series} Quick Clamp Ball Valve

PERFORMANCE

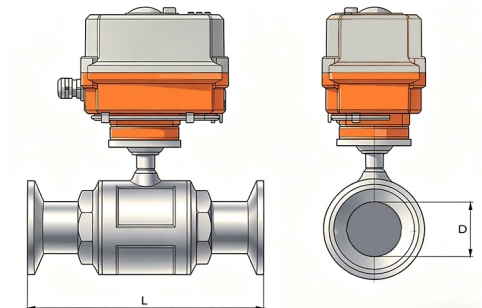
Switching life	≥50,000 cycles
Protection rating	IP65
Medium temperature	-10-180°C
Applicable media	Steam / Liquid / Gas / Light oil, etc.
Applicable pressure	0-6.4 MPa

CONTROL

On/Off type	Ac220V / DC12V / DC24V
Regulating type	Ac220V 4-20mA DC24V 4-20mA
Connection type	Clamp quick connection

MATERIALS

Actuator body	Plastic
Seat / sealing material	PTFE
Body / stem / ball core	SS304 / SS316



Unit:mm

Nominal Diameter	L	H1	D	K(O.D.)
DN15	98	65	15	50.5
DN20	109	71	20	50.5
DN25	114	78	25	50.5
DN32	127	88	32	50.5
DN40	143	102	40	50.5/64
DN50	158	116	50	64/77.5



HGV^{Series} Three-Way Quick-Clamp Ball Valve

PERFORMANCE

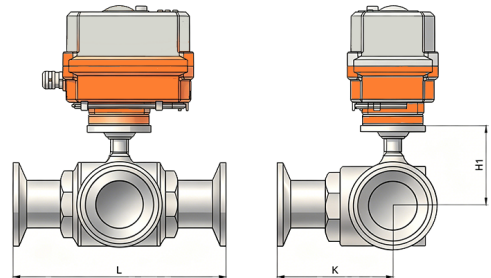
Switching life	>100,000 cycles
Protection rating	IP67
Medium temperature	-20-130°C / -40-130°C / -20-180°C
Applicable media	Steam / Liquid / Gas / Light oil, etc.
Applicable pressure	0-6.4 MPa

CONTROL

On/Off type	Ac220V / DC12V / DC24V
Regulating type	Ac220V 4-20mA DC24V 4-20mA
Connection type	Clamp quick connection

MATERIALS

Actuator body	Plastic
Seat / sealing material	PTFE
Body / stem / ball core	SS304 / SS316



Unit:mm

Nominal Diameter	L	H1	D	O.D.
DN15	105	48	53	50.5
DN20	114	50	57	50.5
DN25	116	55	58	50.5
DN32	145	65	73	50.5
DN40	170	80	85	50.5/64
DN50	190	87	95	64/77.5

HGV^{Series} Three-way Threaded Ball Valve

PERFORMANCE

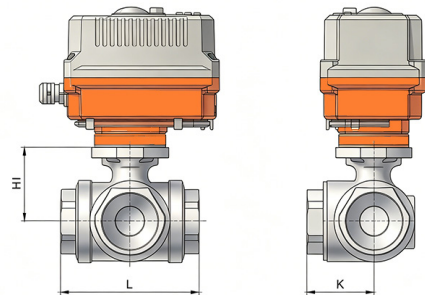
Switching life	≥100,000 cycles
Protection rating	IP67
Medium temperature	-20-130°C / -40-130°C / -20-180°C
Applicable media	Steam / Liquid / Gas / Light oil, etc.
Applicable pressure	0-6.4 MPa

CONTROL

On/Off type	Ac220V / DC12V / DC24V
Regulating type	Ac220V 4-20mA DC24V 4-20mA
Connection type	Threaded

MATERIALS

Actuator body	Plastic
Seat / sealing material	PTFE / PPL
Body / stem / ball core	SS304 / SS316



Unit:mm

Nominal Diameter	L	H1	K
DN15	70	48	35
DN20	85	50	43
DN25	90	55	45
DN32	123	65	62
DN40	140	80	70
DN50	153	87	77



HGV^{Series} Four-Way Quick-Clamp Ball Valve

PERFORMANCE

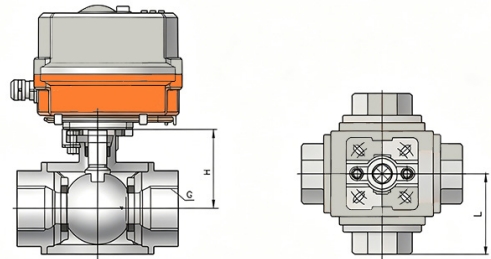
Switching life	>100,000 cycles
Protection rating	IP67
Medium temperature	-20-130°C / -40-130°C / -20-180°C
Applicable media	Steam / Liquid / Gas / Light oil, etc.
Applicable pressure	0-6.4 MPa

CONTROL

On/Off type	Ac220V / DC12V / DC24V
Regulating type	Ac220V 4-20mA DC24V 4-20mA
Connection type	Threaded

MATERIALS

Actuator body	Plastic
Seat / sealing material	PTFE
Body / stem / ball core	SS304 / SS316



Unit:mm

Nominal Diameter	L	d	H
DN8	36	12	46
DN10	36	12	46
DN15	36	12	46
DN20	40	15	49
DN25	44	18	54
DN32	54	25	64
DN40	64	32	73
DN50	71	38	85

HGV^{Series} Vertical Three-way Ball Valve

PERFORMANCE

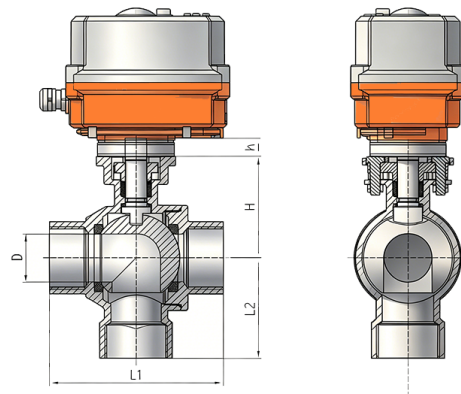
Switching life	≥100,000 cycles
Protection rating	IP67
Medium temperature	-20-130°C / -40-130°C / -20-180°C
Applicable media	Steam / Liquid / Gas / Light oil, etc.
Applicable pressure	0-6.4 MPa

CONTROL

On/Off type	Ac220V / DC12V / DC24V
Regulating type	Ac220V 4-20mA DC24V 4-20mA
Connection type	Threaded

MATERIALS

Actuator body	Plastic
Seat / sealing material	PTFE / PPL
Body / stem / ball core	SS304 / SS316



Unit:mm

Nominal Diameter	L1	L2	H	h	D
DN15	77	59	43	11	15
DN20	77	59	43	11	20
DN25	90.5	64	50.5	11	25
DN32	114	69	68	12	32
DN40	124	74.3	79.5	16	40
DN50	139.8	85.4	85.3	16	48



HGV^{Series} Three-Way Flanged Ball Valve

PERFORMANCE

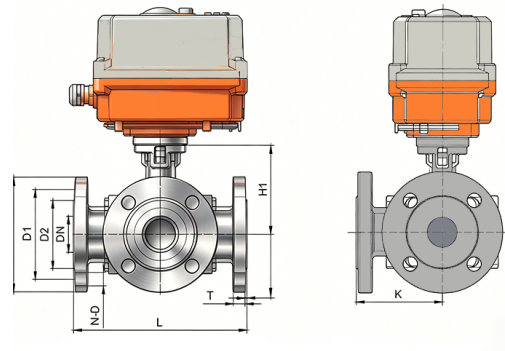
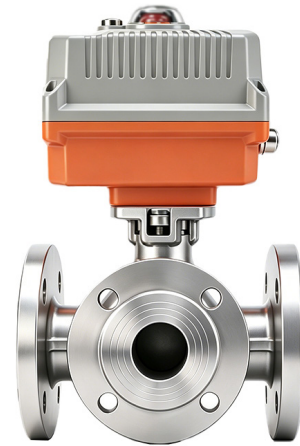
Switching life	>100,000 cycles
Protection rating	IP67
Medium temperature	-20-130°C / -40-130°C / -20-180°C -10-260°C
Applicable media	Steam / Liquid / Gas / Light oil, etc.
Applicable pressure	0-1.6 MPa / 0-2.5 MPa / 0-6.4 MPa

CONTROL

On/Off type	Ac220V / DC12V / DC24V
Regulating type	Ac220V 4-20mA DC24V 4-20mA
Connection type	Flanged

MATERIALS

Actuator body	Plastic
Seat / sealing material	PTFE / PPL / PEEK
Body / stem / ball core	SS304 / SS316 / SS2205 / TA2



Unit:mm

Nominal Diameter	L	H1	D	D1	D2	K
DN15	155	65	95	65	45	77.5
DN20	165	65	105	75	55	82.5
DN25	180	68	115	85	65	90
DN32	190	80	140	100	78	95
DN40	212	85	150	110	88	106
DN50	232	93	165	125	102	116

HGV^{Series} Flanged Ball Valve

PERFORMANCE

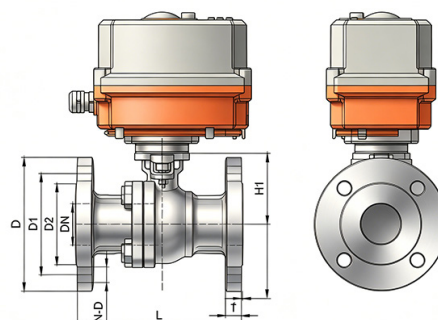
Switching life	≥100,000 cycles
Protection rating	IP67
Medium temperature	-20-130°C / -40-130°C / -20-180°C -10-260°C
Applicable media	Steam / Liquid / Gas / Light oil, etc.
Applicable pressure	0-1.6 MPa / 0-2.5 MPa / 0-6.4 MPa

CONTROL

On/Off type	Ac220V / DC12V / DC24V
Regulating type	Ac220V 4-20mA DC24V 4-20mA
Connection type	Flanged

MATERIALS

Actuator body	Plastic
Seat / sealing material	PTFE / PPL/PEEK
Body / stem / ball core	SS304 / SS316 / SS2205 / TA2



Unit:mm

Nominal Diameter	L	H1	D	D1	D2
DN15	140	52	95	65	45
DN20	150	55	105	75	55
DN25	162	55	115	85	65
DN32	180	70	140	100	78
DN40	192	80	150	110	88
DN50	210	87	165	125	102
DN65	230	111	185	145	122
DN80	260	127	200	160	138
DN100	320	144	220	180	158
DN125	400	170	250	210	188
DN150	480	190	285	240	212
DN200	600	235	340	295	268



HGV^{Series} Vacuum Ball Valve

PERFORMANCE

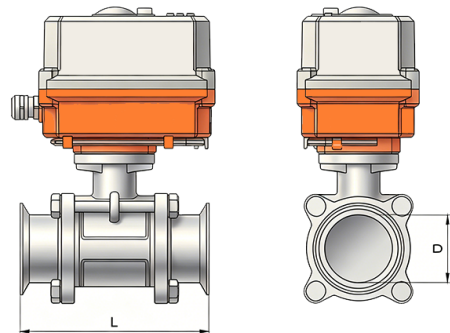
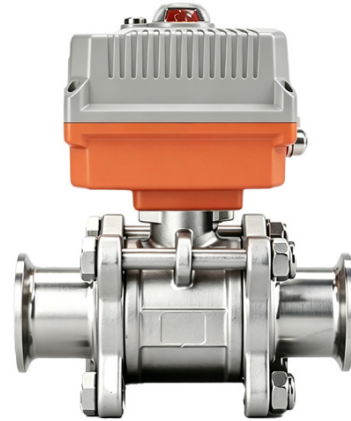
Switching life	>100,000 cycles
Protection rating	IP67
Medium temperature	-20-130°C / -40-130°C / -20-180°C -10-260°C
Applicable media	Steam / Liquid / Gas / Light oil, etc.
Applicable pressure	0.1 -1.6 MPa / 10 ⁵ -1.3*10 ⁵ MPa

CONTROL

On/Off type	Ac220V / DC12V / DC24V
Regulating type	Ac220V 4-20mA DC24V 4-20mA
Connection type	Clamp quick connection

MATERIALS

Actuator body	Plastic
Seat / sealing material	PTFE / PPL / PEEK / VITON / FFKM
Body / stem / ball core	SS304 / SS316 / SS2205 / TA2



Unit:mm

Nominal Diameter	K	L	H1	D
DN15	30	98	48	15
DN25	40	114	56	25
DN40	55	143	75	40
DN50	75	158	83	50
DN65	87	180	100	65
DN100	134	247	115	100

HGV^{Series} Plastic Double Union Ball Valve

PERFORMANCE

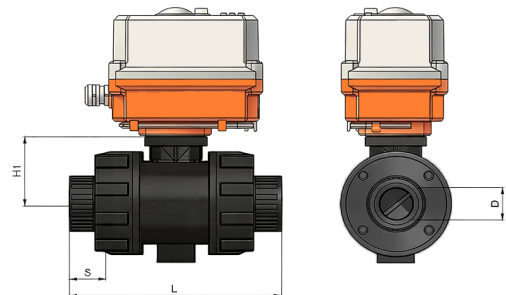
Switching life	≥20,000 cycles
Protection rating	IP67
Medium temperature	0-80°C
Applicable media	Liquid / Gas / Light oil, etc.
Applicable pressure	0-1.6 MPa

CONTROL

On/Off type	Ac220V / DC12V / DC24V
Regulating type	Ac220V 4-20mA DC24V 4-20mA
Connection type	Double union/Threaded

MATERIALS

Actuator body	Plastic
Seat / sealing material	EPDM / PTFE
Body / stem / ball core	UPVC (PPH/CPVC/PVDF optional)



Unit:mm

Nominal Diameter	L	H1	D
DN15	115	32	12
DN20	130	40	19
DN25	145	45	24
DN32	165	54	30
DN40	175	63	38
DN50	200	73	49
DN65	230	90	64
DN80	250	110	79
DN100	305	124	99



HGV^{Series} Plastic Three-Way Double Union Ball Valve

PERFORMANCE

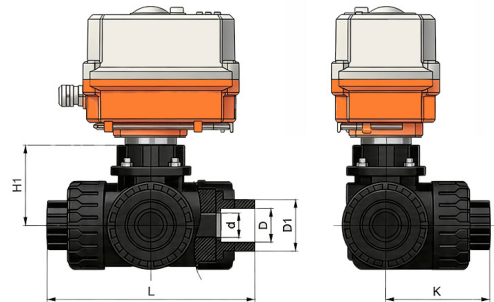
Switching life	>20,000 cycles
Protection rating	IP67
Medium temperature	0-80°C
Applicable media	Steam / Gas / Light oil, etc.
Applicable pressure	0-1.6 MPa

CONTROL

On/Off type	Ac220V / DC12V / DC24V
Regulating type	Ac220V 4-20mA DC24V 4-20mA
Connection type	Double union/Threaded

MATERIALS

Actuator body	Plastic
Seat / sealing material	EPDM / PTFE
Body / stem / ball core	UPVC (PPH/CPVC/PVDF optional)



Unit:mm

Nominal Diameter	L	H1	K
DN15	137	53	68
DN20	172	65	86
DN25	200	68	100
DN32	208	70	104
DN40	240	92	120
DN50	246	95	123

HGV^{Series} Plastic Wafer Butterfly Valve

PERFORMANCE

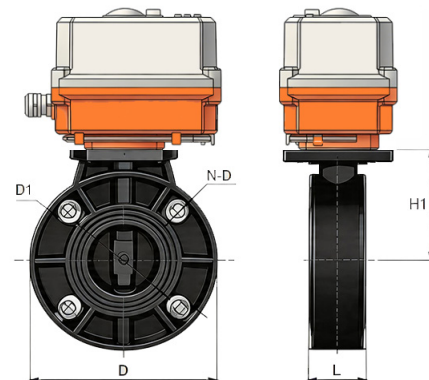
Switching life	≥20,000 cycles
Protection rating	IP67
Medium temperature	0-80°C
Applicable media	Liquid / Gas / Light oil, etc.
Applicable pressure	0-1.6 MPa

CONTROL

On/Off type	Ac220V / DC12V / DC24V
Regulating type	Ac220V 4-20mA DC24V 4-20mA
Connection type	Wafer

MATERIALS

Actuator body	Plastic
Seat / sealing material	EPDM
Body / stem / disc core	UPVC (PPH/CPVC/PVDF optional)



Unit:mm

Nominal Diameter	L	H1	D	D1	D2	N-D
DN50	45	110	160	125	82	4-φ18
DN65	48	126	180	145	97	4-φ18
DN80	48	138	195	160	113	8-φ18
DN100	58	154	215	180	139	8-φ18
DN125	70	168	245	210	163	8-φ18
DN150	72	205	280	240	195	8-φ22
DN200	96	257	335	295	250	8-φ22



HGV^{Series} High Performance Butterfly Valve

PERFORMANCE

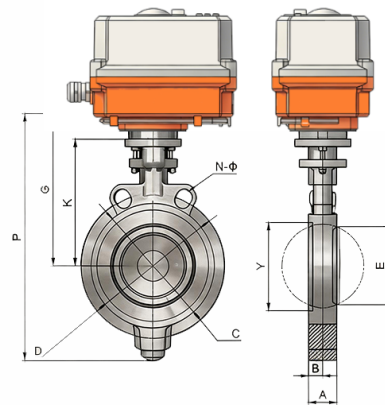
Switching life	>200,000 cycles
Protection rating	IP67
Medium temperature	-20-200°C / -20-260°C / -65-450°C
Applicable media	Steam / Liquid / Gas / Light oil, etc.
Applicable pressure	150LB / 300LB

CONTROL

On/Off type	Ac220V / DC12V / DC24V
Regulating type	Ac220V 4-20mA DC24V 4-20mA
Connection type	Wafer

MATERIALS

Actuator body	Plastic
Seat / sealing material	PTFE/PPL/RPTFE/PEEK
Body / stem / disc core	WCB/SS304/SS316L/MONEL/C-276



Unit:mm

Nominal Diameter	A	B	C	E	G	H	K	P	Y
DN50	43.3	23.3	96	38	124.3	279	80	186.3	50
DN65	49	27	119	59	194	279	111	275	48
DN80	49	27	132	73	203	279	121	316	74
DN100	54	30	157	95	216	279	131	341	97
DN125	64	30	186	111	217	279	135	362	111
DN150	57	33	216	142	235	279	152	378	146
DN200	64	36	270	188	270	559	187	441	194
DN250	57	41	324	236	329	559	232	530.6	243
DN300	64	48	381	282	357	559	260	595.5	289

HGV^{Series} Sanitary Tri-Clamp Butterfly Valve

PERFORMANCE

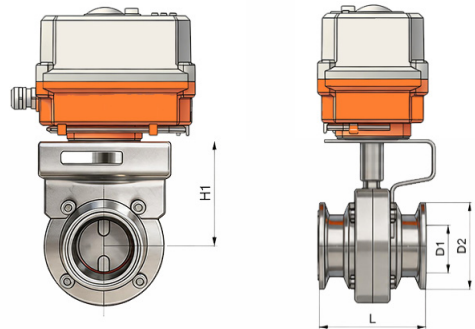
Switching life	≥20,000 cycles
Protection rating	IP67
Medium temperature	0-100°C
Applicable media	Liquid / Gas / Light oil, etc.
Applicable pressure	0-1.2MPa

CONTROL

On/Off type	Ac220V / DC12V / DC24V
Regulating type	Ac220V 4-20mA DC24V 4-20mA
Connection type	Quick connection

MATERIALS

Actuator body	Plastic
Seat / sealing material	EPDM / VQM
Body / stem / disc core	SS304 / SS316



Unit:mm

Nominal Diameter	L	H1	D1	D2	O.D.
Φ19	66	68	16	50.5	50.5
Φ25	66	68	22	50.5	50.5
Φ32	66	68	29	50.5	50.5
Φ38	66	72	35	50.5	50.5
Φ45	70	74	42	64	64
Φ51	72	79	48	64	64
Φ57	76	83	53	77.5	77.5
Φ63	76	86	59	77.5	77.5
Φ76	76	96	72	91	91
Φ89	84	102	85	106	106
Φ102	90	110	98	119	119
Φ108	90	112	104	119	119



HGV^{Series} Wafer Butterfly Valve

PERFORMANCE

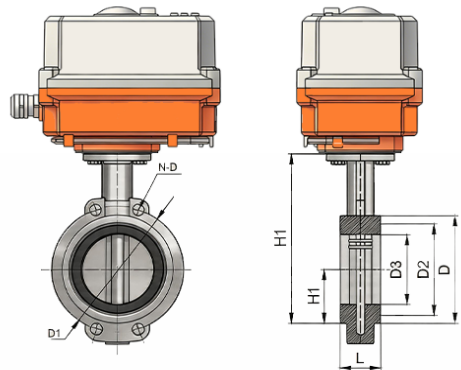
Switching life	>20,000 cycles
Protection rating	IP67
Medium temperature	-10-100°C / -10-120°C
Applicable media	Liquid / Gas / Light oil, etc.
Applicable pressure	0-1.6 MPa

CONTROL

On/Off type	Ac220V / DC12V / DC24V
Regulating type	Ac220V 4-20mA
Connection type	Wafer

MATERIALS

Actuator body	Plastic
Seat / sealing material	EPDM / PTFE / VITON
Body / stem / disc core	QT450 / SS304 / SS316



Unit:mm

Nominal Diameter	L	H1	D	D1	D2	N-D
DN50	42	195	95	125	82	4-φ18
DN65	44	217	114	145	97	4-φ18
DN80	44	232	126	160	113	8-φ18
DN100	50	270	154	180	139	8-φ18
DN125	56	292	180	210	163	8-φ18
DN150	56	318	206	240	195	8-φ22
DN200	60	390	264	295	250	8-φ22

HGV^{Series} Flanged Butterfly Valve

PERFORMANCE

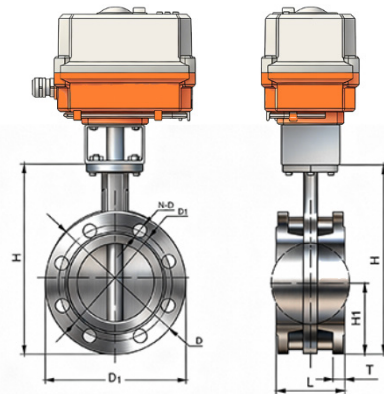
Switching life	≥20,000 cycles
Protection rating	IP67
Medium temperature	-10-100°C / -10-120°C
Applicable media	Steam / Gas / Light oil, etc.
Applicable pressure	0-1.6 MPa

CONTROL

On/Off type	Ac220V / DC12V / DC24V
Regulating type	Ac220V 4-20mA
Connection type	Flanged

MATERIALS

Actuator body	Plastic
Seat / sealing material	PTFE / EPDM / VITON
Body / stem / disc core	QT450 / SS304 / SS316



Unit:mm

Nominal Diameter	L	H	H1	D	D1	D2	N-D
DN50	108	200	80	165	125	82	4-φ18
DN65	112	220	89	185	145	97	4-φ18
DN80	114	240	95	200	160	113	8-φ18
DN100	127	270	114	220	180	139	8-φ18
DN125	140	295	125	250	210	163	8-φ18
DN150	140	330	142	285	240	195	8-φ22
DN200	152	375	170	340	295	250	8-φ22