

VALVE ACTUATOR



HGZK AUTOMATIC VALVE

EXPERT IN ACTUATORS

FOCUS ON PNEUMATIC AND ELECTRIC ACTUATORS

CONTENTS

- 01** **HAT Series Pneumatic Actuator**
Standard single double acting pneumatic actuator
- 02** **HBC Series Pneumatic Actuator**
Small fork actuator
- 03** **GBC Series Pneumatic Actuator**
Large fork actuator
- 04** **HTV Series Pneumatic Actuator**
High quality pneumatic actuators
- 05** **HGP Series Pneumatic Actuator**
Stainless steel pneumatic actuator
- 06** **CP101/126 Series Pneumatic Actuator**
Pneumatic actuator for dust butterfly valve
- 07** **HGR Series Electric Actuator**
Switch type, panel adjustment type, LCD integrated adjustment type
- 08** **HGQ Series Electric Actuator**
Covering switch type, adjustable type, knob adjustable type
- 09** **HQT Series Electric Actuator**
Explosion proof electric actuator
- 10** **HGZ Series Electric Actuator**
Multi cycle transformation electric actuator
- 11** **HRB Series Electric Actuator**
Compact explosion-proof electric actuator
- 12** **HGV Series Electric Actuator**
20Nm switch adjustable electric actuator
- 13** **HXV Series Electric Actuator**
Aluminum alloy 30Nm switch type electric actuator
- 14** **HSV Series Electric Actuator**
30Nm plastic actuator
- 15** **HTY Series Electric Actuator**
Solar electric actuator

HAT Series Pneumatic Actuator

OVERVIEW

- Adopts dual-piston gear rack structure design;
- Precision gear processing ensures transmission efficiency and reduces transmission impact;
- Extruded aluminum cylinder body, with anti-corrosion design inside;
- Production complies with ISO9001 system specifications;
- Complies with international specifications such as ISO5211/DIN3337 and VDI/VDE3845;
- Fully supports NUMAR standards;
- 304 or 316 stainless steel output shafts can be provided upon request;
- Optional accessories: bracket, connector, solenoid valve, limit switch box, proximity sensor, gear box (handwheel mechanism), positioner.



Basic Specifications of HAT Series

Basic Specifications				
Model	Type	Number of springs	Flange type	Square
HAT032	Double acting or single acting	4-12 (only affects the spring reset performance)	F03	9×9
HAT050			F03/F05	11×11
HAT065			F05/F07	14×14
HAT075			F05/F07	14×14
HAT085			F05/F07	17×17
HAT095			F05/F07	17×17
HAT110			F07/F10	17×17
HAT125			F07/F10	22×22
HAT140			F10/F12	27×27
HAT160			F10/F12	27×27
HAT190			F10/F14	36×36
HAT210			F14	36×36
HAT240			F16	46×46
HAT270			F16	46×46
HAT300			F16	46×46
HAT350			F16/F25	46×46
HAT400			F25	55×55

Note: If you need other parameters of pneumatic actuators, please contact us for more information.

Double-acting Actuator Selection

Under normal operating conditions, the safety factor considered for double-acting actuators is 20%-30%

SAMPLE

Valve torque required	100Nm
Safety torque	$100 \times (1+30\%) = 130\text{Nm}$
Air source pressure	5Bar

Note: Contact us to select the double-acting actuator you need by referring to the double-acting torque table selection table.

Single-acting Actuator Selection

Under normal operating conditions, the safety factor considered for single-acting actuators is 30%-50%

SAMPLE

Valve torque required	80Nm
Safety torque	$80 \times (1+30\%) = 104\text{Nm}$
Air source pressure	5Bar

Note: Contact us to select the single-acting actuator you need by referring to the single-acting torque table selection table.

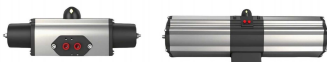
HBC Series Pneumatic Actuator

OVERVIEW

- > Small size, large torque;
- > Single-acting actuator single spring design improves reliability;
Reduces compressed air consumption by 35%;
- > The bearing parts are made of high-strength alloy steel;
- > Fully supports NUMAR standards;

- > 0°/90° positions are both adjustable by +/-5°;
- > The fork and shaft are splined, which is easy to install and has high strength;
- > The double-piston fork structure design is adopted;
- > The production complies with ISO9001 system specifications;
- > Optional accessories: bracket, connector, solenoid valve, limit switch, proximity sensor, handwheel mechanism, positioner;

- > Full bearing transmission between shaft and piston reduces friction resistance;
- > High starting torque, more in line with valve torque characteristics;
- > Special-shaped sealing ring design is adopted between the end cover and the cylinder body to avoid rubber plug inhalation;
- > Complies with international specifications such as ISO5211/DIN3337 and VDI/VDE3845;



Single Acting Series



Double Acting Series



Basic Specifications of HBC Series

Basic Specifications			
Model	Spring	Flange	Square
HBC100	Double acting or single acting	F05/F07	14×14
HBC150		F05/F07	14×14
HBC250		F07/F10	17×17
HBC350		F07/F10	22×22
HBC450		F10/F12	22×22
HBC600		F10/F12	27×27
HBC1000		F10/F14	36×36
HBC1500		F14	36×36
HBC2000		F14	36×36

Note: If you need other parameters of pneumatic actuators, please contact us for more information.

Working Conditions

Working medium: filtered and dried compressed air or inert gas, no lubrication required

Operating Temperature

Standard -20℃~+80℃

High temperature -20℃~+150℃

Low temperature -50℃~+60℃

Operating pressure 2-8Bar

Note: Contact us to select the double-acting actuator you need by referring to the double-acting torque table selection table.

GBC Series Pneumatic Actuator

OVERVIEW

- › Small torque compact HGC (F07-F14 flange, torque 80-2000NM);
- › Large torque fully modular (F14-F60 flange, double-acting torque 250000NM, single-acting 120000NM);
- › Modular design, with multiple combinations, convenient on-site maintenance, fault location switching;
- › The inner tie rod design supports and guides the piston to prevent eccentric wear of the cylinder;
- › Ambient temperature range: Standard type -20°C~80°C; High temperature type -10°C~150°C;
Low temperature type -40~80°C; Ultra-low temperature type -60°C~80°C;
- › Connection size standard: ISO5211, NAMUR;
- › Pneumatic operating pressure: 3~8Bar.

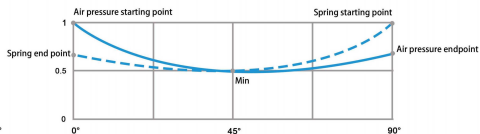
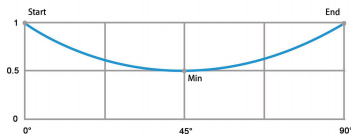


Double Acting Actuator



Single Acting Actuator

Torque Table



— Gas torque
- - - Spring torque

Cylinder Capacity

Model	Effective Cylinder Volume(L)												
	200	250	300	350	400	500	600	700	700 D	800	800 D	900	1000
GBC1	6.8	10.6	15.4	18.2									
GBC2		10.6	15.4	18.2	21.3								
GBC3			18.4	21.7	27.5	43							
GBC4				26.6	33.7	53	76						
GBC5						69	100	145		189			
GBC6								124	180	360	234	296	
GBC7									214	275	550	353	430

Note: Contact us to select the actuator you need by comparing the torque table selection table.

HTV Series Pneumatic Actuator

OVERVIEW

- Adopts integrated universal compact design;
- Complies with international standards such as ISO5211, DIN3337 and VDI/VDE3845;
- Fully supports NUMAR standards;
- Has good interchangeability, easy to install solenoid valves, limit switches and other related accessories;
- High-precision gear rack processing, more accurate transmission, greater output power;
- Extruded aluminum cylinder: anti-corrosion measures are adopted both inside and outside;
- Bearing guide integrated gear design to improve safety;
- High-quality bearings, good sealing and low friction coefficient, long service life and wide applicable temperature range.



Basic Specifications of HTV Series

Basic Specifications				
Model	Type	Number of springs	Flange type	Square
HTV032	Double acting or Single acting	4-12 (only affects the spring reset performance)	F03	9×9
HTV050			F03/F05	11×11
HTV065			F05/F07	14×14
HTV075			F05/F07	14×14
HTV085			F05/F07	17×17
HTV095			F05/F07	17×17
HTV110			F07/F10	17×17
HTV125			F07/F10	22×22
HTV140			F10/F12	27×27
HTV160			F10/F12	27×27
HTV190			F10/F14	36×36
HTV210			F14	36×36
HTV240			F16	46×46
HTV270			F16	46×46
HTV300			F16	46×46
HTV350			F16/F25	46×46
HTV400			F25	55×55

Note: If you need other parameters of pneumatic actuators, please contact us for more information.

Technical Data (Metric)

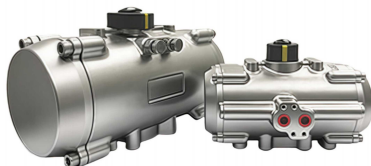
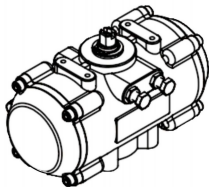
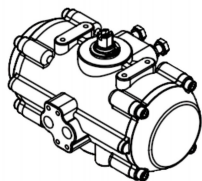
	HTV032		HTV050		HTV065		HTV075		HTV085		HTV095		HTV110		HTV125		HTV140		HTV160		HTV190		HTV210		HTV240		HTV270		HTV300		HTV350		HTV400	
	D	D	S	D	S	D	S	D	S	D	S	D	S	D	S	D	S	D	S	D	S	D	S	D	S	D	S	D	S	D	S	D	S	
Bore (mm)	32	50	65	75	85	85	95	110	125	140	160	190	210	240	270	300	350	400																
Vol Open (L)	0.03	0.09	0.19	0.30	0.44	0.88	0.83	1.41	1.76	2.85	4.75	6.80	11.40	15.80	19.09	27.65	42.81																	
Vol Close (L)	0.04	0.15	0.15	0.50	0.66	1.17	1.27	2.13	2.72	4.08	7.20	10.29	15.10	18.80	28.23	44.10	62.05																	
Open Time (s)	0.3	0.3	0.9	0.4	0.9	0.4	0.9	0.9	1.0	0.9	1.4	0.9	1.4	1.3	2.4	1.3	2.8	2.0	4.8	2.2	2.4	2.9	3.4	3.2	3.81	4.4	5.0	5.0	6.0	6.2	7.4	7.5	9.6	
Close Time (s)	0.4	0.4	0.7	0.4	0.8	0.4	0.9	0.9	1.2	1.0	1.4	1.0	1.6	1.4	2.4	1.4	3.0	2.4	4.9	2.6	3.0	3.8	4.1	3.7	4.0	4.9	5.5	6.0	6.8	7.2	8.4	8.5	10.6	
Weight (kg)	0.47	1.13	1.25	1.97	2.21	2.93	3.29	3.78	4.26	5.14	5.86	6.09	7.17	10.88	12.54	13.77	15.93	20.15	23.75	28.41	33.81	40.03	48.43	52.6	77.76	73.64	90.6	108	135.6	146.7	188	1220.5	283.5	

Note: Contact us to compare the torque table selection table and select the actuator you need

HGP Series Pneumatic Actuator

OVERVIEW

- High-performance output torque with a wide range of options;
- Excellent corrosion resistance, suitable for most corrosive chemicals and corrosive industrial environments;
- Smooth operation and long service life;
- Installation and connection dimensions meet international standards; Comply with NAMUR and ISO5211/DIN3337 installation standards,
- convenient for installation of solenoid valves, limit switches and other accessories;
- Simple, suitable, stylish and smooth appearance avoids the accumulation of dust and dirt;
- High-precision spring resets faster, and high-precision gear processing transmission is more accurate.



Operating Condition

Operating media: Dry lubricated air or the non-corrosive gases
 The maximum particle diameter must less than 30 um

SAMPLE

Air supply pressure 2.5Bar (MIN)
 8.0Bar (MAX)

Travel adjustment 0°- 90° (±5°)

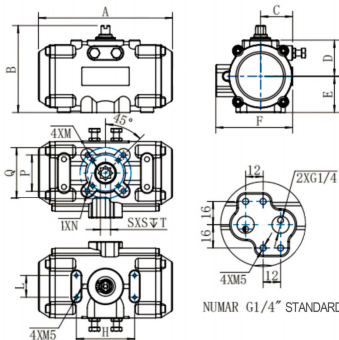
Operating Temperature

Standard -20°C--+80°C

Low temperature -35°C--+80°C

High temperature -15°C--+150°C

● Note: If you need other parameters of pneumatic actuators, please contact us for more information.



CP101/CP126 Series Pneumatic Actuator

OVERVIEW

- > The electric drive frame and CP piston actuator are suitable for controlling the opening and closing of VFS butterfly valves, VSS ball valves and DVA bidirectional diverter valves;
- > Working pressure: 2 ~ 8 bar (29 ~116 PSI);
- > The spline shaft and sleeve connection on the CP actuator conforms to DIN 5482 standard.
- > Sturdy and compact design;
Interchangeable with other types of actuators produced by WAM;
- > Durable and highly compatible;



CP101
Round bracket



CP101
Square bracket



CP126
Round bracket



CP126
Square bracket



Basic Specifications of CP Series

Basic Specifications					
	Thread	Connection sizes	GC	Process time	KG
CP063	1/8"	8×6	2.0 (×2)	0.8	2.8
CP101	1/8"	8×6	4.4 (×2)	0.8	3.3
ACP101	1/8"	8×6	4.4 (×2)	0.8	3.3
CP101T	1/8"	8×6	4.4 (×2)	0.8	3.3
CP126	1/4"	8×6	6.3 (×2)	0.5	9.5
CP126T	1/4"	8×6	6.3 (×2)	0.5	9.5

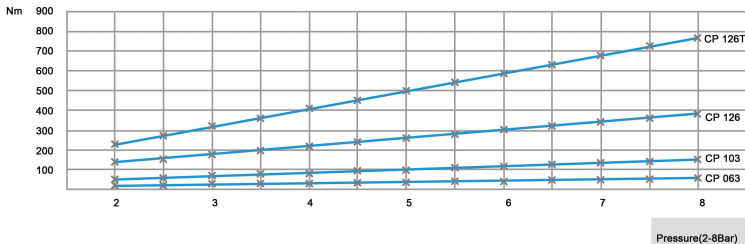
Unique structure



The connection with the spline connection, sturdy and durable, convenient adjustment.



Aluminum alloy body with one type of die casting, so that the overall more portable products.



HGR Series Electric Actuator

OVERVIEW

- › Installation at the bottom inner octagon;
- › Opening display screen, angle switch position is clearly visible;
- › Mechanical and electronic double limiters are used to prevent over-positioning, making it more convenient to use;
- › LCD screen and hydrogen stroke indication are used, which is simple and convenient;
- › Switch type and adjustment type are available;
- › Precise wear-resistant, alloy forging, high strength, good wear resistance;
- › Anti-corrosion and rust-proof, bracket connectors, and screws are all made of stainless steel.



Performance Parameter of HGR Series

Performance Parameter										
Model	Output torque	Operating time		Output axis	Rated power	Rated Current-50/60HZ			Weight	
		Special	Standard			MM	W	AC 220V/A		AC 380V/A
003	30	10	25	11×11	8	0.2	0.1	2	2.5	
005	50	5/15	30	14×14	12	0.22	0.1	2	3.5	
010	100	5/15	30	17×17	25	0.3	0.15	2.5	4.7	
015	150	5/15/30	40	17×17	35	0.38	0.2	5	5	
020	200	5/15	30	22×22	60	0.5	0.25	8.5	9	
040	400	5/15	45	22×22	68	0.52	0.25	8.5	9	
060	600	5/15/90	60	22×22	100	0.75	0.4	8.5	11	
100	1000	5/15/40	60	27×27	100	0.75	0.4	10	11	
200	1800	5/15/40	60	27×27	120	0.9	0.5	10	11.5	

● Note: If you need other parameters of electric actuators, please contact us for more information.



Basic switch type

Open and close immediately, fully open and fully closed, stop when fully opened and stop when fully closed, the opening cannot be adjusted.

Withstand voltage level	AC1500V
Protection level	IP65



One plate adjustment type

Adjust the switch angle according to the signal to achieve temperature control, pressure, and flow regulation, adjustable opening, no LCD display.

Control/Feedback Signal	4-20mA/0-10V
Input accuracy error	≤ ±0.5%



LCD integrated adjustment type

Adjust the switch angle according to the signal to achieve temperature control, pressure, and flow regulation, adjustable opening, LCD display.

Control/Feedback Signal	4-20mA/0-10V
Input accuracy error	≤ ±0.5%

HGQ Series Electric Actuator

OVERVIEW

- ▶ This series of valve electric actuators is suitable for small and medium-sized butterfly valves, ball valves, and other similar equipment that can rotate 90°.
- ▶ As a stable and reliable angular actuator, it can be adapted to the needs of different control systems and working environments.
- ▶ The integrated design of the transmission mechanism enables the product to have a smaller volume and a simpler appearance.
- ▶ Safe and reliable manual design, fully automatic manual/electric switching without the need to switch handles.
- ▶ A good level of protection can meet the needs of various designs: explosion-proof type, integral switch type, and integral adjustment type.



■ Switch type



■ Knob intelligent type

Main Specifications of HGQ Series

Input signal	4mA~20mA; Passive contact
Basic error limit	≤ 1%
Protection class	IP65 \ IP68.....
Explosion-proof grade	ExdII BT4 \ ExdII CT4
Ambient temperature	-30℃~+70℃ (Optional: -40℃~+100℃)
Environment humidity	≤ 95% (25℃)



Performance Parameter

Model	Output torque	Output speed	Maxmun steam diameter	Manual speed rate	Motor power		Rated current		Reference weight
					380V	220V	380V	220V	
Q05	50	0.5/1	Φ19	70.1	25	25	0.08	0.12	7.32
Q10	100	0.5/1	Φ19	70.1	30	30	0.1	0.14	7.65
Q15	150	0.5/1	Φ19	70.1	35	35	0.12	0.17	7.85
Q20	200	0.5/1	Φ28	95.1	40	40	0.15	0.17	11.2
Q30	300	0.5/1	Φ28	95.1	50	50	0.2	0.2	11.35
Q40	400	0.5/1	Φ28	95.1	60	60	0.22	0.28	11.6
Q60	600	0.5/1	Φ38	89.1	90	90	0.26	0.5	19.6
Q90	900	0.5/1	Φ38	89.1	120	120	0.4	0.6	20.2
Q120	1200	0.5/1	Φ38	89.1	150	150	0.5	0.8	21.2
Q200	2000	0.5/1	Φ38	89.1	180	180	0.8	0.95	22.5

① Note: If you need other parameters of electric actuators, please contact us for more information.

HQT Series Electric Actuator

OVERVIEW

- › The housing is made of hard aluminum alloy with strong corrosion resistance and IP67 protection grade;
- › The motor is a fully enclosed squirrel cage motor with small size, large torque, small inertia force, Insulation grade is F grade, with built-in overheat protection;
- › The indicator is installed on the center axis to observe the valve position;
- › The precision double-turbine worm mechanism can efficiently transmit large torque, with high efficiency, low noise, Long life, stable and reliable, with self-locking function to prevent inertial, transmission and reverse transmission;
- › All component fixing screws are made of stainless steel;
- › The valve position is digitally displayed. When the actuator is opened or switched, the change of the valve position is digitally displayed in real time on the control module and display screen.



■ Switch type

Performance Parameter of HQT Series with Switch Type

Model	(MAX) Output torque	Duration	Motor power	Rated current		Handwheel revolutions
	N·M	s	W	AC220V	AC380V	N
QT-010	100	18/22	25	0.55	≤0.1	10
QT-015	150	18/22	40	0.9	≤0.1	10
QT-020	200	21/25	40	0.9	≤0.1	11
QT-030	300	21/25	60	1.0	0.3	11
QT-040	400	26/31	90	1.2	0.55	14
QT-050	500	26/31	90	1.2	0.55	14
QT-060	600	26/31	120	1.9	0.6	14
QT-080	800	26/31	120	1.9	0.6	18
QT-090	900	31/37	180	2.4	1.2	18
QT-100	1000	31/37	200	2.6	1.4	18
QT-200	2000	93/112	200	2.6	1.4	50



■ Knob adjustable type

Performance Parameter of HQT Series with Knob Adjustable Type

Model	(MAX) Output torque	Duration	Motor power	Rated current		Handwheel revolutions
	N·M	s	W	AC220V	AC380V	N
QT-010	100	18/22	25	0.38	0.21	9
QT-015	150	18/22	40	0.5	0.25	10
QT-020	200	20/24	40	0.5	0.25	11
QT-050	500	25/29	120	0.98	0.52	13.5
QT-100	1000	26/33	200	1.74	0.76	16.5
QT-200	2000	85/104	200	1.74	0.76	49.5

Note: If you need other parameters of electric actuators, please contact us for more information.

HGZ Series Multiple Transformations of Electric Actuators

OVERVIEW

- > Multi turn electric actuator with simple and reliable structure;
- > Graphic dot matrix LCD display screen;
- > Using a magneto electric absolute encoder, the absolute encoder will not be affected by power failure or interference, and the obtained valve position will always be correct;
- > Supports various fieldbus communication protocols and control methods such as PROFIBUS, FF, MODBUS, HART, etc;
- > The basic error of valve positioning accuracy reaches level 1 accuracy;
- > Plug in or sunflower disk type wiring method, easy and fast maintenance;
The enclosure protection level is IP68; Explosion proof grade DIICT4



■ Knob adjustable type



■ Switch type

Performance Parameter of HGZ Series

Performance Parameter							
Model	Output torque	Output speed	(Max) stem diameter	Manual speed ratio	Motor power	Rated current	Weight
HGZ-05	50	18	28	1 : 1	0.12	0.6	20
HGZ-10	100	18	28	1 : 1	0.18	1.0	20
HGZ-15	150	18	28	1 : 1	0.25	1.2	20
HGZ-20	200	18	40	1 : 1	0.37	1.38	26
HGZ-30	300	18	40	1 : 1	0.55	2.7	26
HGZ-45	450	24	48	1 : 1	1.10	4.0	110
HGZ-60	600	24	48	1 : 1	1.50	4.12	120
HGZ-90	900	24	60	1 : 1	2.20	5.25	139
HGZ-120	1200	24	60	1 : 1	3.00	7.9	142
HGZ-180	1800	18	70	22.5 : 1	4.00	8.87	250
HGZ-250	2500	18	70	22.5 : 1	5.50	12.06	255
HGZ-350	3500	18	80	20 : 1	7.50	15.6	330
HGZ-500	5000	18	80	20 : 1	10.0	20.5	350

① Note: The torque shown in the table is the maximum allowable set torque in both directions of rotation. If you need other speeds or more details, please contact us.

HRB Series Compact Explosion-proof Electric Actuator

OVERVIEW

- > Electric actuator mechanism with 0°~360° angular travel;
- > Optional voltage: DC24V, AC24V, AC110V, AV220V, AC380V;
- > Temperature resistance: -20℃~+60℃;
- > Protection level: IP67/IP68;
- > Explosion proof grade: Exd II CT6Gb
- > Voltage withstand level: DC24V/AC24V; 50VAC for 1 minute
AC110V/AC220V; 1500VAC for 1 minute
AC380V; 1800VAC for 1 minute;
- > Optional functions: Over torque protection, dehumidification heater
- > The pointer disk window is made of tempered glass,
The valve position can be observed through the pointer disk above the casing.



Model	Output torque	Related valve		
		Soft sealed ball valve PN1.6MPa	Mid line soft seal butterfly valve PN1.0MPa	Ventilation butterfly valve PN<1.0MPa
HRB05	50	DN15-32	DN50-80	DN50-125
HRB10	100	DN40-50	DN100	DN150-200
HRB15	150	DN50-65	DN125-150	DN250-300
HRB20	200	DN65-80	DN150-200	DN300-450
HRB40	400	DN80	DN200	DN450-500
HRB60	600	DN100	DN250-300	DN500-600
HRB100	1000	DN125-150	DN300-400	DN700-900
HRB200	2000	DN150-200	DN400-500	DN900-1200

Note: The above is disposed and is only for reference, it is subject to that the valve manufacturer offers the data to be concrete

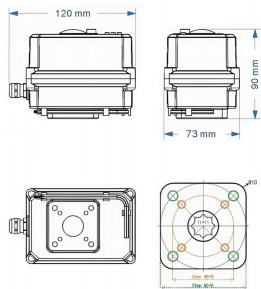
Performance Parameter of HRB Series

Performance Parameter												
Model	Motor power					Rated current					Standard /Moment	
	DC24V	AC24V	AC110V	AC380V	AC220V	DC24V	AC24V	AC110V	AC380V	AC220V		
HRB05	15	10	10	6	15	1.82	1.50	0.24	0.07	0.25	20s / 50Nm	
HRB10/15	30	25	25	15	25	2.20	2.12	0.57	0.10	0.35	30s / 100Nm	
HRB20	110	/	40	30	40	7.80	/	0.63	0.19	0.35	30s / 200Nm(DC24V:60s / 200Nm)	
HRB40	110	/	90	40	90	7.80	/	1.12	0.29	0.64	30s / 400Nm	
HRB60	110	/	90	40	90	8.00	/	1.18	0.29	0.67	45s / 600Nm	
HRB100	180	120	120	120	120	8.50	0.90	2.20	0.48	0.90	45s / 1000Nm	
HRB200	180	120	120	180	180	9.00	0.90	2.20	0.48	1.00	50s / 2000Nm	

HGV Serie Electric Actuator

OVERVIEW

- Small size: The product has a precise and small appearance, with a standard 8-corner internal connection for the output shaft, making it highly versatile;
- LCD display: convenient for debugging and setting up applications, with Chinese and digital interfaces;
- Low power consumption and high reliability: DC brushless motor with low power consumption, high torque, and long lifespan;
- Simple and universal interface: standard wiring terminals, optional standard customized cables;
- 2000V isolation of input/output signals and power supply;
- Power supply options: AC24V, AC110V, AC220V; DC12V, DC24V, etc;
- Signal options: switch quantity, analog quantity, non-contact contact, bus, wireless network, etc;
- Excellent EMC performance: electromagnetic radiation, static electricity, lightning protection, over temperature protection;
- Overload protection: complete overload (locked rotor) handling and troubleshooting procedures, alarm output;



Adjustable type



Switch type

Performance Parameter of HGV Series

Performance Parameter

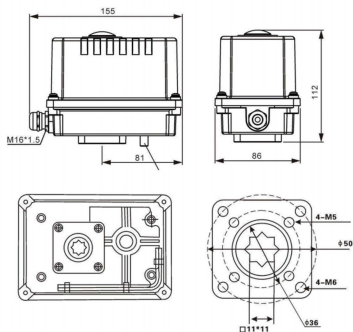
Voltage	DC12V/24V ; AC24V/110V/220V
Standby power	≤5W
Load rated power	≤15W(DC24V) ; ≤20W(AC220V)
Stalled rotor power	≤30W(DC24V) ; ≤40W(AC220V)
System maximum	Error ≤ (Positioning accuracy+0.1%+0.1%)
Ambient relative humidity	≤90%RH
Impact resistance	2G
Range of working temperature	25~55°C
Extreme temperature range	44~75°C

Note: If you need other parameters of electric actuators, please contact us for more information.

HSV Series Plastic Electric Actuator

OVERVIEW

- ▶ Made of ABS engineering plastic shell, it has the characteristics of light weight, high strength, aging resistance, and corrosion resistance.
- ▶ Adopting mechanical sealing structure (non chemical adhesive), effectively preventing water ingress caused by seal aging under harsh working conditions such as high temperature and high pressure.
- ▶ Supports manual valve opening and closing function (wrench dual-use type), and can also be operated in case of power outage.
- ▶ Complies with the ISO 5211 connection standard and can be adapted to connect various small-sized ball valves, butterfly valves, and other return type valves.
- ▶ Multiple power supply voltages such as AC/DC 24V, 110V, 220V, etc. can be selected.
- ▶ The appearance is small and lightweight (thanks to the ABS shell), and the design does not require maintenance.



Performance Parameter of HSV Series

Performance Parameter	
Power supply voltage	AC220V DC24V DC12V 50Hz 60Hz
Rated power	AC20W DC2W
Rated current	AC0.2A DC0.15A
Output torque	30Nm
Action time	5~15s
Rotation angle	0~90°
Protection level	IP67

① Note: If you need other parameters of electric actuators, please contact us for more information.

HTY Series Solar Electric Actuator

OVERVIEW

- > Simple & Sensitive Operation;
- > Automated Irrigation (Unmanned);
- > Intelligent Control: Timed operation, precise adjustment, remote zoning;
- > Multiple Irrigation Modes;
- > Safe & Reliable: Auto shut-off on power loss.;
- > Water-Saving: Reduces waste significantly.;
- > Cost-Effective: Saves labor, materials, and costs.;
- > Efficiency Booster: Enhances irrigation productivity;
- > Resource Optimizer: Optimizes resource allocation.



Control mode	Remote control platform	Mobile APP Desktop Platform WeChat Mini Program
Communication method	Wireless Communications	Support 4G or LoRa, etc.
Protection grade	Protection	IP68 (completely dustproof and can be immersed in water for a long time)
Material and lifespan	Valve body material	PP reinforced engineering plastics
	Service life	>5Years
Irrigation mode	Control Mode	Single control, timing, quantitative, grouping, rotation irrigation
Traffic Management	Flow balancing function	Support
Pipe diameter adaptation	Applicable pipe diameter range	DN32-DN110
	Power supply mode	Support solar power supply
Power supply and protection	Low power protection	Low power automatic valve closing protection
	One-click valve search	Support
Operation function	Manual switch valve	Support
	Opening control	The opening can be precisely controlled (0~100°)
	Alarm function	With various status alarm functions

Note: If you need other parameters of electric actuators, please contact us for more information.

Pneumatic/electric actuator experts empower industrial automation with precise driving and reliable power, making them your trusted choice for efficient processes and controlling the future.



NO.1 Dingmao National Science and
Technology Incubator, New District,Zhenjiang,China

WEB: www.hgzk-valve.com
TEL : 0511-88800505
E-MAIL: sale@hgzkvalve.com

Professional spirit,innovative ideas,pragmatic style,scientific research strength,
sophisticated equipment,created a new image of HGZK VALVE.
This series of products are widely used in water supply and drainage ,
fire control,high-rise building,HVAC,power, petrochemical,chemical,metallurgical and other industries.



Jiangsu Huagong Automatic Control Valve CO.LTD

Precision Driven, Future Commanded.

