

# VALVE ACTUATOR



## HGZK AUTOMATIC VALVE

EXPERT IN ACTUATORS

FOCUS ON PNEUMATIC AND ELECTRIC ACTUATORS

江苏华工自控阀门有限公司

Jiangsu Huagong Automatic Control Valve CO.LTD

[www.hgzk-valve.com](http://www.hgzk-valve.com)

# Contents

## 目录

- 01** HAT 系列气动执行机构  
HAT Series Pneumatic Actuator
- 02** HBC 系列气动执行机构  
HBC Series Pneumatic Actuator
- 03** GBC 系列气动执行机构  
GBC Series Pneumatic Actuator
- 04** HTV 系列气动执行机构  
HTV Series Pneumatic Actuator
- 05** HGP 系列气动执行机构  
HGP Series Pneumatic Actuator
- 06** CP101/126 系列气动执行机构  
CP101/126 Series Pneumatic Actuator
- 07** HGR 系列电动执行机构  
HGR Series Electric Actuator
- 08** HGX 系列电动执行机构  
HGX Series Electric Actuator
- 09** HGQ 系列电动执行机构  
HGQ Series Electric Actuator
- 10** HQT 系列电动执行机构  
HQT Series Electric Actuator
- 11** HGZ 系列多回转型电动执行机构  
HGZ Series Multiple Transformations of Electric Actuators
- 12** HRB 系列精小型防爆电动执行机构  
HRB Series Compact Explosion-proof Electric Actuator
- 13** HGV 系列电动执行机构  
HGV Series Electric Actuator
- 14** HXV 系列电动执行机构  
HXV Series Electric Actuator
- 15** HGL 系列电动执行机构  
HGL Series Electric Actuator
- 16** HSV 系列塑料电动执行机构  
HSV Series Plastic Electric Actuator
- 17** HTY 系列太阳能电动执行机构  
HTY Series Solar Electric Actuator

## HAT系列气动执行机构 HAT Series Pneumatic Actuator

### 概述 | OVERVIEW

- 采用双活塞齿轮齿条结构设计;
  - 精密齿加工, 确保传动效率, 降低传动冲击;
  - 压制铝制缸体, 内部采用防腐设计;
  - 生产符合ISO9001体系规范;
  - 符合ISO5211\|DIN3337和VDI\|VDE3845等国际规范;
  - 完全支持NUMAR标准;
  - 可按需提供304或316不锈钢输出轴;
  - 可选附件: 支架、连接件、电磁阀、限位开关盒、接近式传感器、齿轮箱(手轮机构)、定位器。
- Adopts dual-piston gear rack structure design;
  - Precision gear processing ensures transmission efficiency and reduces transmission impact;
  - Extruded aluminum cylinder body, with anti-corrosion design inside;
  - Production complies with ISO9001 system specifications;
  - Complies with international specifications such as ISO5211\|DIN3337 and VDI\|VDE3845;
  - Fully supports NUMAR standards;
  - 304 or 316 stainless steel output shafts can be provided upon request;
  - Optional accessories: bracket, connector, solenoid valve, limit switch box, proximity sensor, gear box (handwheel mechanism), positioner.

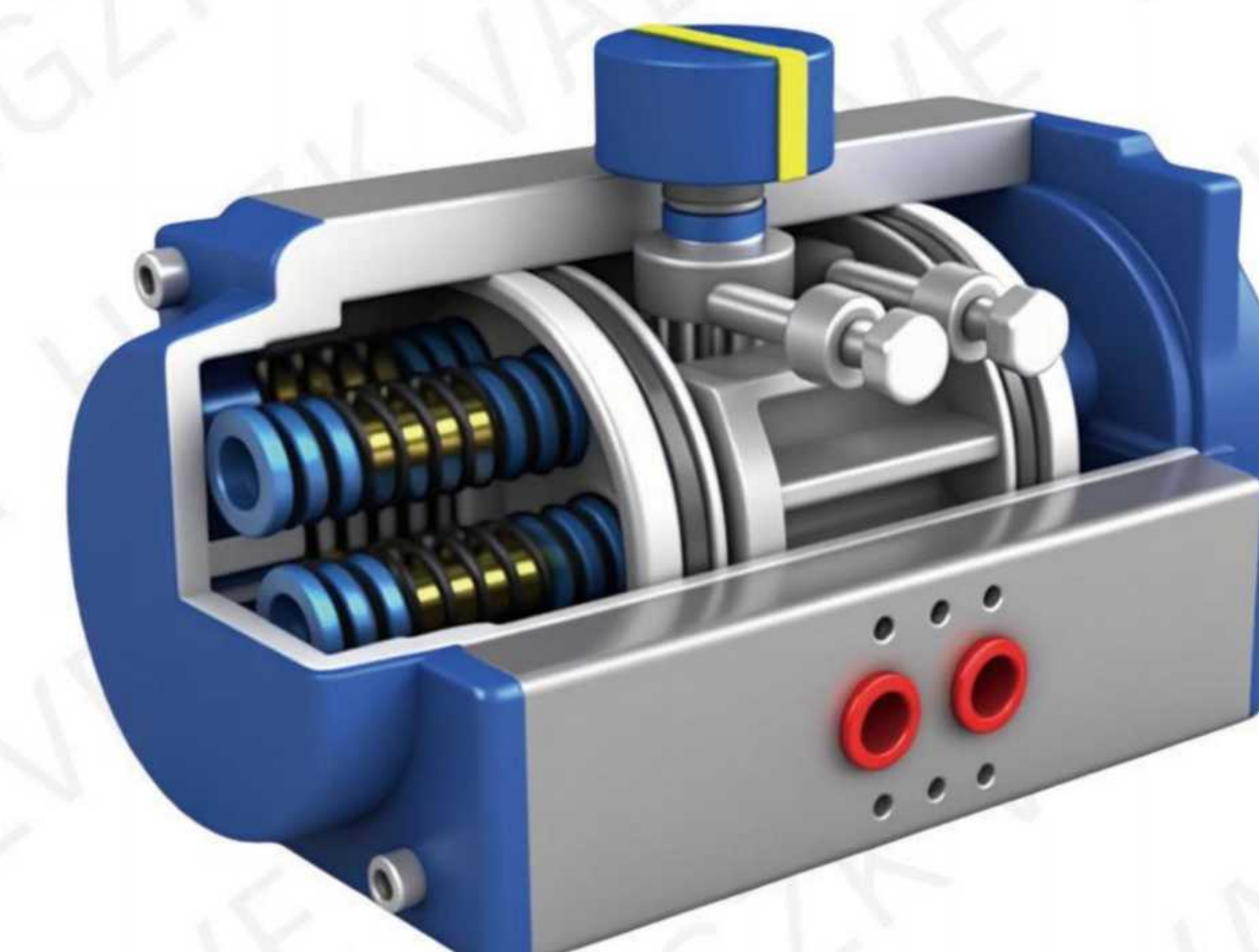


### Basic Specifications of HAT Series

基础规格 Basic Specifications				
型号 Model	类型 Type	弹簧数量 Number of springs	法兰类型 Flange type	四方 Square
HAT032		/	F03	9×9
HAT050			F03/F05	11×11
HAT065			F05/F07	14×14
HAT075			F05/F07	14×14
HAT085			F05/F07	17×17
HAT095			F05/F07	17×17
HAT110			F07/F10	17×17
HAT125	双作用或单作用 Double acting or single acting	4-12 (仅影响弹簧复位性能) 4-12 (only affects the spring reset performance)	F07/F10	22×22
HAT140			F10/F12	27×27
HAT160			F10/F12	27×27
HAT190			F10/F14	36×36
HAT210			F14	36×36
HAT240			F16	46×46
HAT270			F16	46×46
HAT300			F16	46×46
HAT350			F16/F25	46×46
HAT400			F25	55×55

Note: If you need other parameters of pneumatic actuators, please contact us for more information.

如需气动执行机构其他参数, 可联系我们了解更多



#### 双作用执行器选型 | Double-acting Actuator Selection

在正常操作条件下, 双作用执行器考虑的安全系数为20%-30%  
Under normal operating conditions, the safety factor considered for double-acting actuators is 20%-30%

##### 示例 SAMPLE

阀门所需力矩 Valve torque required	100Nm
安全力矩 Safety torque	100×(1+30%)=130Nm
气源压力 Air source pressure	5Bar

联系我们对照双作用力矩表选型表, 选配您所需的双作用执行器。  
Note: Contact us to select the double-acting actuator you need by referring to the double-acting torque table selection table.

#### 单作用执行器选型 | Single-acting Actuator Selection

在正常操作条件下, 单作用执行器考虑的安全系数为30%-50%  
Under normal operating conditions, the safety factor considered for single-acting actuators is 30%-50%

##### 示例 SAMPLE

阀门所需力矩 Valve torque required	80Nm
安全力矩 Safety torque	80×(1+30%)=104Nm
气源压力 Air source pressure	5Bar

联系我们对照单作用力矩表选型表, 选配您所需的单作用执行器。  
Note: Contact us to select the single-acting actuator you need by referring to the single-acting torque table selection table.

## HBC系列气动执行机构 HBC Series Pneumatic Actuator

### 概述 | OVERVIEW

- › 小体积，大扭矩；
- › 单作用执行机构单弹簧设计，提升可靠性；
- › 降低压缩空气用量达35%；
- › 承载件采用高强度合金钢；
- › 完全支持NUMAR标准；
- › 0°/90°位置均为±5°可调；
- › 拨叉与轴采用花键连接，安装方便强度高；
- › 采用双活塞拨叉式结构设计；
- › 生产符合ISO9001体系规范；
- › 可选附件：支架、连接件、电磁阀、限位开关、接近式传感器、手轮机构、定位器；
- › 轴与活塞间全轴承传动，降低摩擦阻力；
- › 高起动力矩，更符合阀门扭矩特征；
- › 端盖和缸体之间采用异型密封圈设计，避免橡胶堵头吸入；
- › 符合ISO5211/DIN3337和VDI/VDE3845等国际规范；
- › Small size, large torque;
- › Single-acting actuator single spring design improves reliability; Reduces compressed air consumption by 35%;
- › The bearing parts are made of high-strength alloy steel;
- › Fully supports NUMAR standards;
- › 0°/90° positions are both adjustable by ±5°;
- › The fork and shaft are splined, which is easy to install and has high strength;
- › The double-piston fork structure design is adopted;
- › The production complies with ISO9001 system specifications;
- › Optional accessories: bracket, connector, solenoid valve, limit switch, proximity sensor, handwheel mechanism, positioner;
- › Full bearing transmission between shaft and piston reduces friction resistance;
- › High starting torque, more in line with valve torque characteristics;
- › Special-shaped sealing ring design is adopted between the end cover and the cylinder body to avoid rubber plug inhalation;
- › Complies with international specifications such as ISO5211/DIN3337 and VDI/VDE3845;



单作用系列 | Single Acting Series



双作用系列 | Double Acting Series



### Basic Specifications of HBC Series

基础规格 Basic Specifications			
型号 Model	弹簧 Spring	法兰 Flange	四方 Square
HBC100	双作用或单作用 Double acting or single acting	F05/F07	14×14
HBC150		F05/F07	14×14
HBC250		F07/F10	17×17
HBC350		F07/F10	22×22
HBC450		F10/F12	22×22
HBC800		F10/F12	27×27
HBC1000		F10/F14	36×36
HBC1500		F14	36×36
HBC2000		F14	36×36

Note: If you need other parameters of pneumatic actuators, please contact us for more information.  
① 如需气动执行机构其他参数，可联系我们了解更多

### 工作条件 | Working Conditions

工作介质：经过滤干燥的压缩空气或惰性气体，无需润滑  
Working medium: filtered and dried compressed air or inert gas, no lubrication required

### 使用温度 Operating Temperature

标准 Standard	-20°C~+80°C
高温 High temperature	-20°C~+150°C
低温 Low temperature	-50°C~+60°C

操作压力 Operating pressure 2-8Bar

① 联系我们对照双作用力矩表选型表，选配您所需的双作用执行器。  
Note: Contact us to select the double-acting actuator you need by referring to the double-acting torque table selection table.

## GBC系列气动执行机构 GBC Series Pneumatic Actuator

### 概述 | OVERVIEW

- ▶ 小扭矩结构紧凑型HGC (F07-F14法兰, 扭矩80-2000NM) ;
  - ▶ 大扭矩全模块化型(F14-F60法兰, 双作用扭矩250000NM,单作用120000NM);
  - ▶ 模块化设计, 有多种组合, 方便现场维护, 故障位置切换;
  - ▶ 内拉杆设计对活塞起到了支撑和导向的作用, 防止气缸偏磨;
  - ▶ 环境温度范围: 标准型-20°C~80°C; 高温型-10°C~150°C; 低温型-40~80°C; 超低温型-60°C~80°C;
  - ▶ 连接尺寸标准: ISO5211,NAMUR;
  - ▶ 气动操作压力: 3~8Bar.
- ▶ Small torque compact HGC (F07-F14 flange, torque 80-2000NM);
  - ▶ Large torque fully modular (F14-F60 flange, double-acting torque 250000NM, single-acting 120000NM);
  - ▶ Modular design, with multiple combinations, convenient on-site maintenance, fault location switching;
  - ▶ The inner tie rod design supports and guides the piston to prevent eccentric wear of the cylinder;
  - ▶ Ambient temperature range: Standard type -20°C~80°C; High temperature type -10°C~150°C; Low temperature type -40~80°C; Ultra-low temperature type -60°C~80°C;
  - ▶ Connection size standard: ISO5211, NAMUR;
  - ▶ Pneumatic operating pressure: 3~8Bar.

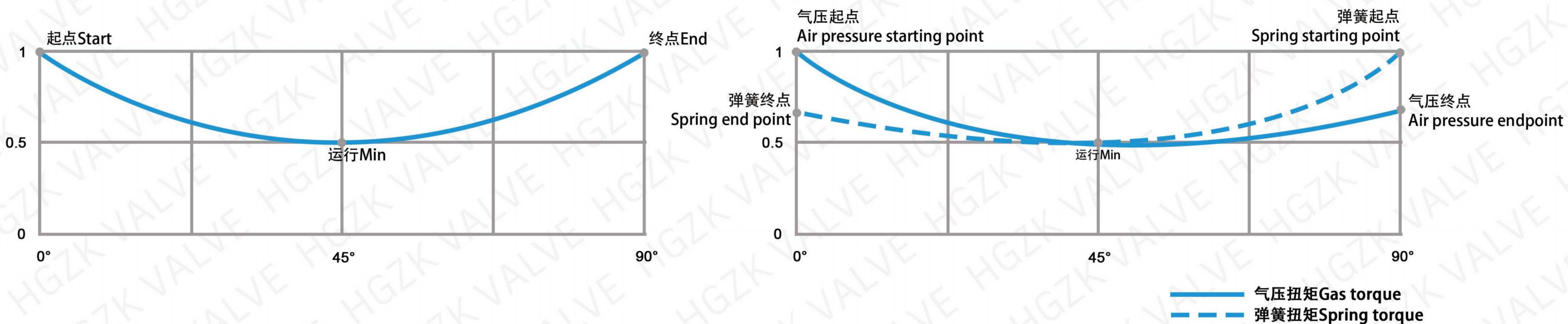


双作用执行器 | Double Acting Actuator



单作用执行器 | Single Acting Actuator

### 扭矩表 | Torque Table



### 气缸容积 | Cylinder Capacity

气缸有效容积Effective Cylinder Volume( L )

型号Model	200	250	300	350	400	500	600	700	700 D	800	800 D	900	1000
GBC1	6.8	10.6	15.4	18.2									
GBC2		10.6	15.4	18.2	21.3								
GBC3			18.4	21.7	27.5	43							
GBC4				26.6	33.7	53	76						
GBC5						69	100	145		189			
GBC6							124	180	360	234		296	
GBC7								214		275	550	353	430

① 联系我们对照力矩表选型表, 选配您所需的执行器。  
Note: Contact us to select the actuator you need by comparing the torque table selection table.

## HTV系列气动执行机构 HTV Series Pneumatic Actuator

### 概述 | OVERVIEW

- 采用一体式通用紧凑设计;
  - 符合ISO5211、DIN3337和VDI/VDE3845等国际规范;
  - 完全支持NUMAR标准;
  - 具备良好的可互换性, 便于安装电磁阀、限位开关等相关附件;
  - 高精度齿轮齿条加工, 传动更精确, 输出功率更大;
  - 压制铝质缸体: 内部外部皆采用防腐措施;
  - 轴承导向一体化齿轮设计, 提高安全性;
  - 高质量的轴承, 密封性好且摩擦系数低, 使用寿命长适用温度范围广。
- Adopts integrated universal compact design;
  - Complies with international standards such as ISO5211, DIN3337 and VDI/VDE3845;
  - Fully supports NUMAR standards;
  - Has good interchangeability, easy to install solenoid valves, limit switches and other related accessories;
  - High-precision gear rack processing, more accurate transmission, greater output power;
  - Extruded aluminum cylinder: anti-corrosion measures are adopted both inside and outside;
  - Bearing guide integrated gear design to improve safety;
  - High-quality bearings, good sealing and low friction coefficient, long service life and wide applicable temperature range.



### Basic Specifications of HTV Series

基础规格 Basic Specifications

型号 Model	类型 Type	弹簧数量 Number of springs	法兰类型 Flange type	四方 Square
HTV032	双作用或单作用 Double acting or single acting	4-12 (仅影响弹簧复位性能) 4-12 (only affects the spring reset performance)	F03	9×9
HTV050			F03/F05	11×11
HTV065			F05/F07	14×14
HTV075			F05/F07	14×14
HTV085			F05/F07	17×17
HTV095			F05/F07	17×17
HTV110			F07/F10	17×17
HTV125			F07/F10	22×22
HTV140			F10/F12	27×27
HTV160			F10/F12	27×27
HTV190			F10/F14	36×36
HTV210			F14	36×36
HTV240			F16	46×46
HTV270			F16	46×46
HTV300			F16	46×46
HTV350			F16/F25	46×46
HTV400			F25	55×55

Note: If you need other parameters of pneumatic actuators, please contact us for more information.

如需气动执行机构其他参数, 可联系我们了解更多

### 技术数据 (公制) | Technical Data (Metric)

	HTV032		HTV050		HTV065		HTV075		HTV085		HTV095		HTV110		HTV125		HTV140		HTV160		HTV190		HTV210		HTV240		HTV270		HTV300		HTV350		HTV400	
	D	S	D	S	D	S	D	S	D	S	D	S	D	S	D	S	D	S	D	S	D	S	D	S	D	S	D	S	D	S	D	S	D	S
缸径 Bore (mm)	32		50		65		75		85		95		110		125		140		160		190		210		240		270		300		350		400	
打开容积 Vol Open (L)	0.03		0.09		0.19		0.30		0.44		0.88		0.83		1.41		1.76		2.85		4.75		6.60		11.40		15.80		19.09		27.65		42.81	
关闭容积 Vol Close (L)	0.04		0.15		0.15		0.50		0.66		1.17		1.27		2.13		2.72		4.08		7.20		10.29		15.10		18.80		28.23		44.10		62.05	
打开时间 Open Time (s)	0.3	0.3	0.9	0.4	0.9	0.4	0.9	0.9	1.0	0.9	1.4	0.9	1.4	1.3	2.4	1.3	2.8	2.0	4.8	2.2	2.4	2.9	3.4	3.2	3.81	4.4	5.0	5.0	6.0	6.2	7.4	7.5	9.6	
关闭时间 Close Time (s)	0.4	0.4	0.7	0.4	0.8	0.4	0.9	0.9	1.2	1.0	1.4	1.0	1.6	1.4	2.4	1.4	3.0	2.4	4.9	2.6	3.0	3.8	4.1	3.7	4.0	4.9	5.5	6.0	6.8	7.2	8.4	8.5	10.6	
重量 Weight (kg)	0.47		1.13	1.25	1.97	2.21	2.93	3.29	3.78	4.26	5.14	5.86	6.09	7.17	10.86	12.54	13.77	15.93	20.15	23.75	28.41	33.81	40.03	48.43	52.6	77.76	73.64	90.6	108	135.6	146.7	188.1	220.5	283.5

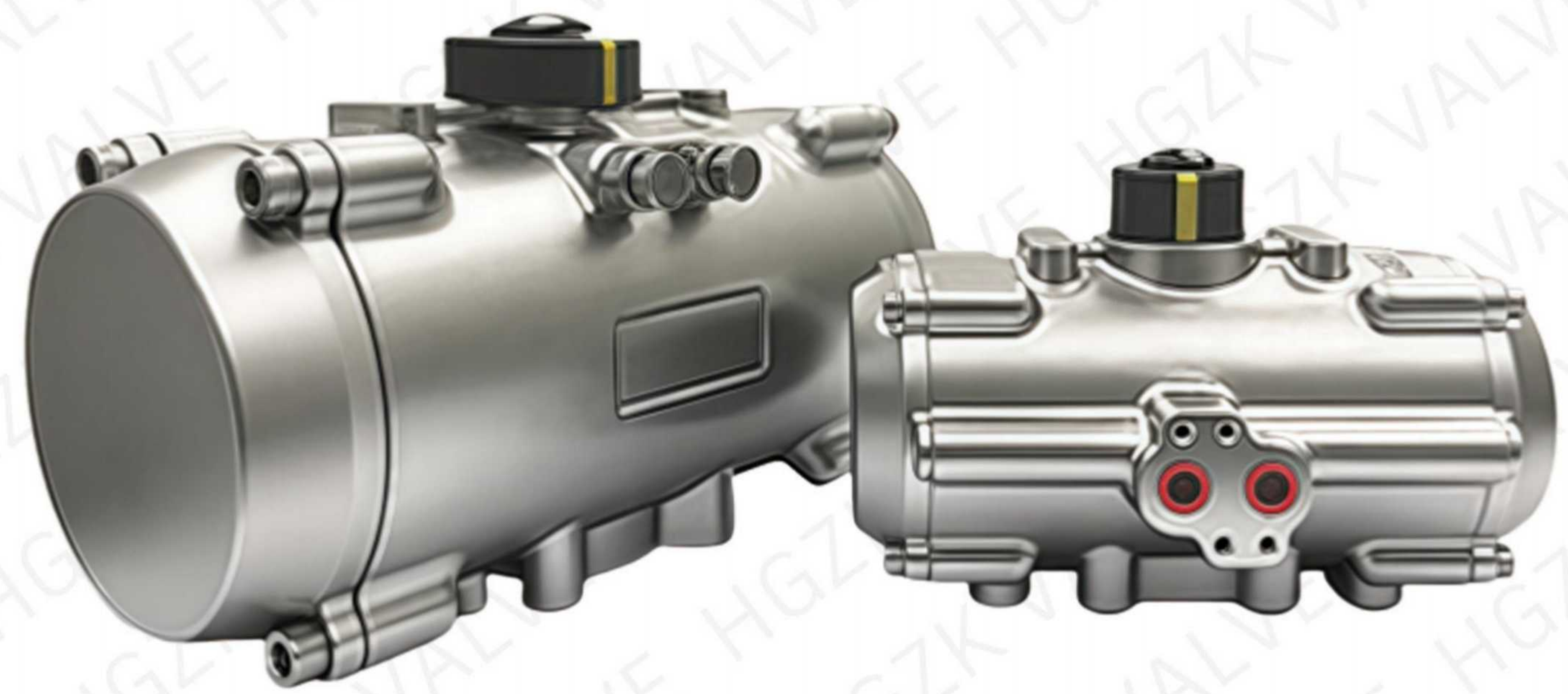
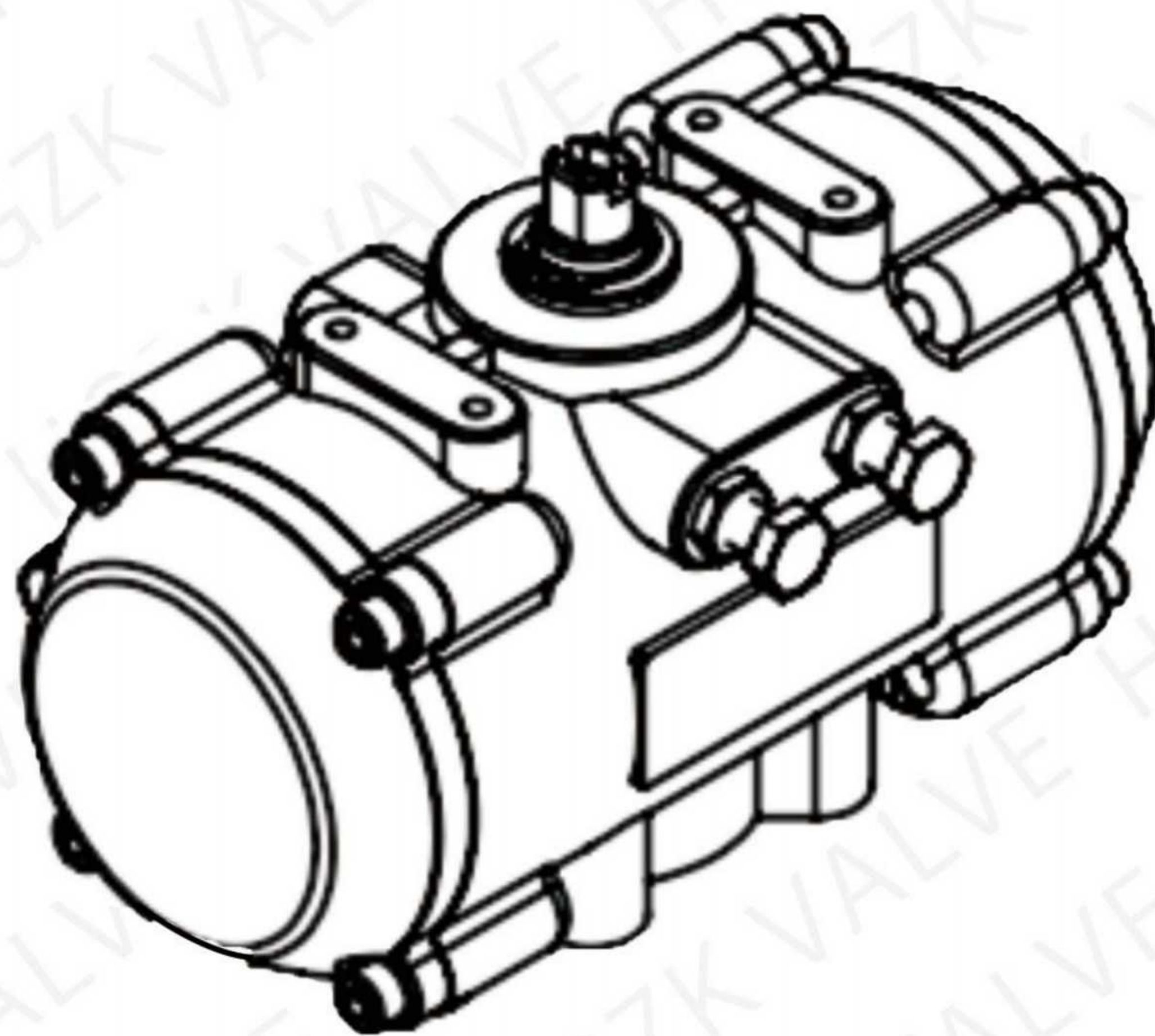
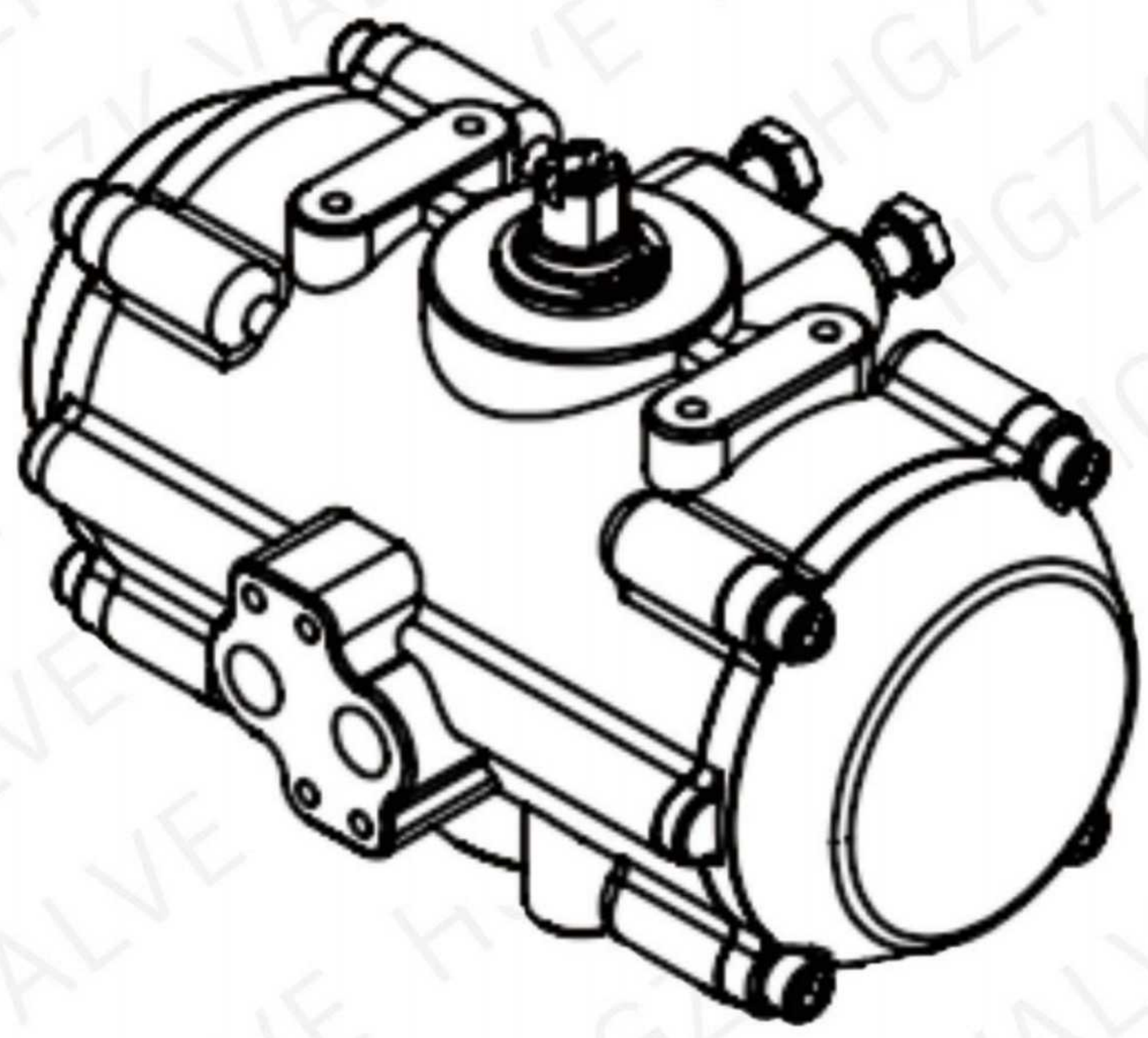
联系我们对照力矩表选型表, 选配您所需的执行器。

Note: Contact us to compare the torque table selection table and select the actuator you need

## HGP系列气动执行机构 HGP Series Pneumatic Actuator

### 概述 | OVERVIEW

- 高性能输出扭矩选择范围广；
  - 优越的耐腐蚀性，适用于大多数腐蚀性化学物质与腐蚀性的工业环境；
  - 运行平稳，使用寿命长；
  - 安装连接尺寸符合国际标准
  - 符合NAMUR以及ISO5211/DIN3337安装标准，方便安装电磁阀，限位开关等附件；
  - 简约，合适，时尚的平滑外观，避免了灰尘污垢的堆积；
  - 高精度弹簧复位更快，高精度齿轮加工传动更精确。
- High-performance output torque with a wide range of options;
  - Excellent corrosion resistance, suitable for most corrosive chemicals and corrosive industrial environments;
  - Smooth operation and long service life;
  - Installation and connection dimensions meet international standards; Comply with NAMUR and ISO5211/DIN3337 installation standards, convenient for installation of solenoid valves, limit switches and other accessories;
  - Simple, suitable, stylish and smooth appearance avoids the accumulation of dust and dirt;
  - High-precision spring resets faster, and high-precision gear processing transmission is more accurate.



### 工作操作条件 | Operating Condition

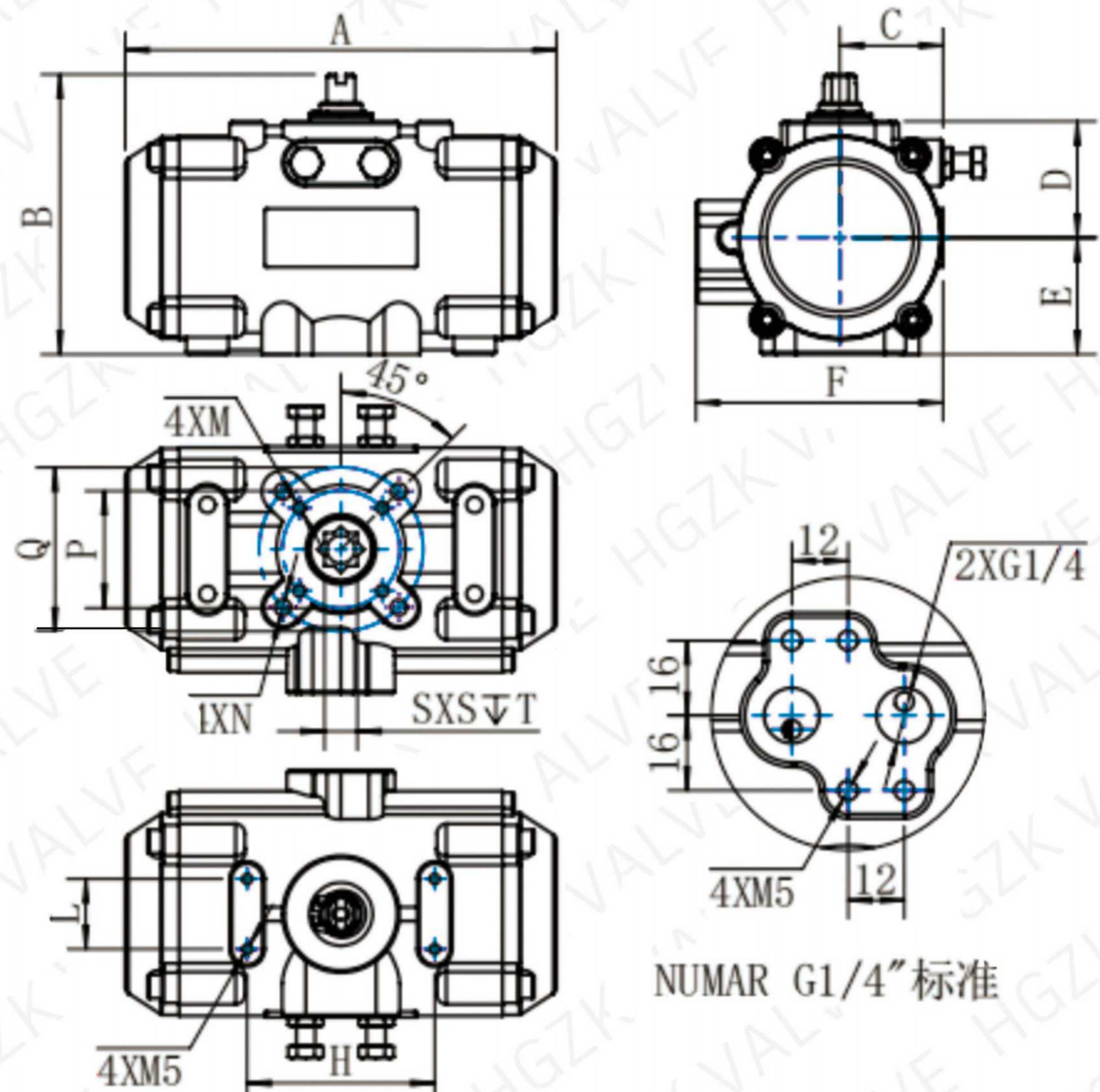
操作介质：干燥或润滑的空气或非腐蚀性气体，最大颗粒径必须小于30微米  
Operating media: Dry or lubricated air or the non-corrosive gases  
The maximum particle diameter must less than 30 um

### 示例 SAMPLE

供气压力 Air supply pressure	2.5Bar ( MIN ) 8.0Bar ( MAX )
行程调整 Travel adjustment	0°- 90° ( ±5° )
工作温度 Operating Temperature	
标准 Standard	-20°C ~ +80°C
低温 Low temperature	-35°C ~ +80°C
高温 High temperature	-15°C ~ +150°C

Note: If you need other parameters of pneumatic actuators, please contact us for more information.

● 如需气动执行机构其他参数，可联系我们了解更多



## CP101/126系列气动执行机构 CP101/CP126 Series Pneumatic Actuator

### 概述 | OVERVIEW

- 电气驱动架和CP型活塞式驱动器适合于控制 VFS型蝶阀, VSS型球阀以及DVA型双向分流阀的开启和关闭;
  - 工作压力: 2 ~ 8 bar (29 ~116 PSI);
  - CP型驱动器上的花键轴和轴套连接符合DIN 5482标准。坚固而紧凑的设计;
  - 可与WAM生产的其他类型驱动器互换;
  - 持久耐用, 高协调性;
- The electric drive frame and CP piston actuator are suitable for controlling the opening and closing of VFS butterfly valves, VSS ball valves and DVA bidirectional diverter valves;
  - Working pressure: 2 ~ 8 bar (29 ~116 PSI);
  - The spline shaft and sleeve connection on the CP actuator conforms to DIN 5482 standard.
  - Sturdy and compact design; Interchangeable with other types of actuators produced by WAM;
  - Durable and highly compatible;



CP101圆支架  
Round bracket



CP101方支架  
Square bracket



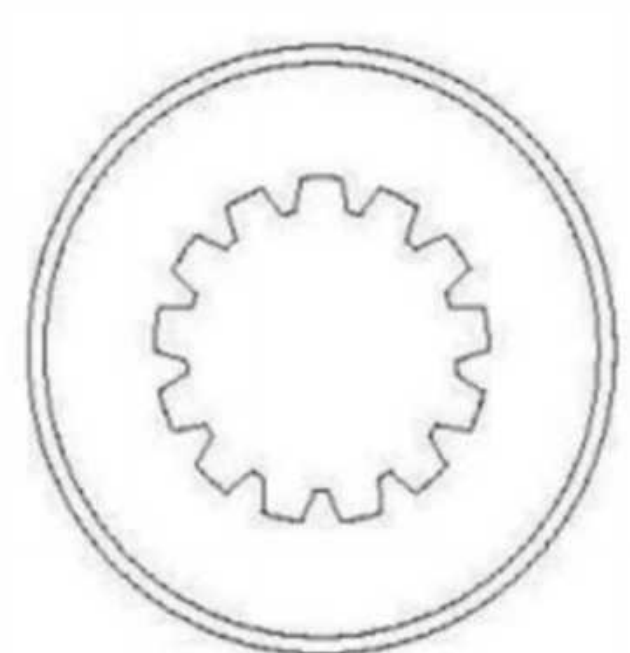
CP126圆支架  
Round bracket



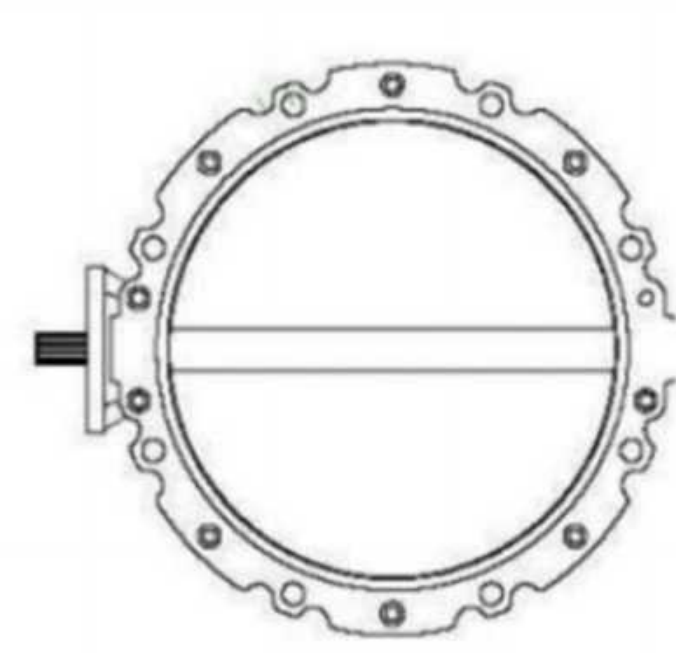
CP126方支架  
Square bracket



#### Unique structure



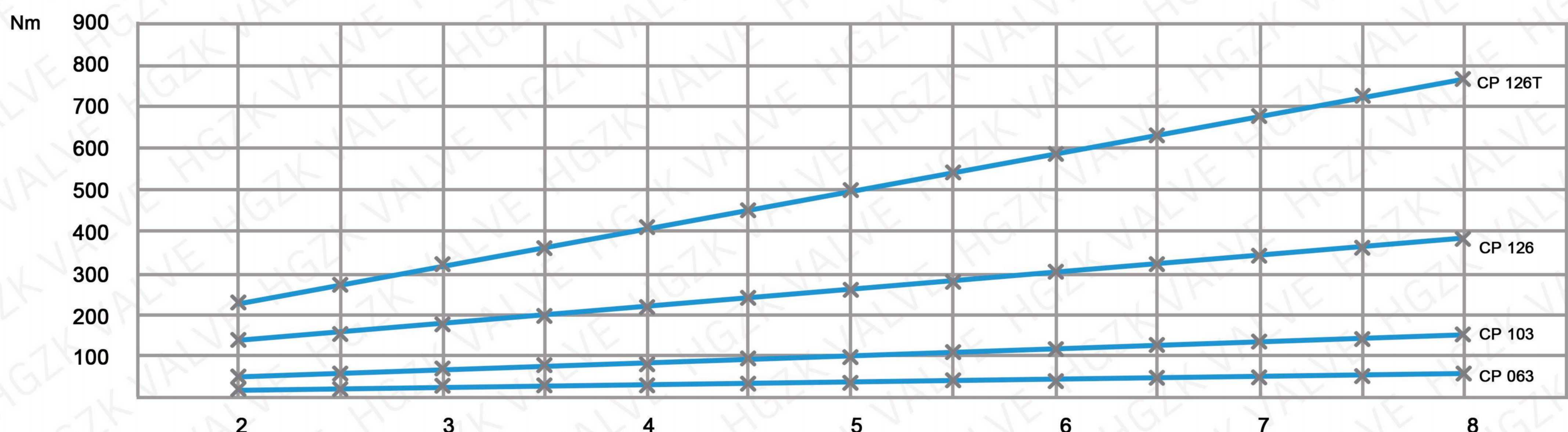
The connection with the spline connection, sturdy and durable, convenient adjustment.



Aluminum alloy body with one type of die casting, so that the overall more portable products.

#### Basic Specifications of CP Series

基础规格 Basic Specifications					
型号 Model	接口螺纹 Thread	接管尺寸 Connection sizes	耗气量 GC	过程时间 (s) Process time	重量 KG
CP063	1/8"	8×6	2.0 (×2)	0.8	2.8
CP101	1/8"	8×6	4.4 (×2)	0.8	3.3
ACP101	1/8"	8×6	4.4 (×2)	0.8	3.3
CP101T	1/8"	8×6	4.4 (×2)	0.8	3.3
CP126	1/4"	8×6	6.3 (×2)	0.5	9.5
CP126T	1/4"	8×6	6.3 (×2)	0.5	9.5



Pressure(2-8Bar)  
使用压力 (2-8Bar)

## HGR系列电动执行机构 HGR Series Electric Actuator

### 概述 | OVERVIEW

- › 底部内八角安装;
  - › 开度显示屏, 角度开关位置清晰可见;
  - › 采用机械、电子双重限位, 防止过位, 使用更便捷;
  - › 采用液晶屏, 氢气的行程指示, 简洁方便;
  - › 有开关型, 调节型可供选择;
  - › 精密耐磨, 合金锻造, 强度高, 耐磨性好;
  - › 防腐防锈, 支架连接器, 螺钉皆采用不锈钢。
- › Installation at the bottom inner octagon;
  - › Opening display screen, angle switch position is clearly visible;
  - › Mechanical and electronic double limiters are used to prevent over-positioning, making it more convenient to use;
  - › LCD screen and hydrogen stroke indication are used, which is simple and convenient;
  - › Switch type and adjustment type are available;
  - › Precise wear-resistant, alloy forging, high strength, good wear resistance;
  - › Anti-corrosion and rust-proof, bracket connectors, and screws are all made of stainless steel.



### Performance Parameter of HGR Series

性能参数 Performance Parameter									
型号 Model	输出扭矩 Output torque	动作时间90° Operating time		输出轴 Output axis	额定功率 Rated power	额定电流 Rated Current-50/60HZ			重量 Weight
		特殊 Special	标准 Standard			毫米 MM	W	AC 220V/A	
003	30	10	25	11×11	8	0.2	0.1	2	2.5
005	50	5/15	30	14×14	12	0.22	0.1	2	3.5
010	100	5/15	30	17×17	25	0.3	0.15	2.5	4.7
015	150	5/15/30	40	17×17	35	0.38	0.2	5	5
020	200	5/15	30	22×22	60	0.5	0.25	8.5	9
040	400	5/15	45	22×22	68	0.52	0.25	8.5	9
060	600	5/15/90	60	22×22	100	0.75	0.4	8.5	11
100	1000	5/15/40	60	27×27	100	0.75	0.4	10	11
200	1800	5/15/40	60	27×27	120	0.9	0.5	10	11.5

Note: If you need other parameters of electric actuators, please contact us for more information.

如需电动执行机构其他参数, 可联系我们了解更多



#### 基础开关型 | Basic switch type

即开即关, 全开全关, 开到位停止, 关到位停止, 不可调节开度。

Open and close immediately, fully open and fully closed, stop when fully opened and stop when fully closed, the opening cannot be adjusted.

耐压等级Withstand voltage level	AC1500V
防护等级Protection level	IP65

#### 一块板调节型 | One plate adjustment type

根据信号调节开关角度, 可实现温控、压力、流量调节, 可调节开度, 无液晶显示。

Adjust the switch angle according to the signal to achieve temperature control, pressure, and flow regulation, adjustable opening, no LCD display.

控制/反馈信号Control/Feedback Signal	4-20mA/0-10V
输入精度误差Input accuracy error	≤ ±0.5%

#### 液晶一体化调节型 | LCD integrated adjustment type

根据信号调节开关角度, 可实现温控、压力、流量调节, 可调节开度, 液晶显示。

Adjust the switch angle according to the signal to achieve temperature control, pressure, and flow regulation, adjustable opening, LCD display.

控制/反馈信号Control/Feedback Signal	4-20mA/0-10V
输入精度误差Input accuracy error	≤ ±0.5%

## HGX系列电动执行机构 HGX Series Electric Actuator

### 概述 | OVERVIEW

- ▶ 精密耐磨：蜗轮输出轴采用特殊锻造工艺其具有高强度和良好的耐磨性。
- ▶ 保护装置：双限位、过热保护、过载保护。
- ▶ 多种速度：5秒、10秒、30秒的全行程时间，60秒、90秒、120秒、240秒。
- ▶ 智能数控：数字设定，数字调谐，高精度，自我诊断和一台具有多种功能的机器。
- ▶ 集成一体：智能控制模块高度集成到电气中设备主体，无需外部定位器。
- ▶ 远程控制：采用更先进的智能控制模块，可以实现现场控制和远程控制。



Performance Parameter of **HGX** Series (Integrated adjustment type)

性能参数 Performance Parameter					
型号 Model	输出扭矩 Output torque	动作时间90° Operating time	工作电流 Working current	电机功率 Motor Power	重量 Weight
HGX05	50	20s	0.15A	20W	3kg
HGX10	100	30s	0.20A	30W	5kg
HGX16	160	30s	0.23A	35W	5.5kg
HGX30	300	30s	0.36A	60W	8kg
HGX60	600	30s	0.45A	90W	8.5kg
HGX100	1000	50s	0.90A	150W	15kg
HGX200	2000	70s	1.15A	250W	15.5kg
HGX400	4000	70s	1.60A	350W	16kg
HGX600	6000	70s			
HGX800	8000	70s			

Note: If you need other parameters of electric actuators, please contact us for more information.  
如需电动执行机构其他参数，可联系我们了解更多



### 基础开关型 | Basic switch type

即开即关，全开全关，开到位停止，关到位停止，不可调节开度。

Open and close immediately, fully open and fully closed, stop when fully opened and stop when fully closed, the opening cannot be adjusted.

耐压等级Withstand voltage level	AC1500V 1Min
防护等级Protection level	IP65
环境温度Ambient temperature	-25°C~60°C

### 内置模块调节型 | Built in module adjustable type

根据信号调节开关角度，可实现温控、压力、流量调节，可调节开度。

Adjust the switch angle according to the signal to achieve temperature control, pressure, and flow regulation, adjustable opening.

控制/反馈信号Control/Feedback Signal	4-20mA
输入精度误差Input accuracy error	≤ ± 0.1%
回差Hysteresis	0.0 - 25.0%

## HGQ系列电动执行机构 HGQ Series Electric Actuator

### 概述 | OVERVIEW

- ▶ 本系列阀门电动执行器适用于中小口径的蝶阀、球阀等作90°回转的阀门和其他类似设备。
  - ▶ 作为稳定可靠的角行程执行器，可适用于不同控制系统、不同工作环境的需要。
  - ▶ 传动机构一体化的设计，使产品具有更小的体积和简洁的外观。
  - ▶ 安全可靠的手动设计，无须切换手柄的全自动手/电动切换。
  - ▶ 良好的防护等级可满足多种设计的需要：隔爆型、整体开关型、整体调节型。
- ▶ This series of valve electric actuators is suitable for small and medium-sized butterfly valves, ball valves, and other similar equipment that can rotate 90°.
  - ▶ As a stable and reliable angular actuator, it can be adapted to the needs of different control systems and working environments.
  - ▶ The integrated design of the transmission mechanism enables the product to have a smaller volume and a simpler appearance.
  - ▶ Safe and reliable manual design, fully automatic manual/electric switching without the need to switch handles.
  - ▶ A good level of protection can meet the needs of various designs: explosion-proof type, integral switch type, and integral adjustment type.



■ 开关型  
Switch type



■ 旋钮智能型  
Knob intelligent type

### Main Specifications of HGQ Series

输入信号 Input signal	4mA~20mA; 无源触点/Passive contact
基本误差限 Basic error limit	≤ 1%
防护等级 Protection class	IP65 \ IP68.....
防爆等级 Explosion-proof grade	ExdII BT4 \ ExdII CT4
环境温度 Ambient temperature	-30°C~+70°C (可选/Optional: -40°C~+100°C)
环境湿度 Environment humidity	≤ 95% (25°C)



### 性能参数 Performance Parameter

型号 Model	输出扭矩 Output torque	输出转速 Output speed	最大阀杆直径 Maxmun steam dameter	手动速比 Manual speed race	电机功率 (W) Motor power		额定电流 (A) Rated current		参考重量 Reference weight
					380V	220V	380V	220V	
Q05	50	0.5/1	Φ19	70:1	25	25	0.08	0.12	7.32
Q10	100	0.5/1	Φ19	70:1	30	30	0.1	0.14	7.65
Q15	150	0.5/1	Φ19	70:1	35	35	0.12	0.17	7.85
Q20	200	0.5/1	Φ28	95:1	40	40	0.15	0.17	11.2
Q30	300	0.5/1	Φ28	95:1	50	50	0.2	0.2	11.35
Q40	400	0.5/1	Φ28	95:1	60	60	0.22	0.28	11.6
Q60	600	0.5/1	Φ38	89:1	90	90	0.26	0.5	19.6
Q90	900	0.5/1	Φ38	89:1	120	120	0.4	0.6	20.2
Q120	1200	0.5/1	Φ38	89:1	150	150	0.5	0.8	21.2
Q200	2000	0.5/1	Φ38	89:1	180	180	0.8	0.95	22.5

Note: If you need other parameters of electric actuators, please contact us for more information.

① 如需电动执行机构其他参数，可联系我们了解更多

## HQT系列电动执行机构 HQT Series Electric Actuator

### 概述 | OVERVIEW

- › 壳体为硬质铝合金，耐腐蚀性能强，防护等级为IP67;
  - › 电机为全封闭式鼠笼式电机，体积小，扭矩大，惯性力小，绝缘等级为F级，内置过热保护;
  - › 指示器安装在中心轴上，可以观察阀门位置;
  - › 精密双涡轮蜗杆机构可高效传输大扭矩，效率高、噪音低、寿命长、稳定可靠，有自锁功能，防止惯性传动和逆向传动;
  - › 所有部件固定螺丝均采用不锈钢材质;
  - › 阀位数字显示，执行器在打开或开关过程中，阀位的变化在控制模块及显示屏上以数字方式实时显示。
- › The housing is made of hard aluminum alloy with strong corrosion resistance and IP67 protection grade;
  - › The motor is a fully enclosed squirrel cage motor with small size, large torque, small inertia force, Insulation grade is F grade, with built-in overheat protection;
  - › The indicator is installed on the center axis to observe the valve position;
  - › The precision double-turbine worm mechanism can efficiently transmit large torque, with high efficiency, low noise, Long life, stable and reliable, with self-locking function to prevent inertial, transmission and reverse transmission;
  - › All component fixing screws are made of stainless steel;
  - › The valve position is digitally displayed. When the actuator is opened or switched, the change of the valve position is digitally displayed in real time on the control module and display screen.



■ 开关型  
Switch type

#### 性能参数

##### Performance Parameter of HQT Series with Switch Type

型号 Model	最大输出扭矩 (MAX) Output torque	90° 行程时间 Duration	电机功率 Motor power	额定电流 Rated current		手轮转数 Handwheel revolutions
				AC220V	AC380V	
	N*M	S	W			N
QT-010	100	18/22	25	0.55	≤0.1	10
QT-015	150	18/22	40	0.9	≤0.1	10
QT-020	200	21/25	40	0.9	≤0.1	11
QT-030	300	21/25	60	1.0	0.3	11
QT-040	400	26/31	90	1.2	0.55	14
QT-050	500	26/31	90	1.2	0.55	14
QT-060	600	26/31	120	1.9	0.6	14
QT-080	800	26/31	120	1.9	0.6	18
QT-090	900	31/37	180	2.4	1.2	18
QT-100	1000	31/37	200	2.6	1.4	18
QT-200	2000	93/112	200	2.6	1.4	50

#### 性能参数

##### Performance Parameter of HQT Series with Knob Adjustable Type

型号 Model	最大输出扭矩 (MAX) Output torque	90° 行程时间 Duration(S)	电机功率 Motor power	额定电流 Rated current		手轮转数 Handwheel revolutions
				AC220V	AC380V	
	N*M	S	W			N
QT-010	100	18/22	25	0.38	0.21	9
QT-015	150	18/22	40	0.5	0.25	10
QT-020	200	20/24	40	0.5	0.25	11
QT-050	500	25/29	120	0.98	0.52	13.5
QT-100	1000	26/33	200	1.74	0.76	16.5
QT-200	2000	85/104	200	1.74	0.76	49.5

Note: If you need other parameters of electric actuators, please contact us for more information.

① 如需电动执行机构其他参数，可联系我们了解更多



■ 旋钮调节型  
Knob adjustable type

## HGZ系列多回转型电动执行机构 HGZ Series Multiple Transformations of Electric Actuators

### 概述 | OVERVIEW

- › 多回转型电动执行机构，结构简单可靠；
  - › 图形点阵式液晶显示屏；
  - › 使用磁电绝对编码器，绝对编码器掉电和被干扰的状态下均不会对其造成影响，得到的阀门位置永远是正确的；
  - › 支持PROFIBUS、FF、MODBUS、HART等多种现场总线通信协议与控制方式；
  - › 阀门定位精度基本误差达1级精度；
  - › 插拔式或葵花盘式接线方式，维修简便快捷；
  - › 外壳防护等级IP68;防爆等级DIICT4.
- › Multi turn electric actuator with simple and reliable structure;
  - › Graphic dot matrix LCD display screen;
  - › Using a magneto electric absolute encoder, the absolute encoder will not be affected by power failure or interference, and the obtained valve position will always be correct;
  - › Supports various fieldbus communication protocols and control methods such as PROFIBUS, FF, MODBUS, HART, etc;
  - › The basic error of valve positioning accuracy reaches level 1 accuracy;
  - › Plug in or sunflower disk type wiring method, easy and fast maintenance;
  - › The enclosure protection level is IP68; Explosion proof grade DIICT4



■ 旋钮调节型  
Knob adjustable type



■ 开关型  
Switch type

### Performance Parameter of HGZ Series

性能参数 Performance Parameter

型号 Model	输出扭矩N*M Output torque	输出转速 r/min Output speed	最大阀杆直径mm (Max) stem diameter	手动速比 Manual speed ratio	电机功率KW Motor power	额定电流A Rated current	重量KG Weight
HGZ-05	50	18	28	1 : 1	0.12	0.6	20
HGZ-10	100	18	28	1 : 1	0.18	1.0	20
HGZ-15	150	18	28	1 : 1	0.25	1.2	20
HGZ-20	200	18	40	1 : 1	0.37	1.38	26
HGZ-30	300	18	40	1 : 1	0.55	2.7	26
HGZ-45	450	24	48	1 : 1	1.10	4.0	110
HGZ-60	600	24	48	1 : 1	1.50	4.12	120
HGZ-90	900	24	60	1 : 1	2.20	5.25	139
HGZ-120	1200	24	60	1 : 1	3.00	7.9	142
HGZ-180	1800	18	70	22.5 : 1	4.00	8.87	250
HGZ-250	2500	18	70	22.5 : 1	5.50	12.06	255
HGZ-350	3500	18	80	20 : 1	7.50	15.6	330
HGZ-500	5000	18	80	20 : 1	10.0	20.5	350

Note: The torque shown in the table is the maximum allowable set torque in both directions of rotation. If you need other speeds or more details, please contact us.

① 表内所示扭矩为两个旋转方向上的最大允许设定扭矩，如需其他转速或更多详情可联系我们。

## HRB系列精小型防爆电动执行机构 HRB Series Compact Explosion-proof Electric Actuator

### 概述 | OVERVIEW

- > 0° ~360° 角行程电动执行器机构;
  - > 可选电压: DC24V\AC24V\AC110V\AV220V\AC380V;
  - > 耐温性: -20°C~ +60°C;
  - > 防护等级: IP67/IP68;
  - > 防爆等级: Exd II CT6Gb
  - > 耐压等级: DC24V/AC24V;50VAC1分钟、AC110V/AC220V;1500VAC1分钟、AC380V; 1800VAC 1分钟;
  - > 任选功能: 过力矩保护, 除湿加热器
  - > 指针盘窗口采用钢化玻璃, 可通过外壳上方的指针盘观察阀位情况。
- > Electric actuator mechanism with 0 °~360 ° angular travel;
  - > Optional voltage: DC24V, AC24V, AC110V, AV220V, AC380V;
  - > Temperature resistance: -20 °C~+60 °C;
  - > Protection level: IP67/IP68;
  - > Explosion proof grade: Exd II CT6Gb
  - > Voltage withstand level: DC24V/AC24V; 50VAC for 1 minute AC110V/AC220V; 1500VAC for 1 minute AC380V; 1800VAC for 1 minute;
  - > Optional functions: Over torque protection, dehumidification heater
  - > The pointer disk window is made of tempered glass, The valve position can be observed through the pointer disk above the casing.



型号 Model	输出扭矩 Nm Output torque	配套阀门 Related valve		
		软密封球阀 PN1.6MPa Soft sealed ball valve	中线软密封蝶阀 PN1.0MPa Mid line soft seal butterfly valve	通风蝶阀 PN<1.0MPa Ventilation butterfly valve
HRB05	50	DN15-32	DN50-80	DN50-125
HRB10	100	DN40-50	DN100	DN150-200
HRB15	150	DN50-65	DN125-150	DN250-300
HRB20	200	DN65-80	DN150-200	DN300-450
HRB40	400	DN80	DN200	DN450-500
HRB60	600	DN100	DN250-300	DN500-600
HRB100	1000	DN125-150	DN300-400	DN700-900
HRB200	2000	DN150-200	DN400-500	DN900-1200

Note: The above is disposed and is only for reference, it is subject to that the valve manufacturer offers the data to be concrete

① 以上配置仅供参考, 具体以阀门生产商提供数据为准。

### Performance Parameter of HRB Series

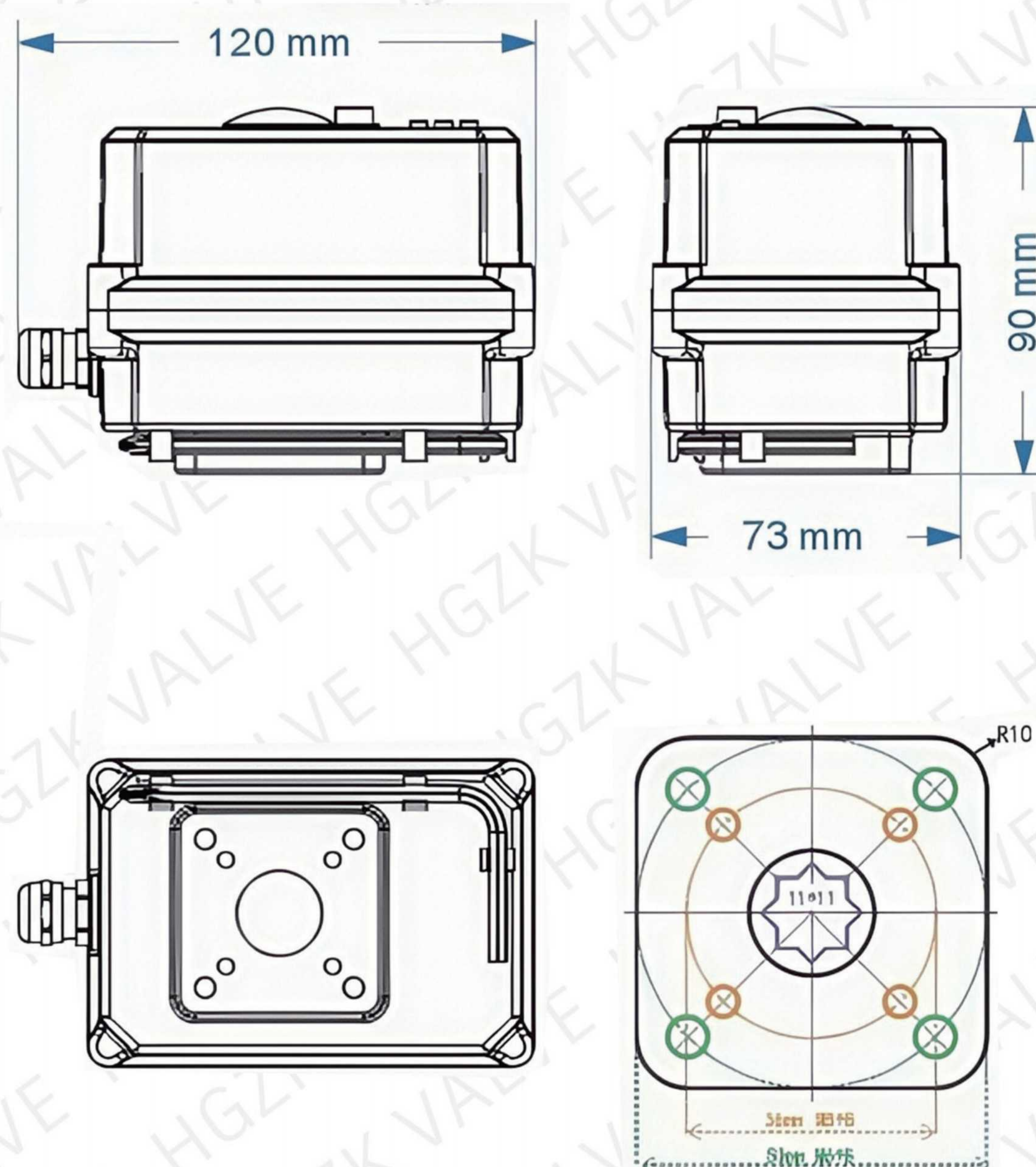
#### 性能参数 Performance Parameter

型号 Model	电机功率W Motor power					额定电流A Rated current					标准时间/力矩 Standard /Moment
	DC24V	AC24V	AC110V	AC380V	AC220V	DC24V	AC24V	AC110V	AC380V	AC220V	
HRB05	15	10	10	6	15	1.82	1.50	0.24	0.07	0.25	20s / 50Nm
HRB10/15	30	25	25	15	25	2.20	2.12	0.57	0.10	0.35	30s / 100Nm
HRB20	110	/	40	30	40	7.80	/	0.63	0.19	0.35	30s / 200Nm(DC24V:60s / 200Nm)
HRB40	110	/	90	40	90	7.80	/	1.12	0.29	0.64	30s / 400Nm
HRB60	110	/	90	40	90	8.00	/	1.18	0.29	0.67	45s / 600Nm
HRB100	180	120	120	120	120	8.50	0.90	2.20	0.48	0.90	45s / 1000Nm
HRB200	180	120	120	180	180	9.00	0.90	2.20	0.48	1.00	50s / 2000Nm

## HGV系列电动执行机构 HG Serie Electric Actuator

### 概述 | OVERVIEW

- ▶ 小尺寸：产品外形精巧，输出轴标准8角内接，通用性强；
  - ▶ 液晶显示器：方便调试与设置应用，中文与数字界面；
  - ▶ 低功耗、高可靠性：直流无刷电机，功耗低、力矩大、寿命长；
  - ▶ 简单且通用的接口：标准接线端子，选配标准定制缆线；
  - ▶ 输入/输出信号、电源三方2000V隔离；
  - ▶ 电源可选：AC24V、AC110V、AC220V；DC12V、DC24V等；
  - ▶ 信号可选：开关量、模拟量、无缘触点、总线、无线网络等；
  - ▶ 优异的EMC性能：电磁辐射、静电、防雷保护、过温保护；
  - ▶ 过载保护：完善的过载(堵转)处理、排故障程序，报警输出；
- ▶ Small size: The product has a precise and small appearance, with a standard 8-corner internal connection for the output shaft, making it highly versatile;
  - ▶ LCD display: convenient for debugging and setting up applications, with Chinese and digital interfaces;
  - ▶ Low power consumption and high reliability: DC brushless motor with low power consumption, high torque, and long lifespan;
  - ▶ Simple and universal interface: standard wiring terminals, optional standard customized cables;
  - ▶ 2000V isolation of input/output signals and power supply;
  - ▶ Power supply options: AC24V, AC110V, AC220V; DC12V, DC24V, etc;
  - ▶ Signal options: switch quantity, analog quantity, non-contact contact, bus, wireless network, etc;
  - ▶ Excellent EMC performance: electromagnetic radiation, static electricity, lightning protection, over temperature protection;
  - ▶ Overload protection: complete overload (locked rotor) handling and troubleshooting procedures, alarm output;



### Performance Parameter of HGV Series

#### 性能参数 Performance Parameter

电源电压 Voltage	DC12V/24V ; AC24V/110V/220V
待机功率 Standby power	≤5W
带载额定功率 Load rated power	≤15W(DC24V) ; ≤20W(AC220V)
堵转功率 Stalled rotor power	≤30W(DC24V) ; ≤40W(AC220V)
系统最大误差 System maximum	Error ≤ (定位精度 Positioning accuracy+0.1%+0.1%)
环境相对湿度 Ambient relative humidity	≤90%RH
抗冲击力 Impact resistance	2G
工作温度范围 Range of working temperature	25~55°C
极限耐温范围 Extreme temperature range	44~75°C

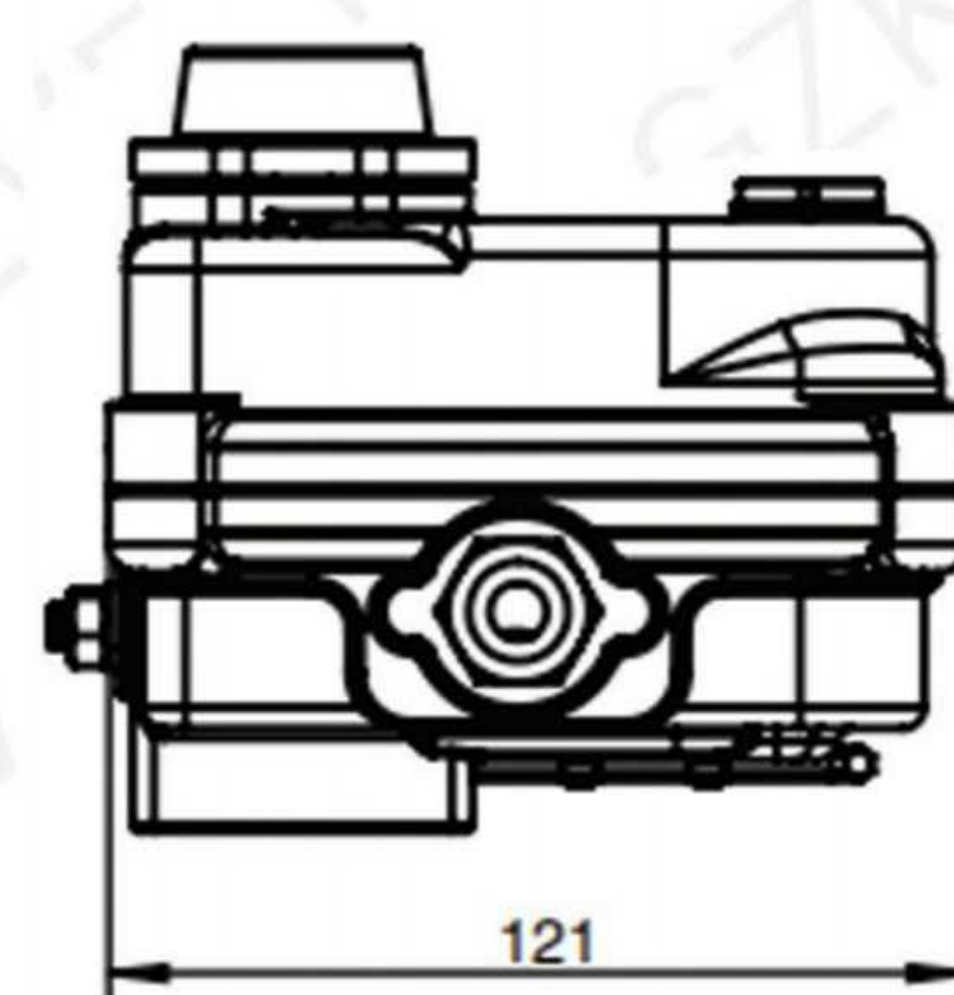
Note: If you need other parameters of electric actuators, please contact us for more information.

如需电动执行机构其他参数，可联系我们了解更多

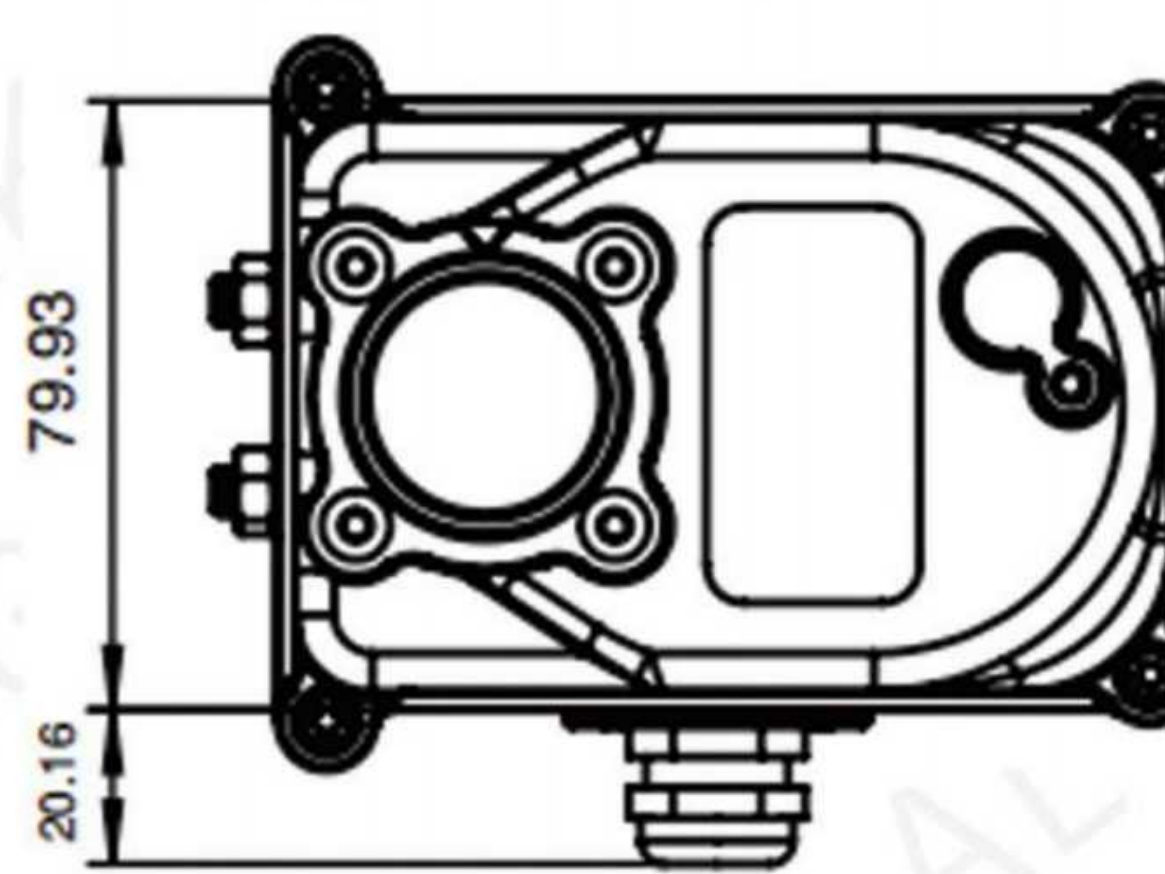
## HXV系列电动执行机构 HXV Series Electric Actuator

### 概述 | OVERVIEW

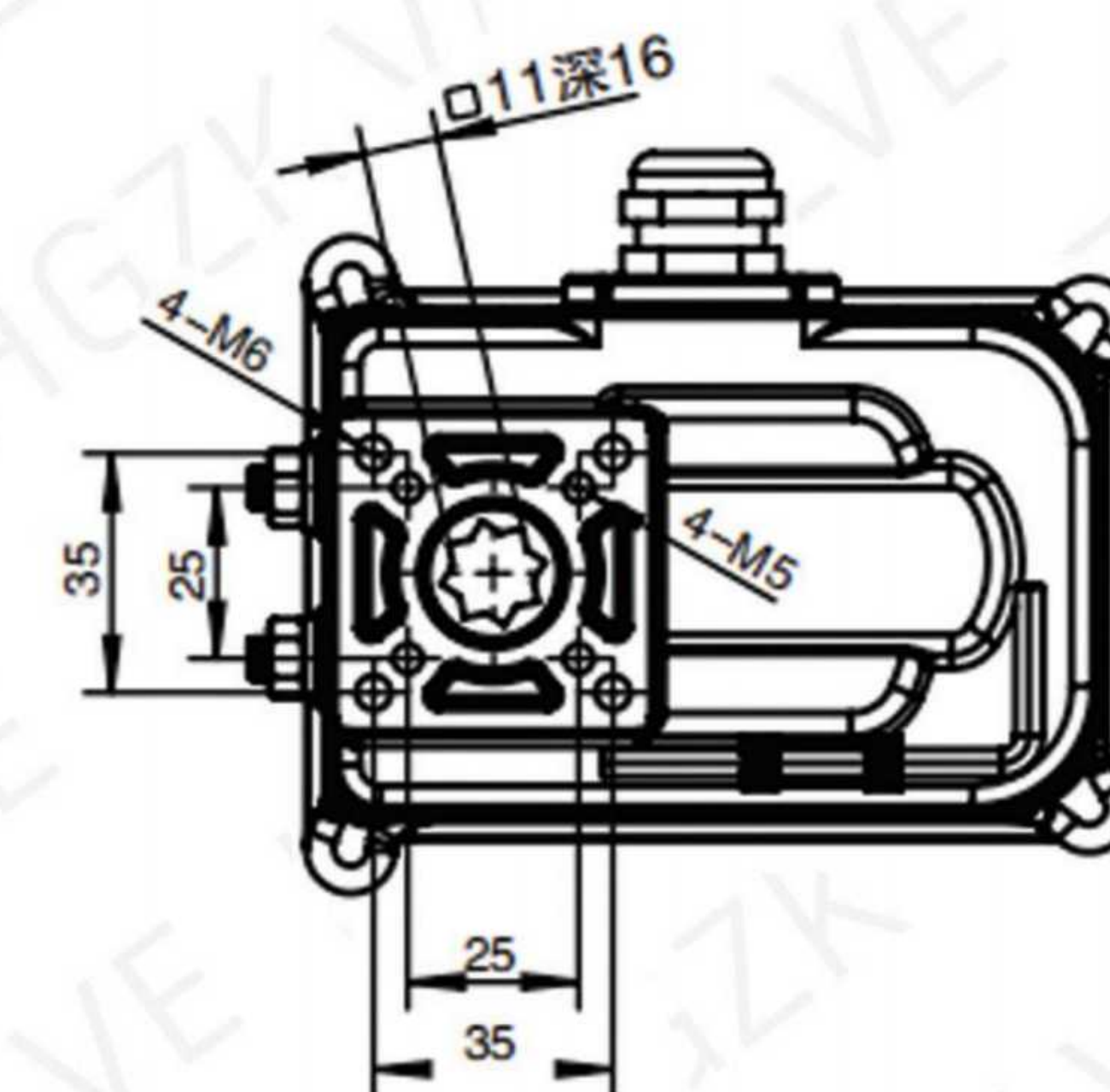
- › 耐腐蚀性强：环保铝合金外壳，阳极氧化和聚酯粉末涂层
- › 体积小：精致美观，扭矩大
- › 性能可靠：轴承、电气元件等关键部件均采用进口名牌产品
- › 美观大方：铝合金压铸外，细腻光滑，并能减少电磁干扰
- › 精密耐磨：蜗轮输出轴采用特殊合金锻造，强度高，耐磨性好
- › 安全保证：已通过ac1500v耐压试验，为F级绝缘电机，安全有保障
- › 简单匹配：单相电源，简单外部电路，直流电源
- › 保护装置：双限位，过热保护
- › 防腐和除锈：支架、联轴器和螺钉可使用不锈钢
- › 智能数控：数字设定、数字设定、高精度、自诊断一体机多功能
- › 集成：智能控制模块高度集成在电气设备主体中无需外部定位器。
- › Strong corrosion resistance: environmentally friendly aluminum alloy shell, anodized and polyester powder coating.
- › Small size: delicate and beautiful, large torque.
- › Reliable performance: key parts such as bearings and electrical components are imported famous brand products.
- › Beautiful and generous: aluminum alloy die-casting outside, fine and smooth, and can reduce electromagnetic interference.
- › Precision wear resistance: worm gear output shaft is forged with special alloy, with high strength and good wear resistance.
- › Safety guarantee: it has passed ac1500v withstand voltage test and is a class F insulated motor with guaranteed safety.
- › Simple matching: single-phase power supply, simple external circuit, DC power supply.
- › Protection device: double limit, overheating protection.
- › Anti corrosion and rust removal: stainless steel can be used for bracket, coupling and screw.
- › Intelligent CNC: digital setting, digital setting, high accuracy, self diagnosis, one machine multi-function.
- › Integration: the intelligent control module is highly integrated into the electric device body, without external positioners.



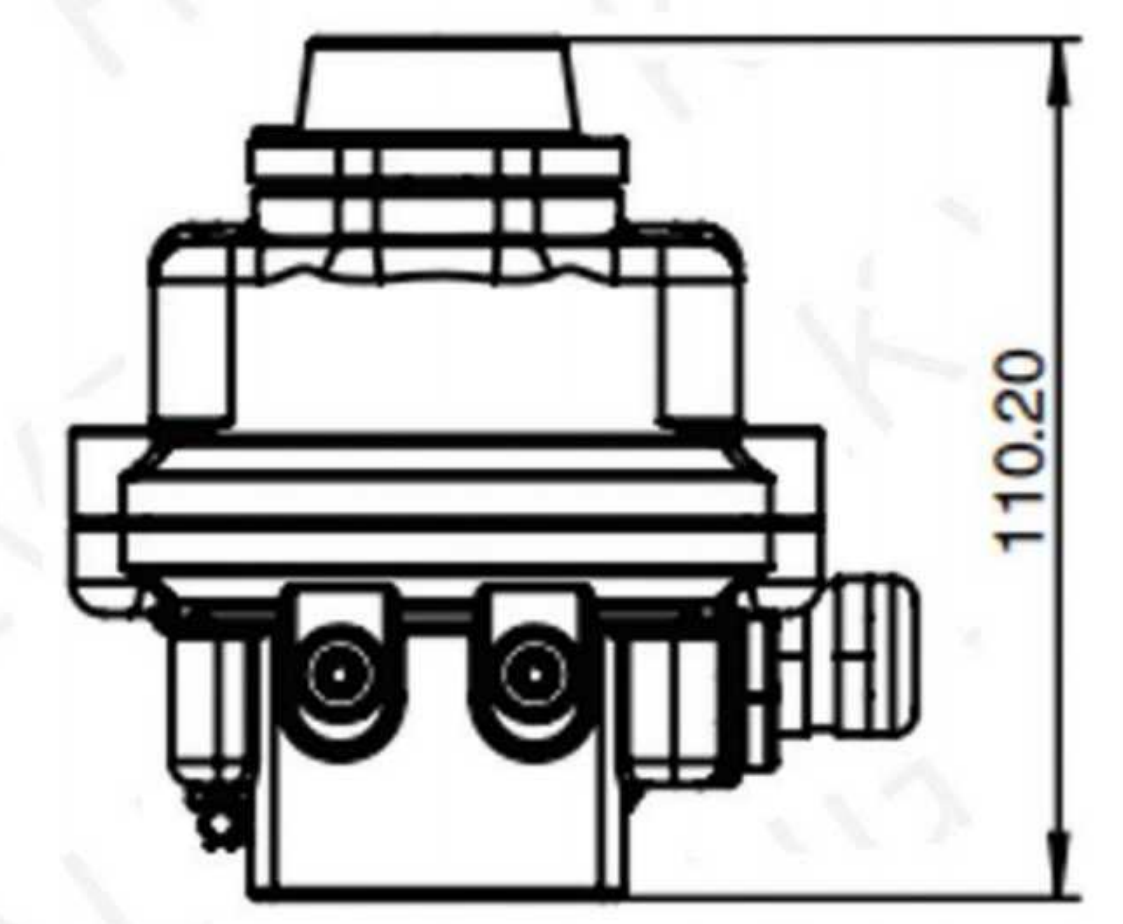
FRONT  
前部



VERTICAL 1  
顶部 1



VERTICAL 2  
顶部 2



BACK  
背部

### Performance Parameter of HXV Series

#### 性能参数 Performance Parameter

电机类型 Motor type	异步电机 Asynchronous motor
电源线长度 Power cord length	200mm
开合时间 Opening and closing time	18s
输出扭矩 Output torque	30Nm
一般压力 General pressure	PN10 ~ PN16
电机功率 Motor power	25W
电气规格 Electrical specifications	AC24V AC220V DV24V
旋转角度 Rotation angle	0-90° (±2° Adjustable)
环境温度 Ambient temperature	-30°C ~ 60°C
防护等级 Protection grade	IP65

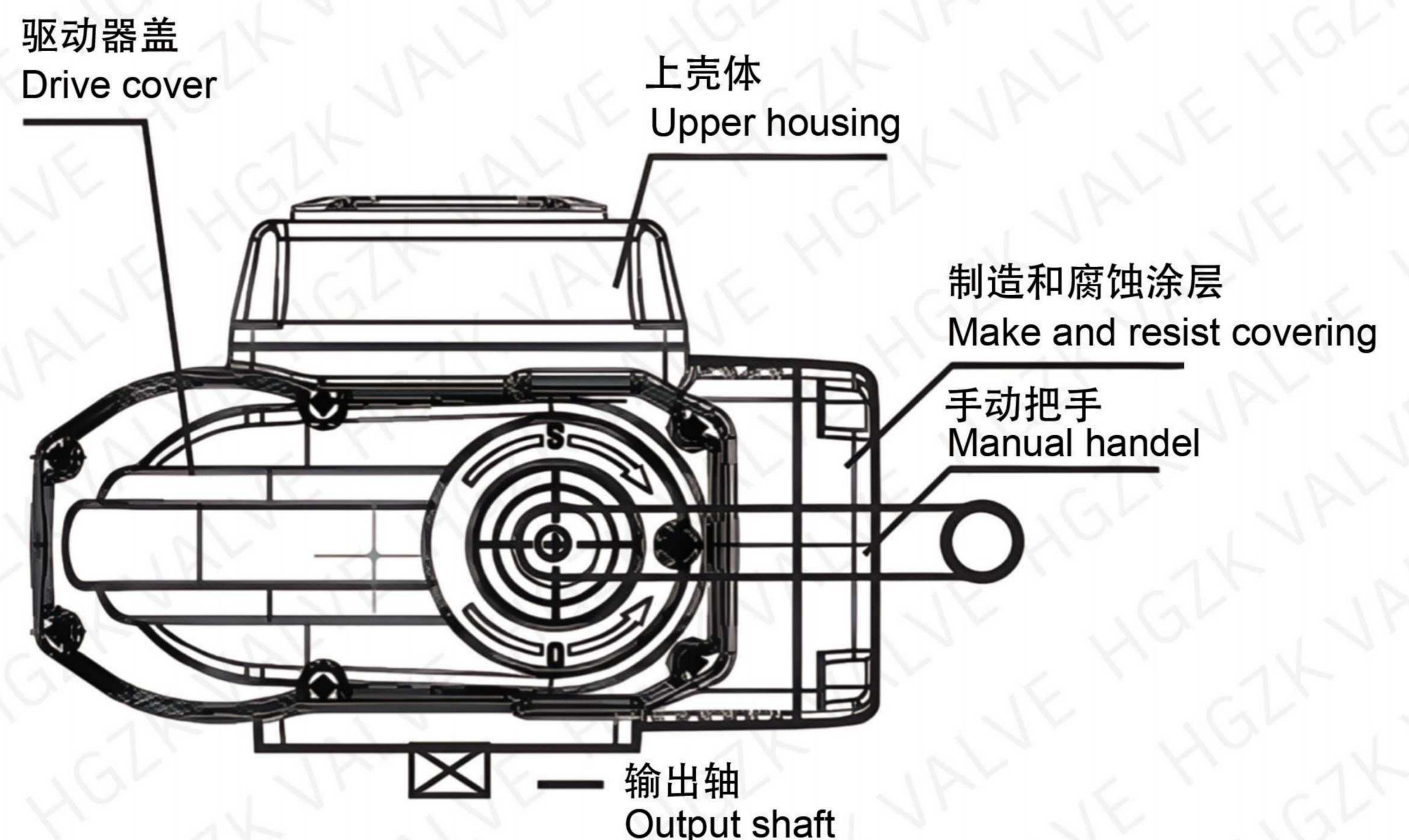
Note: If you need other parameters of electric actuators, please contact us for more information.

如需电动执行机构其他参数，可联系我们了解更多

## HGL系列电动执行机构 HGL Series Electric Actuator

### 概述 | OVERVIEW

- ▶ 精巧轻便：体积/重量仅为同类产品的35%/30%；
  - ▶ 坚固可靠：关键部件（轴承、电气）采用美国名牌；外壳铝合金压铸，防电磁干扰；
  - ▶ 安全耐用：通过AC1500V耐压测试，特种铜合金轴耐磨，不锈钢部件防锈；
  - ▶ 智能便捷：高度集成智能模块（数字设定/调谐/自诊断）无需外置定位器。支持现场/远程控制。多档行程时间可选（5秒至240秒）。
  - ▶ 简单省心：供电简单（AC/DC可选）；无需上油，防水防锈，任意角度安装；自带限位和超温保护。
- ▶ Exquisite and lightweight: only 35%/30% of the volume/weight of similar products;
  - ▶ Durable and reliable: Key components (bearings, electrical) are made of American famous brands, and the shell is made of aluminum alloy die-casting to prevent electromagnetic interference;
  - ▶ Safe and durable: Passed AC1500V withstand voltage test, special copper alloy shaft is wear-resistant, and stainless steel parts are rust proof;
  - ▶ Intelligent and convenient: highly integrated intelligent module (digital setting/tuning/self diagnosis), no need for external locator, supports on-site/remote control, multiple travel time options (5s to 240s);
  - ▶ Simple and worry free: Simple power supply (AC/DC optional), no need for oil, waterproof and rust proof, can be installed at any angle, comes with limit and over temperature protection.



### Performance Parameter of HGL Series

性能参数 Performance Parameter

	HGL05	HGL10	HGL16	HGL30	HGL60	HGL125	HGL250	HGL400
输出功率 Output torque	50Nm	100Nm	160Nm	300Nm	600Nm	1250Nm	2500Nm	4000Nm
额定行程 Rated travel time	20s/60s	15s/30s/60s			30s/60s	100s	100s	100s
旋转角度 Rotation angle	0-90°							
工作电流 Working current	0.25A	0.48A	0.68A	0.8A	1.2A	2A	2A	2.7A
启始功率 Starting power	0.25A	0.48A	0.72A	0.86A	1.38A	2.3A	2.3A	3A
电机功率 Motor power	10W/F	25W/F	30W/F	40W/F	90W/F	100W/F	120W/F	140W/F
重量 Weight	3Kg	5Kg	5.5Kg	8Kg	8.5Kg	15Kg	15.5Kg	16Kg
功率 Power	AC110V AC220V AC380V DC24V DC12V AC24V							

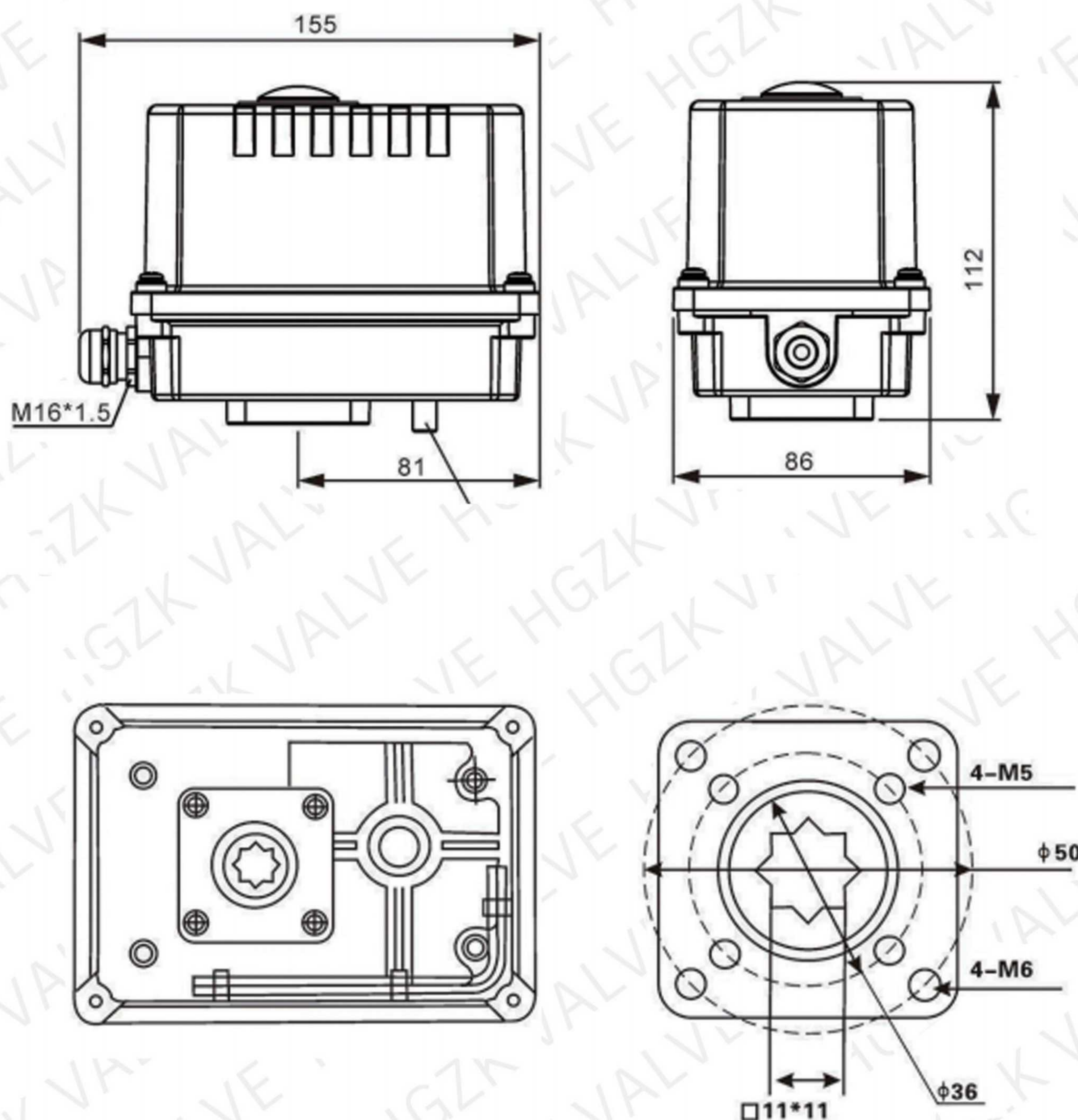
Note: If you need other parameters of electric actuators, please contact us for more information.

● 如需电动执行机构其他参数，可联系我们了解更多

## HSV系列塑料电动执行机构 HSV Series Plastic Electric Actuator

### 概述 | OVERVIEW

- 采用ABS工程塑料外壳，具有重量轻、强度高、耐老化、耐腐蚀的特点；
  - 采用机械密封结构（非化学粘接），有效防止在高温高压等严苛工况下因密封老化导致的进水问题；
  - 支持手动开关阀门功能（扳手两用型）在断电情况下也能操作；
  - 符合ISO 5211连接标准，可适配连接多种小规格球阀、蝶阀等回转型阀门；
  - 可选用AC/DC 24V、110V、220V等多种电源电压；
  - 外观精巧、重量轻盈（得益于ABS外壳），设计无须维护；
- Made of ABS engineering plastic shell, it has the characteristics of light weight, high strength, aging resistance, and corrosion resistance.
  - Adopting mechanical sealing structure (non chemical adhesive), effectively preventing water ingress caused by seal aging under harsh working conditions such as high temperature and high pressure.
  - Supports manual valve opening and closing function (wrench dual-use type), and can also be operated in case of power outage.
  - Complies with the ISO 5211 connection standard and can be adapted to connect various small-sized ball valves, butterfly valves, and other return type valves.
  - Multiple power supply voltages such as AC/DC 24V, 110V, 220V, etc. can be selected.
  - The appearance is small and lightweight (thanks to the ABS shell), and the design does not require maintenance.



### Performance Parameter of HSV Series

#### 性能参数 Performance Parameter

电源电压 Power supply voltage	AC220V DC24V DC12V 50Hz 60Hz
额定功率 Rated power	AC20W DC2W
额定电流 Rated current	AC0.2A DC0.15A
输出扭矩 Output torque	30Nm
动作时间 Action time	5~15s
旋转角度 Rotation angle	0~90°
防护等级 Protection level	IP67

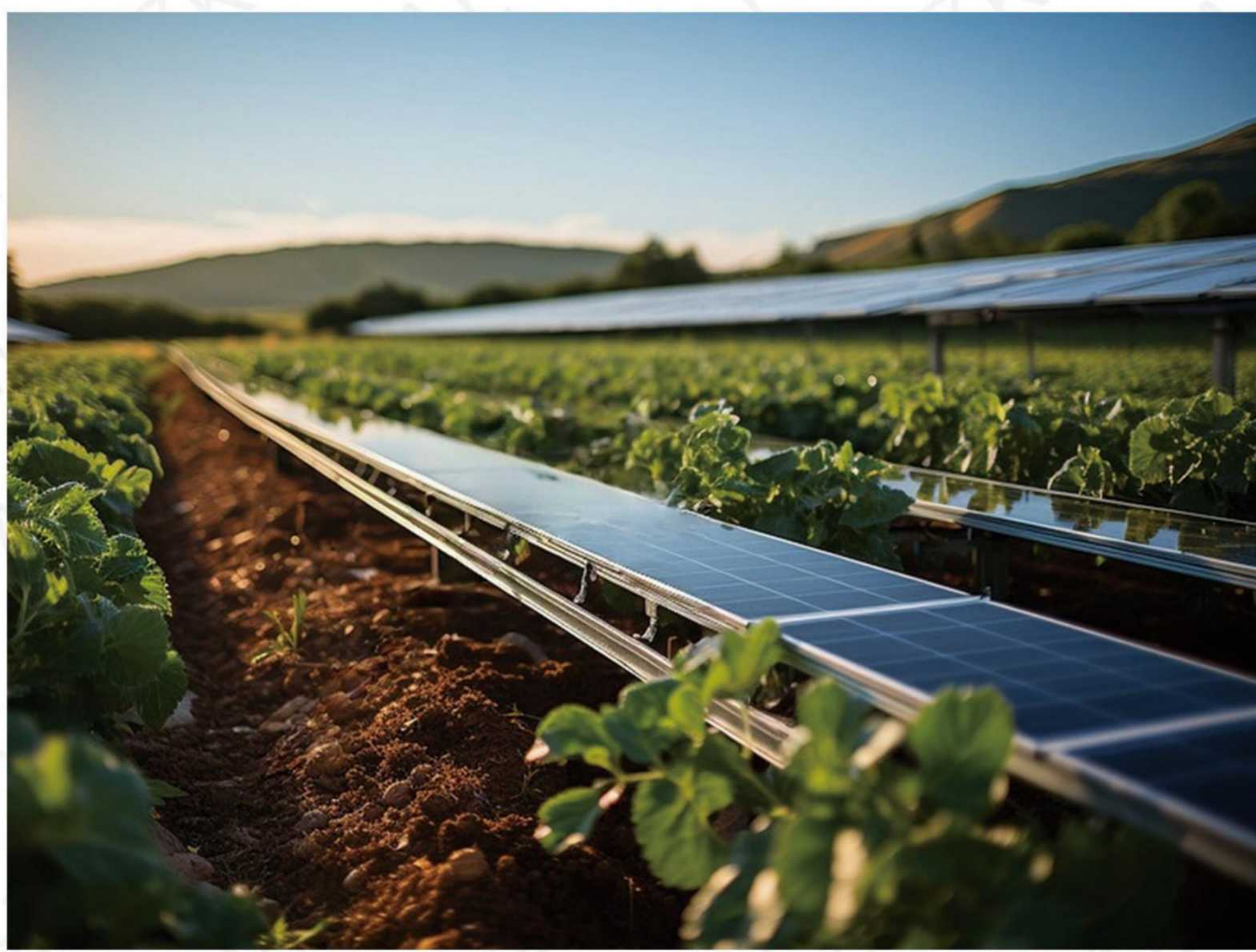
Note: If you need other parameters of electric actuators, please contact us for more information.

如需电动执行机构其他参数，可联系我们了解更多

## HTY系列太阳能电动执行机构 HTY Series Solar Electric Actuator

### 概述 | OVERVIEW

- › 操作便捷灵敏：操作简单、灵敏度高；
  - › 自动化灌溉：可实现无人管理式灌溉；
  - › 智能控制：支持定时开关阀门、精确调节、远程分区灌溉控制；
  - › 模式多样：提供多样化的灌溉模式；
  - › 安全可靠：断电自动关闭阀门；
  - › 高效节水：显著降低水资源浪费；
  - › 节省成本：极大节省人力物力投入，有效降低生产成本；
  - › 提升效率：是提升灌溉效率的“智控引擎”与“得力助手”；
- › Simple & Sensitive Operation;
  - › Automated Irrigation (Unmanned);
  - › Intelligent Control: Timed operation, precise adjustment, remote zoning;
  - › Multiple Irrigation Modes;
  - › Safe & Reliable: Auto shut-off on power loss.;
  - › Water-Saving: Reduces waste significantly; .
  - › Cost-Effective: Saves labor, materials, and costs.;
  - › Efficiency Booster: Enhances irrigation productivity;
  - › Resource Optimizer: Optimizes resource allocation.



控制方式 Control mode	远程控制平台 Remote control platform	手机APP 电脑端平台 微信小程序 Mobile APP Desktop Platform WeChat Mini Program
通讯方式 Communication method	无线通讯 Wireless Communications	支持4G或LoRa等 Support 4G or LoRa, etc.
防护等级 Protection grade	防护能力 Protection	IP68(完全防尘, 可长时间浸水) IP68 (completely dustproof and can be immersed in water for a long time)
材质与寿命 Material and lifespan	阀体材质 Valve body material	PP增强工程塑料 PP reinforced engineering plastics
	使用寿命 Service life	>5年 >5Years
灌溉模式 Irrigation mode	控制模式 Control Mode	单控 定时 定量 分组 轮灌 Single control, timing, quantitative, grouping, rotation irrigation
流量管理 Traffic Management	流量平衡功能 Flow balancing function	支持 support
管径适配 Pipe diameter adaptation	适用管径范围 Applicable pipe diameter range	DN32-DN110
供电与保护 Power supply and protection	供电方式 Power supply mode	支持太阳能供电 Support solar power supply
	低电保护 Low power protection	低电自动关阀保护 Low power automatic valve closing protection
操作功能 Operation function	一键寻阀 One-click valve search	支持 support
	手动开关阀 Manual switch valve	支持 support
	开度控制 Opening control	可精准控制开度 (0~100°) The opening can be precisely controlled (0~100°)
状态监控 Condition Monitoring	告警功能 Alarm function	具有各类状态告警功能 With various status alarm functions

Note: If you need other parameters of electric actuators, please contact us for more information.

如需电动执行机构其他参数，可联系我们了解更多

---

**Pneumatic/electric actuator experts empower industrial automation with precise driving and reliable power, making them your trusted choice for efficient processes and controlling the future.**

HGZK 您值得信赖的自动化执行伙伴，助力工业智能化升级！



镇江市京口区丁卯街道南纬四路36号  
NO.1 Dingmao National Science and  
Technology Incubator, New District,Zhenjiang,China

WEB: [www.hgzk-valve.com](http://www.hgzk-valve.com)  
TEL : 0511-88800505  
E-MAIL: [sale@hgzkvalve.com](mailto:sale@hgzkvalve.com)

本系列产品广泛应用于给排水、消防、高层建筑、暖通、电力、蚀化、化工、冶金等行业

Professional spirit,innovative ideas,pragmatic style,scientific research strength,  
sophisticated equipment,created a new image of **HGZK VALVE**.

This series of products are widely used in water supplyand drainage ,  
fire control,high-rise building,HVAC,power, petrochemical,chemical,metallurgical and other industries.



**江苏华工自控阀门有限公司**

**Jiangsu Huagong Automatic Control Valve CO.LTD**

**Precision Driven, Future Commanded.**

