

990 Vibration Transmitter

Datasheet

Cordant™

141612 Rev. W

Description

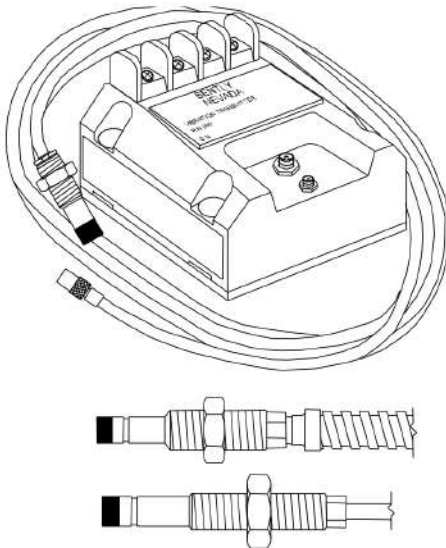
The 990 Vibration Transmitter is intended primarily for the original equipment manufacturers (OEMs) of centrifugal air compressors or small pumps, motors, or fans who prefer to provide a simple 4 to 20 mA proportional vibration signal as the input to their machinery control system.

The transmitter is a two-wire, loop-powered device that accepts input from our 3300 NSv proximity probe and its matching extension cable (available in 5 m and 7 m system length options).

The transmitter conditions the signal into appropriate peak-to-peak vibration amplitude engineering units, and provides this value as a proportional 4 to 20 mA industry-standard signal as the input to the control system where machinery protection alarming and logic occurs.¹

The 990 transmitter provides the following notable features:

- Integrated Proximito Sensor requires no external unit
- Non-isolated PROX OUT and COM terminals plus a coaxial connector to provide a dynamic vibration and gap voltage signal output for diagnostics.²
- Non-interacting zero and span potentiometers under the Transmitter label supports loop adjustment.
- Test Input pin for quick verification of loop signal output, using a function generator as the input.
- A Not OK/Signal Defeat circuit prevents high outputs or false alarms due to a faulty proximity probe or loose connection.
- Choice of DIN-rail clips or bulkhead mounting screws as standard options simplifies mounting.



Baker Hughes 

Specifications

Unless otherwise noted, the following specifications apply at +22°C (+72°F) using a 3300 NSv Probe and Extension Cable, and an AISI 4140 steel target.



These specifications also apply to 990 with modifications 147202-01 (RMOD 4140 3300XL 8MM 5M) and 165335-01 (MOD 4140 3300 XL 8MM 9M).

Electrical

Input	Accepts 1 non-contacting 3300 NSv Proximity Probe and extension cable.
Power	Requires +12 to +35 Vdc input at the transmitter terminal.
4 to 20 mA signal output	4 to 20 mA _{dc} over specified full-scale range in 2-wire configuration.
4 to 20 mA loop accuracy	Within ±1.5% over specified full-scale range. Accuracy is rated from the TEST signal input to the voltage measured across a 250 Ω loop resistance. The ±1.5% error is in addition to the Prox Out Incremental Scale Factor.
Probe gap	Probe must be gapped between 0.5 and 1.75 mm (20 and 55 mils) from target to ensure full scale range.
Maximum loop resistance	1,000 Ω including cable at 35 Vdc.
Current limiting	23 mA typical.
Zero and span	Non-interacting external adjustments.
NOT OK/signal defeat	Signal output will go to less than 3.6 mA within 100 μs after a Not OK condition occurs. Signal output is restored within 2-3 seconds after the Not OK condition is removed.

Power-up inhibit	Signal output stays at less than 3.6 mA (NOT OK) for 2 to 3 seconds after power is applied. The purpose is to signal that the device is not yet ready. Transients may be observed when device goes O.K.
Proximitior sensor output	Compatible with ungrounded, portable test equipment. When using grounded, ac-powered test equipment, use the 122115-01 Test Adapter for signal isolation.
Output impedance	Prox Out has a 10 kΩ output impedance calibrated for a 10 MΩ load.
Prox out linear range	1.4 mm (55 mils). Begins at approximately 0.25 mm (10 mils) from target surface.
Prox Out incremental scale factor	7.87 mV/μm (200 mV/mil) ±6.5% typical including interchangeability errors when measured in increments of 0.25 mm (10 mils) over the linear range using a flat 30 mm (1.2 inch) target. Worst case 7.87 mV/μm ±10%. Typical Noise Level: 50 mV/pp.
Temperature stability	Incremental scale factor remains within ±10% of 7.87 mV/μm (200 mV/mil) from 0°C to +70°C (+32°F to +158°F).
Frequency response	5 Hz to 6,000 Hz +0, 3 dB.
Minimum target size	9.5 mm (0.375 in) diameter.
Leadwire length	Maximum for Proximitior Sensor Output (BNC connector), maximum cable distance is 3 meters (10 feet).
Non-Hazardous, Zone 2 or Div 2 Hazardous area locations	Power Supply: 28 V

Environmental Limits

Transmitter Temperature

Operating temperature	-35°C to +85°C (-31°F to +185°F)
Storage temperature	-52°C to +100°C (-62°F to +212°F).

Probe Temperature

Operating temperature	-52°C to +177°C (-62°F to +351°F)
Storage temperature	-52°C to +177°C (-62°F to +351°F)
Relative humidity	100% condensing, non-submerged, with protection of coaxial connectors.


Mechanical


Transducer tip material	Polyphenylene sulfide (PPS).
Transducer case material	AISI 303 or 304 Stainless Steel (SST).
Probe Cable	75Ω coaxial, fluoroethylene propylene (FEP) insulated.
Cable armor (optional)	Flexible AISI 302 SST with optional FEP outer jacket.
Tensile strength	222 N (50 lbf) probe case to probe lead, maximum.
Transmitter weight	0.43 kg (0.9 lbf).
Total system weight	0.82 kg (1.8 lbf) typical.

Thread Engagement Limits

Probe Case Thread	Maximum Length of Thread Engagement
1/4-28	0.375 in
3/8-24	0.563 in

Probe Case Thread	Maximum Length of Thread Engagement
M8x1	12 mm
M10x1	15 mm

 Maximum thread engagement lengths are per the industry standard of 1.5 times the nominal thread diameter. A fit class matching that of the external probe thread is assumed for all internal threads. Applications with thread engagement lengths exceeding the values in the table above may exhibit binding during installation. Contact your Bently Nevada representative if you require probe thread engagement lengths exceeding the values above. Bently Nevada does not replace proximity probes under warranty due to excessive thread engagement lengths.

 When drilling and tapping a mounting hole **for a 1/4-28 probe**, a **#3 or larger tap drill** is recommended.

Ordering Information



For the detailed listing of country and product-specific approvals, refer to the [Approvals Quick Reference Guide \(108M1756\)](#).

For additional technical documentation, please log in to bntechsupport.com and access the Bently Nevada Media Library.

990-AA-BB-CC-DD

A: Full-scale Option

04	0-4 mils pp (0-100 μm pp)
05	0-5 mils pp (0-125 μm pp)
08	0-8 mils pp (0-200 μm pp)
10	0-10 mils pp (0-250 μm pp)

B: System Length Option

50	5.0 meters (16.4 feet)
70	7.0 meters (23.0 feet)

C: Mounting Option

01	35 mm DIN rail clips
02	Bulkhead screws
03	DIN clips and screws

D: Agency Approval Option

00	Not required
01	CSA Division 2
05	CSA Division 2, ATEX Zone 0, ATEX Zone 2 and includes ABS maritime approval

3300 NSv Proximity Probes, Standard

Part Number-AA-BB-CC-DD-EE

330901	3300 NSv Probe, 1/4-28 UNF thread, without armor.
330902	3300 NSv Probe, 1/4-28 UNF thread, with armor.
330908	3300 NSv Probe, 3/8-24 UNF thread, without armor.
330909	3300 NSv Probe, 3/8-24 UNF thread, with armor.

A: Unthreaded Length Option



Unthreaded length must be at least 0.7 inches less than the case length.

Order in increments of 0.1 in

Length configurations

Minimum length: 0 in

Maximum length: 9.2 in

Example: **04** = 0.4 in

B: Case Length Option

Order in increments of 0.1 in

Minimum length: 0.8 in

Maximum length: 9.9 in

Example: **35** = 3.5 in

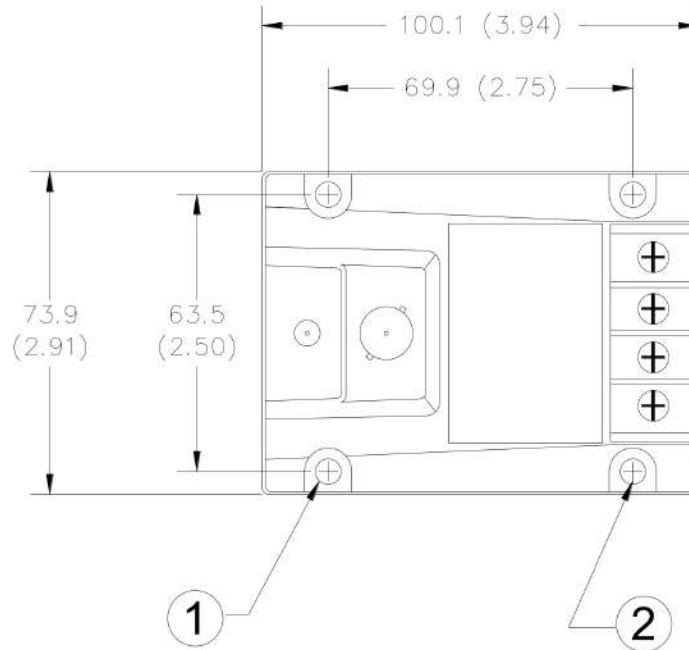
C: Total Length Option

05	0.5 meter (1.67 feet)
10	1.0 meter (3.25 feet)
50	5.0 meters (16.4 feet)
70	7.0 meters (23 feet)

D: Connector Option

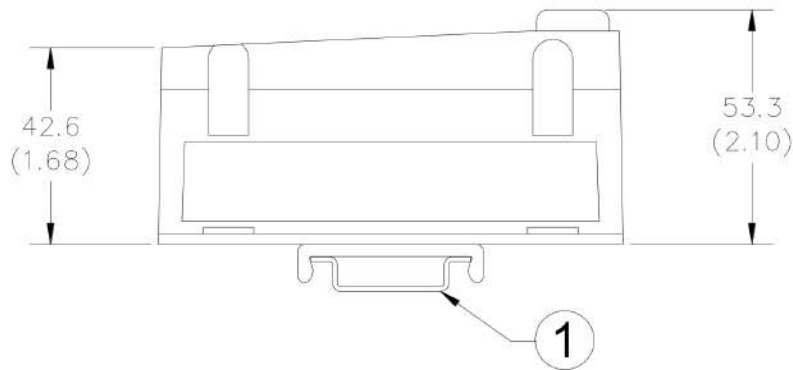
Graphs and Figures

All dimensions shown in millimeters (inches) unless noted otherwise



1. Mounting holes, 5.8 mm (0.23 in) diameter, 4 places
2. Bulkhead mount holes, 4 each. 6-32 x 1.326 screws provided when mounting option specified

Figure 1: 990 Vibration Transmitter Dimensions (top view)



1. 35mm DIN rail DIN mount clips (when DIN rail mounting is specified)

Figure 2: 990 Vibration Transmitter Dimensions (side view)