

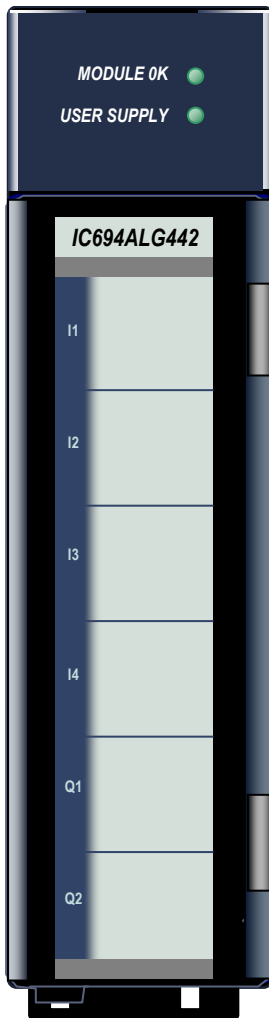
PACSystems* RX3i and Series 90*-30

IC694ALG442 and IC693ALG442

Analog Module, 4 Inputs/2 Outputs, Current/Voltage

GFK-2687A

May 2012



Analog Current/Voltage Input/Output module, ALG442, provides four differential input channels and two single-ended output channels. Each channel can be configured with the Machine Edition software for one of the following ranges:

- 0 to +10 volts (unipolar), default.
- -10 to +10 volts (bipolar)
- 0 to 20 mA
- 4 to 20 mA

Input channels can also be configured for 4 - 20 mA Enhanced mode.

This module may be installed in any I/O slot that has a serial connector in an RX3i or Series 90-30 system.

Module Features

Outputs can be configured to either Hold Last State or to reset to the low end of their range if system power is interrupted. Outputs can also be configured to operate in ramp mode on command from the application program. In ramp mode, the output channel transitions to a new value over a period of time, rather than taking the new value immediately.

High and low alarm limits can be set for all input channels and an open-wire fault (current output modes) can be reported to the CPU for each output channel.

ALG442 modules in RX3i racks support firmware upgrades in the field.

Isolated +24 VDC Power

This module requires 150 mA plus loop current(s) from a user-supplied +24 VDC supply.

LEDs

The **MODULE OK** LED provides module status information as follows:

ON: status is OK, module configured;

OFF: no backplane power or software not running (watchdog timer timed out);

Continuous rapid blinking: configuration data not received from CPU;

Slow blinking, then OFF: failed power-up diagnostics or encountered code execution error.

The **USER SUPPLY** LED indicates that the external 24 VDC supply is within specifications.

GFK-2687A

Specifications: ALG442

Power Requirements	
External Supply Voltage Range	20 to 30 VDC (24 VDC typical)
Power Supply Rejection Ratio	Current: 5 μ A/V (typical), 10 μ A/V (maximum) Voltage: 25 mV/V (typical), 50 mV/V (maximum) (Measured by varying V_{USER} from 24 VDC to 30 VDC)
Voltage Ripple	10%
Power Consumption	
	95 mA from internal +5 VDC Supply, 150 mA from external +24 VDC supply
Update Rate	
	Update Rate: 3 ms
Isolation, Field to Backplane (optical) and to Frame Ground	
	250 VAC continuous; 1500 VAC for 1 minute
Analog Outputs	
Two, Single-Ended	
<i>Analog Current Output</i>	
Output Ranges	0 to 20 mA, 4 to 20 mA
Resolution	0 to 20 mA: 0.6 μ A (1 LSB = 0.6 μ A) 4 to 20 mA: 0.5 μ A (1 LSB = 0.5 μ A)
Absolute Accuracy ^{1,5}	\pm 0.1% of full scale @ 25°C (77°F), typical \pm 0.25% of full scale @ 25°C (77°F), maximum \pm 0.5% of full scale over operating temperature range (maximum)
Maximum Compliance Voltage	$V_{USER} - 3$ V (minimum) to V_{USER} (maximum)
User Load	0 to 850 Ω (minimum at $V_{USER} = 20$ V, maximum 1350 Ω at $V_{USER} = 30$ V)
Output Load Capacitance	2000 pF (maximum)
Output Load Inductance	1 H (maximum)
<i>Analog Voltage Output</i>	
Output Ranges	-10 to +10 V (bipolar), 0 to +10 V (unipolar)
Resolution	-10 V to +10 V: 0.3125 mV (1 LSB = 0.3125 mV) 0 to +10 V: 0.3125 mV (1 LSB = 0.3125 mV)
Absolute Accuracy ^{2,5}	\pm 0.25% of full scale @ 25°C (77°F), typical \pm 0.5% of full scale @ 25°C (77°F), maximum \pm 1.0% of full scale over operating temperature range (maximum)
Output Loading	5 mA (2 K Ohms minimum resistance)
Output Load Capacitance	1 μ F (maximum capacitance)
Analog Inputs	
Four, differential	
<i>Analog Current Input</i>	
Input Ranges	0 to 20 mA, 4 to 20 mA, 4 to 20 mA Enhanced
Resolution	5 μ A (1 LSB = 5 μ A)
Absolute Accuracy ³	\pm 0.25% of full scale @ 25°C (77°F) \pm 0.5% of full scale over specified operating temperature range
Linearity	<1 LSB
Common Mode Voltage	200 VDC (maximum)
Common Mode Rejection	>70 dB at DC; >70 dB at 60 Hz
Cross Channel Rejection	>70 dB from DC to 1 kHz
Input Impedance	250 Ω
Input Filter Response	38 Hz

1 Analog Current output: In the presence of severe Radiated RF interference (IEC 61000-4-3, 10V/m), accuracy may be degraded to \pm 1% of full scale.

2 Analog Voltage output: In the presence of severe Radiated RF interference (IEC 61000-4-3, 10V/m), accuracy may be degraded to \pm 4% of full scale.

Specifications, continued

<i>Analog Voltage Input</i>	
Input Ranges	0 to +10 V (unipolar), -10 to +10 V (bipolar)
Resolution	0 to +10 V: 2.5 mV (1 LSB = 2.5 mV) -10 to +10 V: 5 mV (1 LSB = 5 mV)
Absolute Accuracy ^{4,5}	±0.25% of full scale @25°C (77°F); ±0.5% of full scale over specified operating temperature range
Linearity	<1 LSB
Common Mode Voltage	200 VDC (maximum)
Common Mode Rejection	>70 dB at DC; >70 dB at 60 Hz
Cross Channel Rejection	>70 dB from DC to 1 kHz
Input Impedance	800 K Ohms typical)
Input Filter Response	38 Hz

- 3 Analog Current Input: In the presence of severe Radiated RF interference (IEC 61000-4-3, 10V/m), accuracy may be degraded to ±2% of full scale.
- 4 Analog Voltage Input: In the presence of severe Radiated RF interference (IEC 61000-4-3, 10V/m), accuracy may be degraded to ±1% of full scale.
- 5 Applicable for all outputs and inputs: In the presence of severe Conducted RF interference (IEC 61000-4-6, 10Vrms), accuracy may be degraded to ±2% of full scale.

Refer to the applicable Installation or System manual for product standards, general operating specifications, and installation requirements:

Series 90-30 Installation Manual, GFK-0356

Series 90-30 systems: Installation Requirements for Conformance to Standards, GFK-1179

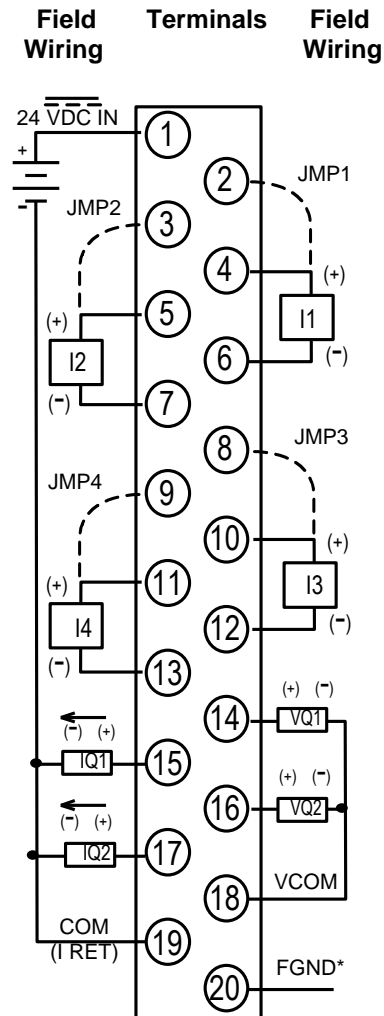
PACSystems RX3i System Manual, GFK-2314

GFK-2687A

Field Wiring: ALG442

The diagram below shows voltage and current connections for the module. Each channel can be configured independently as a voltage or a current channel, not both simultaneously.

Terminal	Signal	Definition
1	24VIN	User Supplied +24 VDC Input
2	JMP1	Jumper terminal for connecting 250Ω sense resistor for CH1 current mode
3	JMP2	Jumper terminal for connecting 250Ω sense resistor for CH2 current mode
4	+CH1	Positive connection for differential analog input channel 1
5	+CH2	Positive connection for differential analog input channel 2
6	-CH1	Negative connection for differential analog input channel 1
7	-CH2	Negative connection for differential analog input channel 2
8	JMP3	Jumper terminal for connecting 250Ω sense resistor for CH3 current mode
9	JMP4	Jumper terminal for connecting 250Ω sense resistor for CH4 current mode
10	+CH3	Positive connection for differential analog input channel 3
11	+CH4	Positive connection for differential analog input channel 4
12	-CH3	Negative connection for differential analog input channel 3
13	-CH4	Negative connection for differential analog input channel 4
14	V _{out} CH1	Voltage output for channel 1
15	I _{out} CH1	Current output for channel 1
16	V _{out} CH2	Voltage output for channel 2
17	I _{out} CH2	Current output for channel 2
18	V COM	Common return for voltage outputs
19	I RET	Common return for User supplied +24 V and current outputs
20	GND	Frame ground connections for cable shields



* Optional Shield Connection

Configuration: ALG442

The following module parameters can be configured using the Machine Edition software.

Module Settings

Parameter	Choices	Description
Stop Mode	Hold (default) or DeFlow	Output state when module goes from Run to Stop mode. If the configured Stop Mode is <i>Hold</i> , the module holds outputs at the last state received from the CPU. If the Stop Mode is <i>Default Low</i> , the outputs will go to their low values as follows: Current mode (4-20 mA): outputs go to 4 mA Current mode (0-20 mA): outputs go to 0 mA Voltage mode (unipolar (0 to +10V) and bipolar (+10V to -10V): outputs go to 0V
Input Channel Value Reference Address	Valid memory type: %AI	Starting %AI address for the module's analog input data
Input Channel Value Reference Length	Read-only	Each input channel provides 16 bits (1 word) of analog input data to the Controller CPU.
Output Channel Value Reference Address	Valid memory type: %AQ	Starting %AQ address for the module's analog output data
Output Channel Value Reference Length	Read-only	Each input channel receives 16 bits (1 word) of analog input data to the Controller CPU.
Module Status Reference Address	Valid memory type: %I	Starting %I address for the module's status data
Module Status Reference Length	0 (Module status reporting Disabled) 8 (module and power status only) 16 (above plus input status) 24 (all above plus output status)	Number of status bits (0 to 24) that will be used for module and channel status data. When set to 0, status reporting is disabled. To enable status reporting, set this parameter to a value other than 0. For data format, see page 8.
I/O Scan Set	1 through 32	Assigns the module to an I/O Scan Set defined for the CPU.

Output Channel Data

Parameter	Choices	Description
Output Range	0 to +10 V, -10 to +10 V, 4 to 20 mA, 0 to 20 mA	Type of output range.

Input Channel Data

Parameter	Choices	Description
Input Range	0 to +10 V, -10 to +10 V, 4 to 20 mA, 0 to 20 mA, 4 to 20 mA Enhanced	Type of input range
Alarm Low Limit	-32768 to 32759	Low limit alarm value for each input. Must be less than the same channel's high alarm.
Alarm High Limit	-32768 to 32760	High limit alarm value for each input. The Alarm Low and Alarm High parameters can be used to set up limits that cause alarms to be passed to the Controller for each channel. Values entered without a sign are assumed to be positive. These configured alarm limits are stored until changed by a new configuration. The configured high and low alarm limits can be changed temporarily by a COMM_REQ command.