

Bently Nevada 170180-02-05
FieldMonitor External Transducer I/O Module



Limited Availability
Used and in Excellent Condition

Open Web Page

<https://www.artisantg.com/58586-4>

All trademarks, brandnames, and brands appearing herein are the property of their respective owners.

- Critical and expedited services
 - In stock / Ready-to-ship
 - We buy your excess, underutilized, and idle equipment
 - Full-service, independent repair center
- Artisan Scientific Corporation dba Artisan Technology Group is not an affiliate, representative, or authorized distributor for any manufacturer listed herein.



Your **definitive** source
for quality pre-owned
equipment.

Artisan Technology Group
(217) 352-9330 | sales@artisantg.com | artisantg.com

170180 FieldMonitor™ External Transducer I/O Module

Bently Nevada™ Asset Condition Monitoring

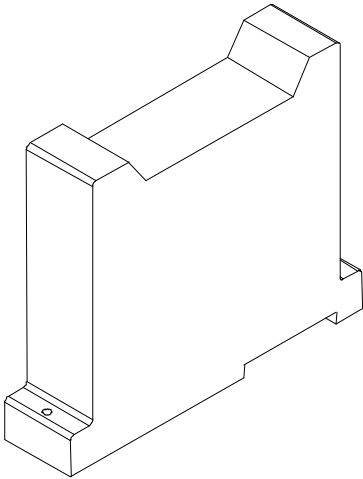
Description

An external transducer I/O module is used to connect the following transducer types to their respective 2-channel monitoring module:

- Proximity probes using external Proximitor® sensors (see note)
- All supported acceleration and velocity transducers

Each external transducer I/O module occupies one slot in a FieldMonitor terminal base, and can accommodate up to two transducer inputs.

Note: For proximity probes without external Proximitor sensors, refer to specification and ordering information sheets 141481-01 and 141482-01.



imagination at work

Specifications and Ordering Information
Part Number 141480-01
Rev. E (11/08)

Page 1 of 5

Specifications

Signal Inputs

170180-01-XX:

Channel A

One Proximitor

or

Accelerometer with -24 Vdc
Supply

Channel B

One Proximitor

or

Accelerometer with -24 Vdc
Supply

170180-02-XX:

Channel A

One 2-wire Velocity Transducer

Channel B

One 2-wire Velocity Transducer

170180-03-XX:

Channel A

One Velomitor® Velocity
Transducer

Channel B

One Velomitor Velocity
Transducer

170180-04-XX:

Channel A

One Velomitor Velocity
Transducer

Channel B

One 2-wire Velocity Transducer

170180-05-XX:

Channel A

One Proximitor sensor with -18
Vdc supply

Channel B

One Proximitor sensor with -18
Vdc supply

Physical

Operating

Temperature:

-34°C to +85°C (-30°F to +185°F)

Storage

Temperature:

-40°C to +85°C (-40°F to +185°F)

Relative

Humidity:

100% condensing nonsubmerged
from +7°C to +85°C (+45°F to
+185°F) when the connector is
protected.

Weight :

277g (0.61 lb) typical

Proximitor Sensor/ Accelerometer Interface Module

Input Signal

Voltage Range:

0 to -Vt

Output Voltage

Range:

0 to -Vt

Frequency

Response:

-5% at >25 kHz

Current draw

(without

transducer):

2.0 mA maximum

Current Limit

Setpoint:

33.6 mA min, 37.6 mA max at
25°C (77°F)

Specifications and Ordering Information
Part Number 141480-01
Rev. E (11/08)

2-Wire Velocity Transducer Interface Module**Input Signal****Voltage Range:**

0 to -Vt

Output Voltage Range:

0 to -Vt

Frequency Response:

-5% at >25 K Hz

Input Impedance:

9.98 ± 0.02 KΩ

Current draw (without transducer):

2.0 mA maximum

Velomitor Piezo-Velocity Transducer**Input Signal****Voltage Range:**

0 to -Vt

Output Voltage Range:

0 to -Vt

Transducer Nominal Bias Voltage:

-12 Vdc

Transducer Regulated Current:

3.00 to 4.10 mA

Frequency Response:

-5% at >25 K Hz

Current draw (without transducer):

1.5 mA maximum

-18 V Proximitor Interface Module**Input Signal****Voltage Range:**

0 to -Vt

Output Voltage Range:

0 to -Vt

Transducer Supply Voltage:

-17.75 to -18.24 Vdc

Frequency Response:

-5% at >25 kHz

Current draw (without transducer):

2.0 mA maximum

Hazardous Area Approvals

-00 Approvals Ordering Option

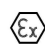
North America

Ex nA IIC T4
Class I, Zone 2
Class I, Div 2
Groups A, B, C, D
T4 @ -30°C = Ta = +70°C
per dwg 139255

*Certification
Number*

CSA 1166985

European/ATEX

 II 3G EEx nA [L] IIC T4
LCIE 00ATEX6016X
T4 @ -30°C = Ta = +70°C

Brazil

Br-Ex nA [nL] IIC T4
MC, AEX-8304-X
T4 @ -30°C = Ta = +70°C

-05 Approvals Ordering Option


North America

Ex nA [ia] IIC T4
Class I, Zone 2(0)
Class I, Div 2
Groups A, B, C, D
T4 @ -30°C = Ta = +70°C
per dwg 141265

*Certification
Number*

CSA 1166985

European/ATEX

 II 1/3 G EEx nA[ia] ia IIC T4
LCIE 00ATEX6017X
T4 @ -30°C = Ta = +70°C

Ordering Information

Transducer I/O Module 170180-XX-XX

A: I/O Module Type

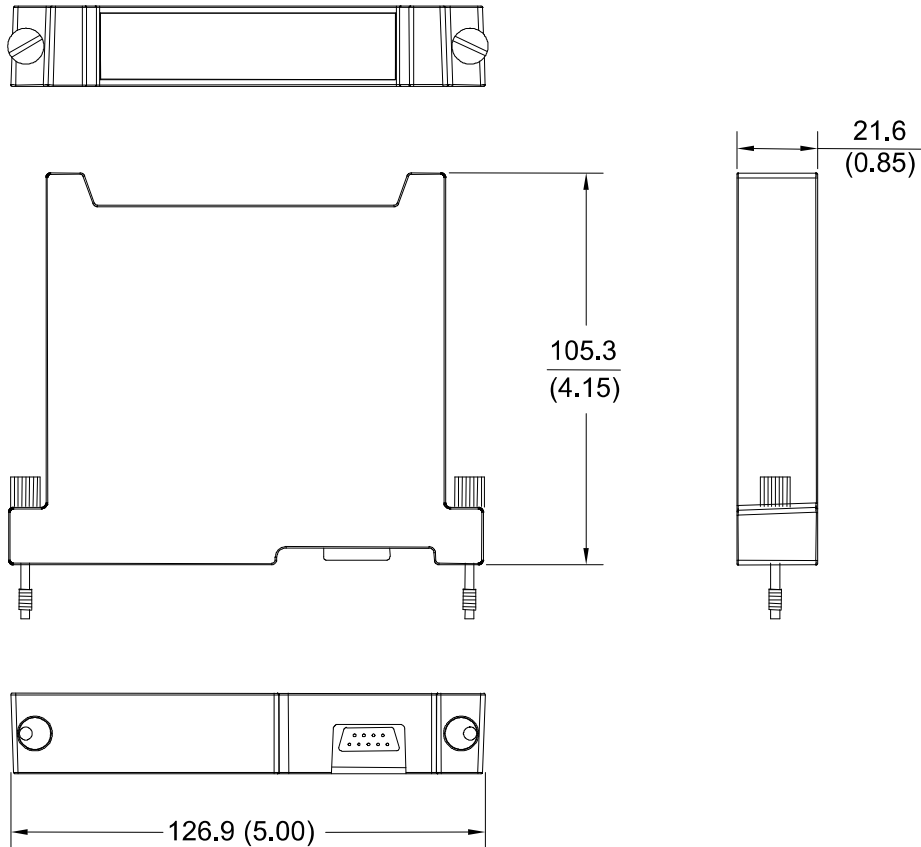
- 01** Dual Proximito/
Accelerometer I/O Module
- 02** Dual Velocity I/O Module
- 03** Dual Velomitor I/O Module
- 04** Velomitor A and Velocity B I/O
Module
- 05** Dual -18V Proximito I/O
Module

B: Hazardous Area Approval

Use the **05** option in the 1701/06 Isolator Terminal Base

- 00** Division 2/Zone 2
- 05** Division 2/Zone 2 for Monitor
Division 1, Zone 0/1 for
Transducers

Dimensional Drawing



Dimensions are in millimetres (inches)

Bently Nevada, FieldMonitor, Proximito, and Velomitor are trademarks of General Electric Company.

Modbus is a registered mark of Schneider Electric.

ControlNet™ is a trademark of ControlNet International.

DeviceNet™ is a trademark of the Open DeviceNet Vendor Association (ODVA).

Profibus™ is a trademark of the PROFIBUS User Organization.

Copyright 1999. Bently Nevada LLC.
1631 Bently Parkway South, Minden, Nevada USA 89423
Phone: 775.782.3611 Fax: 775.215.2873

www.ge-energy.com/bently

All rights reserved.

Specifications and Ordering Information
Part Number 141480-01
Rev. E (11/08)