

# SIEMENS

## SIMATIC

ET 200S distributed I/O  
Digital electronic module  
4DO DC24V/0.5A ST  
(6ES7132-4BD02-0AA0)

Manual

Preface

1

Properties

2

Diagnostics

3

01/2008

A5E01254028-01

## Safety Guidelines

This manual contains notices you have to observe in order to ensure your personal safety, as well as to prevent damage to property. The notices referring to your personal safety are highlighted in the manual by a safety alert symbol, notices referring only to property damage have no safety alert symbol. These notices shown below are graded according to the degree of danger.

<b>⚠ DANGER</b>
indicates that death or severe personal injury <b>will</b> result if proper precautions are not taken.
<b>⚠ WARNING</b>
indicates that death or severe personal injury <b>may</b> result if proper precautions are not taken.
<b>⚠ CAUTION</b>
with a safety alert symbol, indicates that minor personal injury can result if proper precautions are not taken.
<b>CAUTION</b>
without a safety alert symbol, indicates that property damage can result if proper precautions are not taken.
<b>NOTICE</b>
indicates that an unintended result or situation can occur if the corresponding information is not taken into account.

If more than one degree of danger is present, the warning notice representing the highest degree of danger will be used. A notice warning of injury to persons with a safety alert symbol may also include a warning relating to property damage.

## Qualified Personnel

The device/system may only be set up and used in conjunction with this documentation. Commissioning and operation of a device/system may only be performed by **qualified personnel**. Within the context of the safety notes in this documentation qualified persons are defined as persons who are authorized to commission, ground and label devices, systems and circuits in accordance with established safety practices and standards.

## Prescribed Usage

Note the following:

<b>⚠ WARNING</b>
This device may only be used for the applications described in the catalog or the technical description and only in connection with devices or components from other manufacturers which have been approved or recommended by Siemens. Correct, reliable operation of the product requires proper transport, storage, positioning and assembly as well as careful operation and maintenance.

## Trademarks

All names identified by ® are registered trademarks of the Siemens AG. The remaining trademarks in this publication may be trademarks whose use by third parties for their own purposes could violate the rights of the owner.

## Disclaimer of Liability

We have reviewed the contents of this publication to ensure consistency with the hardware and software described. Since variance cannot be precluded entirely, we cannot guarantee full consistency. However, the information in this publication is reviewed regularly and any necessary corrections are included in subsequent editions.

# Table of contents

<b>1</b>	<b>Preface</b> .....	<b>5</b>
<b>2</b>	<b>Properties</b> .....	<b>7</b>
2.1	Digital electronic module 4DO DC24V/0.5A ST (6ES7132-4BD02-0AA0).....	7
<b>3</b>	<b>Diagnostics</b> .....	<b>11</b>
3.1	Diagnostics using LED display.....	11
	<b>Index</b> .....	<b>13</b>



# Preface

## Purpose of the manual

This manual supplements the *ET 200S Distributed I/O System* Operating Instructions. General functions for the ET 200S are described in the *ET 200S Distributed I/O System* Operating Instructions.

The information in this document along with the operating instructions enables you to commission the ET 200S.

## Basic knowledge requirements

To understand these operating instructions you should have general knowledge of automation engineering.

## Scope of the manual

This manual applies to this ET 200S module. It describes the components that are valid at the time of publication.

## Recycling and disposal

Thanks to the fact that it is low in contaminants, this ET 200S module is recyclable. For environmentally compliant recycling and disposal of your electronic waste, please contact a company certified for the disposal of electronic waste.

## Additional support

If you have any questions relating to the products described in these operating instructions, and do not find the answers in this document, please contact your local Siemens representative.

<http://www.siemens.com/automation/partner>

The portal to our technical documentation for the various SIMATIC products and systems is available at:

<http://www.siemens.com/automation/simatic/portal>

The online catalog and ordering system are available at:

<http://www.siemens.com/automation/mall>

## Training center

We offer courses to help you get started with the ET 200S and the SIMATIC S7 automation system. Please contact your regional training center or the central training center in D -90327, Nuremberg, Germany.

Phone: +49 (911) 895-3200.

<http://www.siemens.com/sitrain>

## Technical Support

You can reach technical support for all A&D projects

- using the support request web form:  
<http://www.siemens.com/automation/support-request>
- Phone: + 49 180 5050 222
- Fax: + 49 180 5050 223

For more information about our technical support, refer to our Web site at

<http://www.siemens.de/automation/service>

## Service & Support on the Internet

In addition to our documentation services, you can also make use of our comprehensive online knowledge base on the Internet.

<http://www.siemens.com/automation/service&support>

There you will find:

- Our Newsletter, which constantly provides you with the latest information about your products.
- The right documentation for you using our Service & Support search engine.
- The bulletin board, a worldwide knowledge exchange for users and experts.
- Your local contact for Automation & Drives in our contact database.
- Information about on-site services, repairs, spare parts. Lots more can be found on our "Services" pages.

## Properties

### 2.1 Digital electronic module 4DO DC24V/0.5A ST (6ES7132-4BD02-0AA0)

#### Properties

- Digital electronic module with four outputs
- Output current 0.5 A per output
- Rated load voltage 24 VDC
- Short-circuit protection
- Suitable for solenoid valves, DC contactors, and indicator lights
- Supports isochronous operation
- Extended temperature range from 0 to 55 °C with vertical installation

#### Peculiarity

When you connect the 24 VDC rated load voltage to the power module by means of a mechanical contact, depending on the circuit the digital outputs carry the "1" signal for approximately 50 µs. You need to take this into account if you connect the module to fast counters.

#### General terminal assignment

---

##### Note

Terminals 4, 8, A4, A8, A3 and A7 are only available on specified terminal modules.

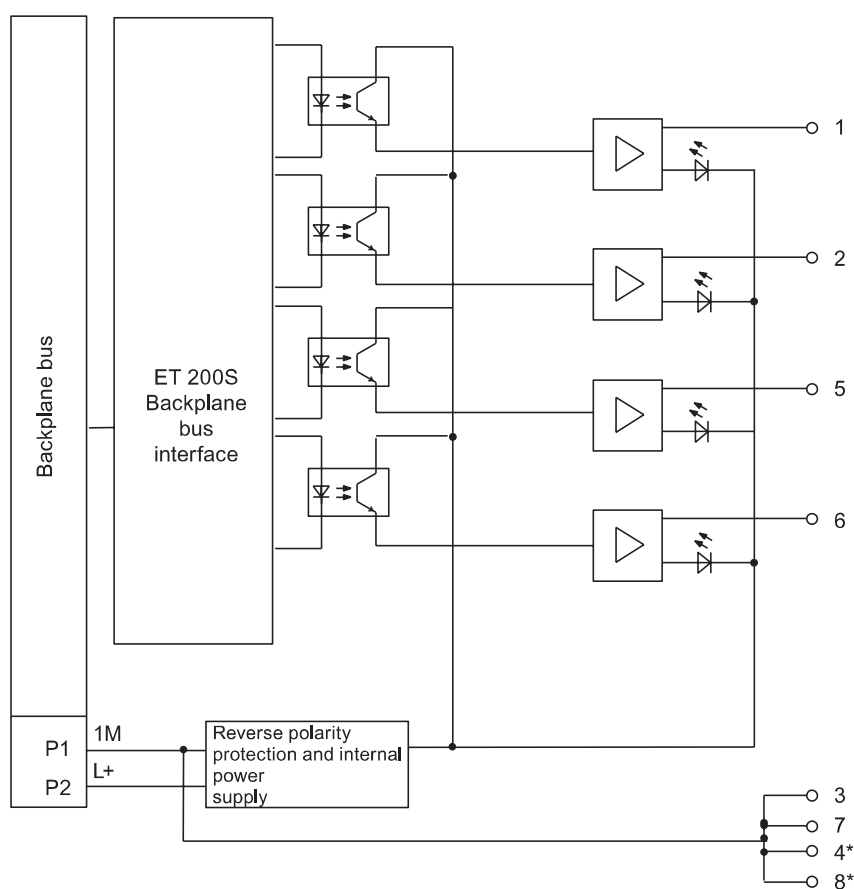
---

Terminal assignment for 4DO DC24V/0.5A ST (6ES7132-4BD02-0AA0)				
Terminal	Assignment	Terminal	Assignment	Notes
1	DO <sub>0</sub>	5	DO <sub>1</sub>	<ul style="list-style-type: none"> <li>• DO<sub>n</sub>: Output signal, Channel n</li> <li>• M: Chassis ground</li> <li>• AUX1: Protective-conductor terminal or voltage bus (freely usable up to 230 VAC)</li> </ul>
2	DO <sub>2</sub>	6	DO <sub>3</sub>	
3	M	7	M	
4	M	8	M	
A4	AUX1	A8	AUX1	
A3	AUX1	A7	AUX1	

Usable terminal modules

Usable terminal modules for 4DO DC24V/0.5A ST (6ES7132-4BD02-0AA0)				
TM-E15C26-A1 (6ES7193-4CA50-0AA0)	TM-E15C24-A1 (6ES7193-4CA30-0AA0)	TM-E15C24-01 (6ES7193-4CB30-0AA0)	TM-E15C23-01 (6ES7193-4CB10-0AA0)	← Spring terminal
TM-E15S26-A1 (6ES7193-4CA40-0AA0)	TM-E15S24-A1 (6ES7193-4CA20-0AA0)	TM-E15S24-01 (6ES7193-4CB20-0AA0)	TM-E15S23-01 (6ES7193-4CB00-0AA0)	← Screw-type terminal
TM-E15N26-A1 (6ES7193-4CA80-0AA0)	TM-E15N24-A1 (6ES7193-4CA70-0AA0)	TM-E15N24-01 (6ES7193-4CB70-0AA0)	TM-E15N23-01 (6ES7193-4CB60-0AA0)	← Fast Connect

Block diagram



\* M for terminal modules with terminals 4 and 8 only

Figure 2-1 Block diagram of the 4DO DC24V/0.5A ST

Technical specifications of 4DO DC24V/0.5A ST (6ES7132-4BD02-0AA0)

Dimensions and weight	
Width (mm)	15
Weight	Approx. 40 g
Module-specific data	
Supports isochronous operation	Yes
Number of outputs	4
Cable length	
• Unshielded	Max. 600 m
• Shielded	Max. 1000 m
Parameter length	1 byte
Address space	1 byte
Address space (packed)	4 bits

Properties

2.1 Digital electronic module 4DO DC24V/0.5A ST (6ES7132-4BD02-0AA0)

<b>Voltages, currents, potentials</b>	
Rated load voltage L+ (from the power module)	24 VDC
• Reverse polarity protection	Yes <sup>1</sup>
Total current of the outputs (per module)	2 A
Galvanic isolation	
• Between the channels	No
• Between the channels and backplane bus	Yes
Permissible potential difference	
• Between the different circuits	75 VDC / 60 VAC
Insulation tested	500 VDC
Current consumption	
• From the rated load voltage L+ (no load)	Max. 10 mA per channel
Power dissipation of the module	Typically 0.8 W
<b>Status, interrupts, diagnostics</b>	
Status display	Green LED per channel
Diagnostics function	No
<b>Data for selecting an actuator</b>	
Output voltage	
• At signal "1"	Min. L+ (-1 V)
Output current	
• At signal "1"	
– Rated value	0.5 A
– Permitted range	7 mA to 0.6 A
• With signal "0" (leakage current)	Max. 0.5 mA
Output delay (for resistive load)	
• At "0" to "1"	Max. 50 µs Typically 45 µs
• At "1" to "0"	Max. 120 µs Typically 90 µs
Load resistor range	48 Ω to 3.4 kΩ
Lamp load	Max. 5 W
Connecting two outputs in parallel	
• For redundant triggering of a load	Yes (per module)
• To increase performance	No
Control of a digital input	Yes
Switch rate	
• For resistive load	Max. 800 Hz
• On inductive load	2 Hz
• For lamp load	10 Hz
Limitation (internal) of the voltage induced on circuit interruption	Typically L+ (-55 V to -60 V)
Reverse-voltage proof	Yes, if using the same load voltage as at the power module
Short-circuit protection of the output	
• Threshold on	Typically 0.7 A to 1.5 A

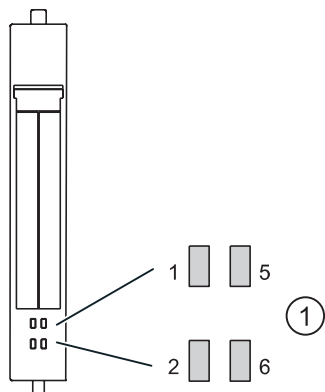
<sup>1</sup> Polarity reversal can lead to the digital outputs being connected through.

<sup>2</sup> Per channel

## Diagnostics

### 3.1 Diagnostics using LED display

#### LED display



- ① Status display for output status (green)

#### Status displays

Event (LEDs)				Cause	Remedy
1	5	2	6		
On				Output on channel 0 activated.	—
	On			Output on channel 1 activated.	—
		On		Output on channel 2 activated.	—
			On	Output on channel 3 activated.	—