

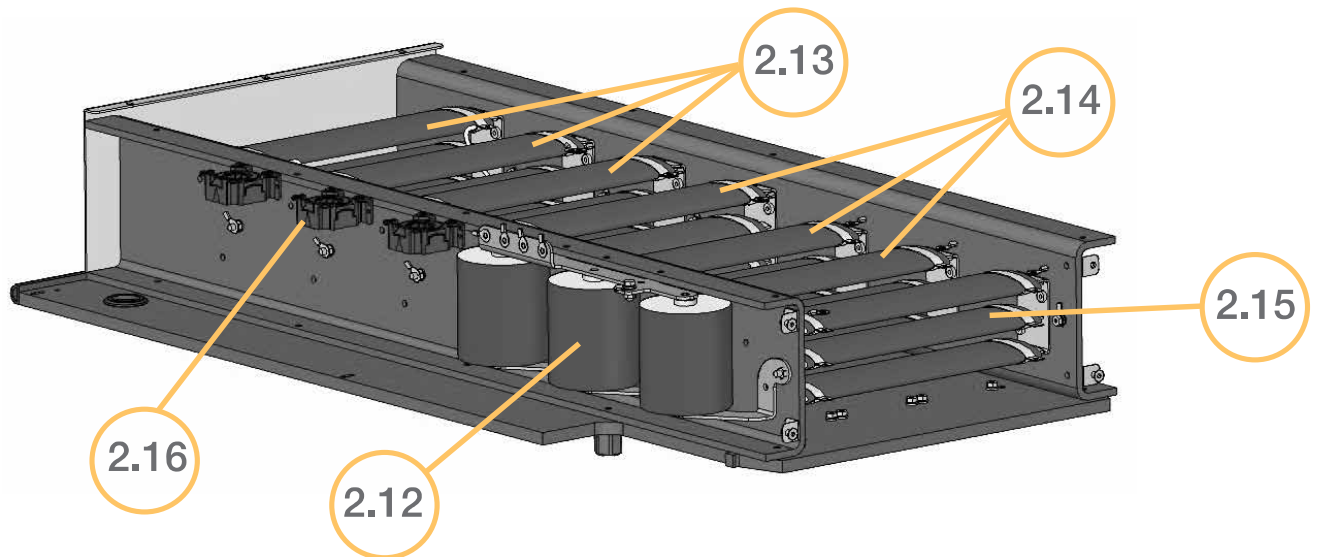


# ABB Medium Voltage Drives ACS2000 4kV Frames 1, 2, & 3 Spare Parts Catalog

# ACS2000 4kV spare parts Master list

Category	ACS2000 4KV Part	Type	Description	F1	F2	F3	Disc	Page
	2UEA000936	20A 3 Phase Buffer Module	Power Supply	x	x	x		15
	2UEA001961	UPS, 24VDC, 40 Amp	Power Supply (+CPR02)	x	x	x		15
	3BHE032593R0002	IPS Power Supply	IGBT Power Supply	x	x	x		19,26,34
	2UEA001960	Battery, 24VDC, 12 Ah	UPS Battery 24VDC (+CPR02)	x	x	x		15
	2UEA000762	Autotransformer	Cont. Voltage Transformer (+AUX40, +AUX60)	x				
	2UEA002959	Autotransformer	Cont. Voltage Transformer (+AUX40, +AUX60)		x			
	2UEA002977	Autotransformer	Cont. Voltage Transformer (+AUX40, +AUX60)			x		
<b>User interface</b>								
	2UEA000987	Control Panel, CDP312R	Control Panel	x	x	x		13
	3BHL000764P0001	Control Panel Interface, NDPI-02	Control Panel	x	x	x		13
	2UEA000986	Control Panel	Keypad Frame	x	x	x		13
	2UEA000570	CDP312 Connector plug	CDP312 Connector plug	x	x	x		13
	2UEA000572	Y-Connector, RJ12	Control Panel	x	x	x		13
	2UEA000950	Operator pushbutton, white	Push Button, White 30MM	x	x	x		13
	2UEA000958	Contact and lamp block with holder kit	Adapter	x	x	x		13
	2UEA000962	LED, white	Led	x	x	x		13
	2UEA000951	Operator pushbutton, green	Push Button, Green 30MM	x	x	x		13
	2UEA000963	LED, green	Led	x	x	x		13
	2UEA002665	LED, green	Led				x	45
	2UEA001520	Operator, green	Push Button, Green				x	45
	2UEA000952	Operator, yellow	Push Button, Yellow 30MM	x	x	x		13
	2UEA000959	lamp block with holder kit	Adapter	x	x	x	x	13,47
	2UEA000964	LED, yellow	Led	x	x	x		13
	2UEA000953	Operator, blue	Push Button, Blue 30MM	x	x	x		13
	2UEA000965	LED, blue	Led	x	x	x		13
	2UEA000956	Operator, Red	Lens, Red 30MM (+FDPL05)	x	x	x	x	47
	2UEA000966	LED, Red	LED, red (+FDPL05)	x	x	x		
	2UEA002666	LED, Red					x	45
	2UEA000957	Potentiometer	Operator Potentiometer (+FDSP01)	x	x	x		
	2UEA000961	Adaptor	Potentiometer Contact Block (+FDSP01)	x	x	x		
	2UEA000954	Switch	Switch Contact Block (+FDSP01)	x	x	x		
	2UEA000960	Adaptor	Switch Contact Block (+FDSS01, +FDSS02)	x	x	x		
	2UEA000131	Emergency Stop	Emergency Stop Protective Collar	x	x	x		13
	2UEA000130	Emergency Stop	Emergency Stop Pushbutton	x	x	x		13
	2UEA000126	Emergency Stop	Contact Block Holder	x	x	x		13
	2UEA0001312	Emergency Stop	Contact Block	x	x	x		13
*Long lead item	2UEA003571	Disconnect	Grounding Disconnect				x	47
<b>Electrical general</b>								
	2UEA000761	Fuse, 4A	Control Fuse	x	x	x		15
	2UEA001336	Charging Circuit Breaker	Circuit Breaker, 2 Pole 10A 480V	x	x			15
	2UEA002646	Charging Circuit Breaker	Circuit Breaker, 2 Pole 13A 480V				x	
	2UEA000791	Circuit Breaker, 3 Pole 4A 480V	Circuit Breaker, 3 Pole 4A 480V	x	x	x		15
	2UEA002101	Circuit Breaker, IPS Supply	Circuit Breaker, 2 Pole 20A 24VDC	x	x	x		
	2UEA001289	Circuit Breaker	Main Power Supply Breaker 120V/240V (+SPC01)	x	x	x		

## IFU Section Middle - Resistor box components



Picture 4C: Resistor box section

Item	Part number	Cabinet Qty	Description	Notes
2.1	2UEA000992	1	IFU Capacitor	
2.2	2UEA000138	1	Charging Transformer	
2.3	2UEA000967	1	High Voltage Relay	
2.4	3BHE032593R0002	1	IGBT Power Supply	
2.5	3BHE032285R0102	1	HVD Board	
2.6	3BHE005555R0101	1	SYNC Board	
2.7	3BHE020959R0127	1	IGBT Power Supply Board	
2.8	3BHE006373R0101	1	Optical Electrical Interface (OEI) Board	
2.9	2UEA001051	1	Fan	
2.10	3BHB020698R0010	1	NP Grounding Capacitor	
2.11	3BHB024326R0001	1	Filter Assembly	
2.12	2UEA000005	3	EMC Filter Capacitor	
2.13	2UEA000004	3	EMC Filter Resistor	
2.14	2UEA000993	3	IFU Resistor	
2.15	2UEA000711	1	NP CM Filter Resistor	
2.16	2UEA000988	3	LEM Current Transducer	