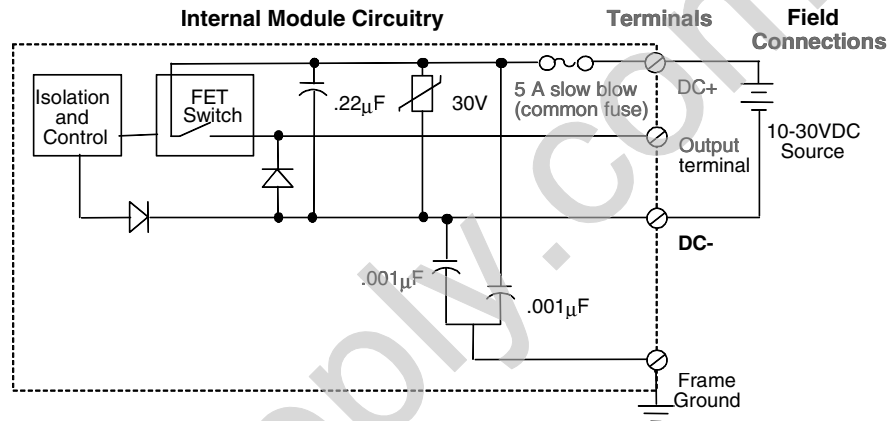


Module Operation

After checking the Board ID and verifying that the module is receiving appropriate logic power from the Bus Interface Unit (as reflected by the state of the module's Power LED), the Bus Interface Unit then sends output data to the module in serial format. During transmission, the module automatically loops this data back to the Bus Interface Unit for verification.

Serial to parallel converters convert this data into the parallel format needed by the module. Optoisolators isolate the module's logic components from field outputs. Power from the external power supply is used to drive the FETs that source current to the loads.

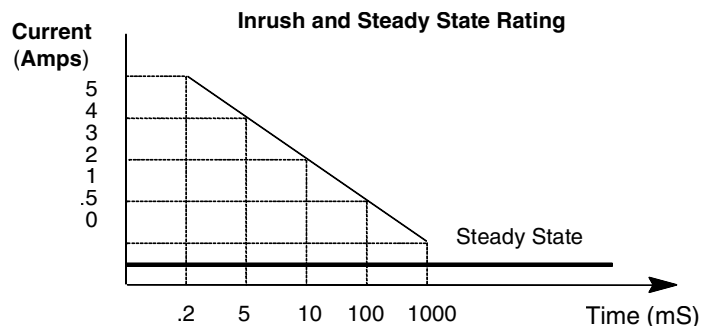


Maximum Load Rating

The outputs can switch loads over the range of 10 to 30 VDC and are capable of sourcing a maximum of 0.5A per point. The total maximum steady-state load for the entire module is 4A.

Caution

Failure to observe this maximum load guideline could result in misoperation or destruction of the module.



Module Specifications

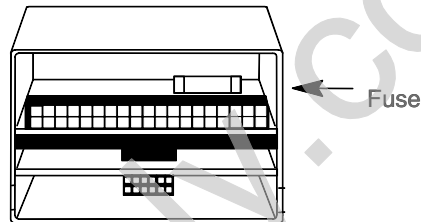
Module Characteristics	
User Input Voltage	10 - 30VDC, 24VDC nominal, 4A maximum
Output Voltage Range	9.2 VDC to 29.5 VDC
Output Current	0.5 Amps maximum per point 4 Amps maximum per module
Outputs per module	16
Indicators	Logic side LEDs indicate on/off status of each output; blown fuse fault and user supply below 9.8VDC.
Isolation: User input to logic, user input to frame ground, group to group	250 VAC continuous, 1500 VAC for 1 minute. No isolation between individual points in a group.
Current Drawn from Bus Interface Unit Power Supply	111 mA maximum
Output Characteristics	
Inrush Current	2A maximum for 100mS (see Inrush and Steady State Rating diagram)
Maximum Load Current (resistive)	0.5 Amps from 10 VDC to 30 VDC
Minimum Load Current	1 mA per point
Output Voltage Drop	0.5 volts maximum
Output Leakage Current	0.5 mA at 30 VDC
Response Time-On	200 μ s maximum with 0.5A resistive load
Response Time-Off	200 μ s maximum with 0.5A resistive load
Protection (each output)	Fuse: -Metric 5 x 20 mm - 5 Amp, 250 V, Slow Acting Common to all outputs

Module Fuse

The module's 5 Amp fuse protects outputs against the effects of polarity reversal of the external power supply or excessive current through the output points.

If incorrect connection of the power supply blows the fuse, it is indicated by the module's LED. In addition, the module provides a Blown Fuse diagnostic message to the BIU. If the fuse blows, disconnect power, remove the module and replace the fuse. *CAUTION: Electrostatic discharge can damage the module when it is not installed on an I/O Terminal Block. Always observe normal ESD protection practices when handling an un-installed module.*

Fuse location is shown below. Pry the fuse upward to remove it, taking care not to damage any components in the module. Place the new fuse in position and press it into the holder.



Spare fuses can be stored in the fuse holder compartment of the I/O Terminal Block (under the I/O module). The fuse should be a 5A, 5x20mm 250VAC slow-blow type.

Keying Locations

Optional keying locations for the 12/24 VDC Positive Output Module are shown below.

Keying Locations									
A	B	C	D	E	F	G	H	J	K
x		x						x	x

Field Wiring

The Terminal Block with box terminals has 25 terminals for each module, each of which accommodates one AWG #14 (avg 2.1mm² cross section) to AWG #22 (avg 0.36mm² cross section) wire, or two wires up to AWG #18 (avg. 0.86mm² cross section). When an external jumper is used, the wire capacity is reduced from AWG #14 (2.10mm²) to AWG #16 (1.32mm²).

The I/O Terminal Block with barrier terminals has 18 terminals per module. Each terminal can accommodate one or two wires up to AWG #14 (avg 2.1mm² cross section).

The I/O Terminal Block with Connectors has one 20-pin male connector per module.

The following illustration shows terminal assignments for the 12/24 VDC Positive Output Module.

