



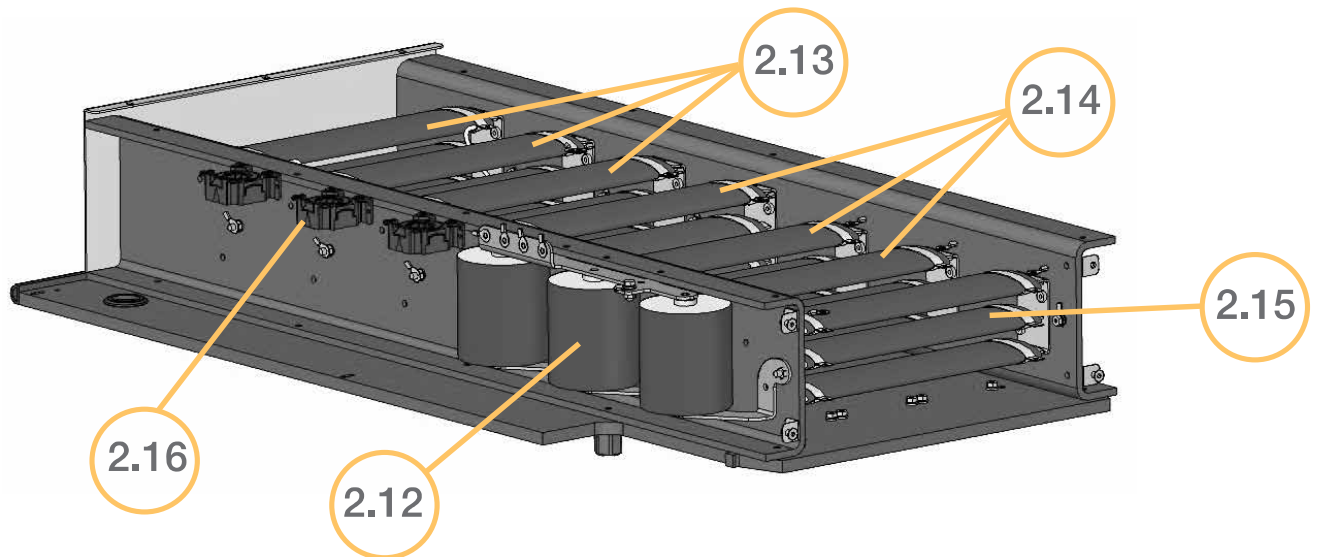
ABB Medium Voltage Drives ACS2000 4kV Frames 1, 2, & 3 Spare Parts Catalog

ACS2000 4kV spare parts list

Master list

Category	ACS2000 4KV Part	Type	Description	F1	F2	F3	Disc	Page
	2UEA003165	Inductor, Common Mode	Common Mode Inductor			x		34, 37
	2UEA000886	Inductor, EMC Filter Inductor	EMC Filter Inductor (SN<2124903744)	x				20
	2UEA003160	Inductor, EMC Filter Inductor	EMC Filter Inductor		x			28
	2UEA003166	Inductor, EMC Filter Inductor	EMC Filter Inductor			x		34, 37
	2UEA002349	Inrestor	Inrestor	x				20
	2UEA003150	Inrestor	Inrestor		x			26
	2UEA002348	Inrestor	Inrestor			x		34
Charging unit								
	2UEA000967	High Voltage Relay	High Voltage Relay	x	x	x		19,27,39
	2UEA000138	Charging transformer 400/460V, 4200V	Charging Transformer	x	x	x		19,28,38
Circuit Protection								
	2UEA001267	Fuse 70 Amp	Power Fuse (300 - 400 HP)	x			x	17,47
	2UEA001268	Fuse 140 Amp	Power Fuse (450 - 700; 1250 HP)	x	x		x	17,24,47
	2UEA002203	Fuse, 160 Amp	Power Fuse (1500-1750 HP)		x		x	24,47
	2UEA000093	Fuse 200 Amp	Power Fuse (800 - 1000; 2000 HP)	x	x		x	17,24
	2UEA001947	Fuse 230 Amp	Power Fuse (2250 - 3000 HP)			x	x	36
	2UEA002431	Fuse	Fuse, MV, 4A				x	47
	2UEA001927	Fuse	Fuse, 3.2A				x	48
	2UEA000149	Surge Arrestor	Surge Arrestor	x	x	x		17,24,36
Control electronics								
Printed circuit boards								
	3BHE024577R0101	PP C907 BE: AMC 34 - PCB Varnished	Application and Motor Control	x	x	x		15
	3BHE024855R0101	UF C921 A101: INT-2 Board Varnished	Interface board	x	x	x		15
	3BHE024747R0101	Crowbar Board	Crowbar Board	x	x	x		22,26
	3BHE032285R0102	HVD Board Varnished.	High Voltage Divider	x	x	x		19,27,39
	3BHE009017R0102	VLSCD-Board, Coated, Type XV C724 BE	Short Circuit Detection	x	x	x		22,31,42
	3BHE005555R0101	LD SYN-01	Sync Board	x	x	x		19,27,39
	3BHE020959R0127	IPS Single Voltage 27V	IGBT Power Supply	x	x	x		19,27,39
	3BHE006373R0101	OEI-Board	Optical Electrical Interface	x	x	x		19,27,39
I/Os								
	3BHB003041R0101	IOEC IO	IO Module	x	x	x		15
	2UEA000843	IOEC Connector-3 Position	IO Module	x	x	x		15
	2UEA000861	IOEC Connector-7 Position	IO Module	x	x	x		15
	2UEA000845	IOEC Connector-10 Position	IO Module	x	x	x		15
*Long lead item	2UEA003570	Intellivac	Intellivac	x	x	x	x	48
	2UEA001919	Motor Management Relay	Motor Management Relay	x	x	x	x	
	2UEA003092	Motor Management Relay	Motor Management Relay	x	x	x	x	
Transducers								
	2UEA000988	Current Transducer	LEM CT	x				19
	2UEA001456	Current Transducer	LEM CT		x			25
	2UEA002111	Current Transducer	LEM CT			x		38
	2UEA001894	Current Transducer	Current Transducer (500A) Frame 1&2	x	x		x	45
	2UEA003040	Current Transducer	Current Transducer (1000A) Frame 3			x	x	45
Power supplies								
	2UEA002224	Power Supply	+24VDC Main Power Supply, 40A 480AC	x	x	x		15
	2UEA002709	Power Supply	+24VDC Main Power Supply, 120/240AC (+SPC01)	x	x	x		15

IFU Section Middle - Resistor box components

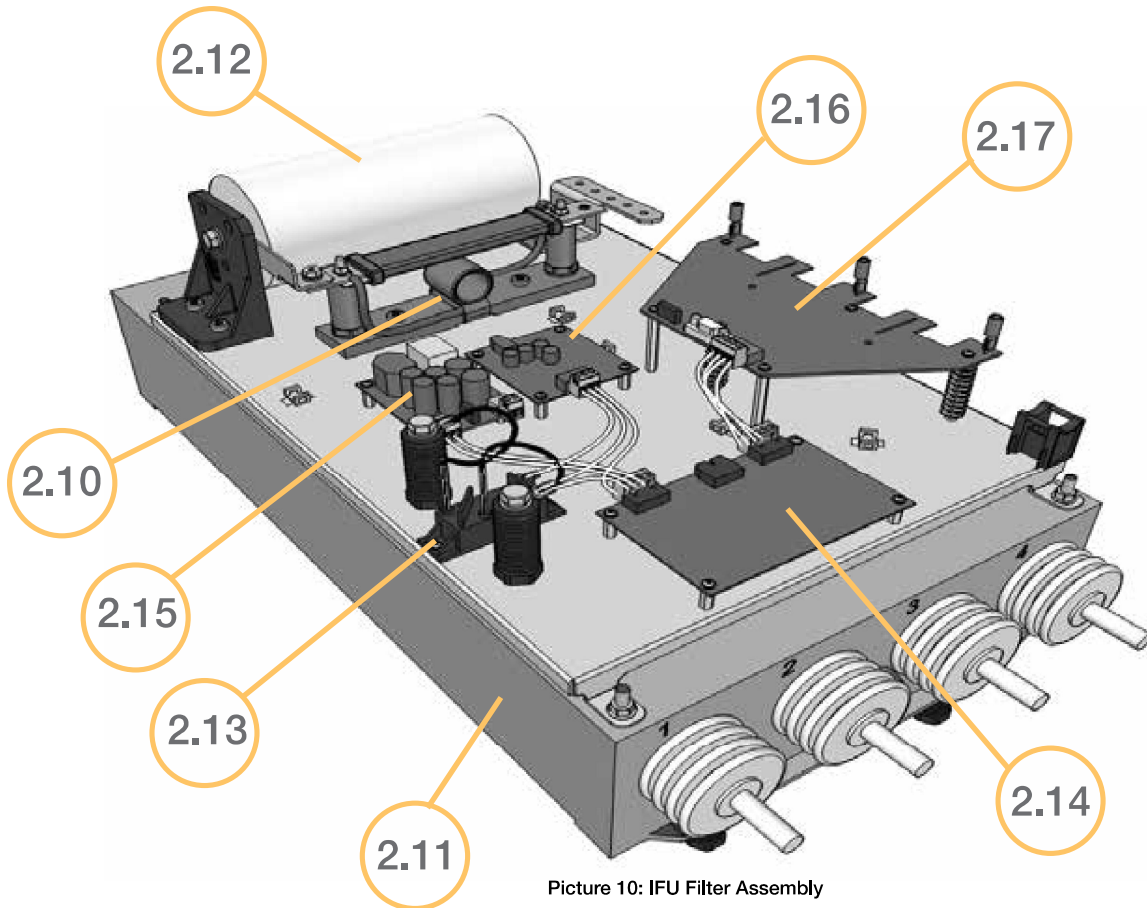


Picture 4C: Resistor box section

Item	Part number	Cabinet Qty	Description	Notes
2.1	2UEA000992	1	IFU Capacitor	
2.2	2UEA000138	1	Charging Transformer	
2.3	2UEA000967	1	High Voltage Relay	
2.4	3BHE032593R0002	1	IGBT Power Supply	
2.5	3BHE032285R0102	1	HVD Board	
2.6	3BHE005555R0101	1	SYNC Board	
2.7	3BHE020959R0127	1	IGBT Power Supply Board	
2.8	3BHE006373R0101	1	Optical Electrical Interface (OEI) Board	
2.9	2UEA001051	1	Fan	
2.10	3BHB020698R0010	1	NP Grounding Capacitor	
2.11	3BHB024326R0001	1	Filter Assembly	
2.12	2UEA000005	3	EMC Filter Capacitor	
2.13	2UEA000004	3	EMC Filter Resistor	
2.14	2UEA000993	3	IFU Resistor	
2.15	2UEA000711	1	NP CM Filter Resistor	
2.16	2UEA000988	3	LEM Current Transducer	

IFU Section

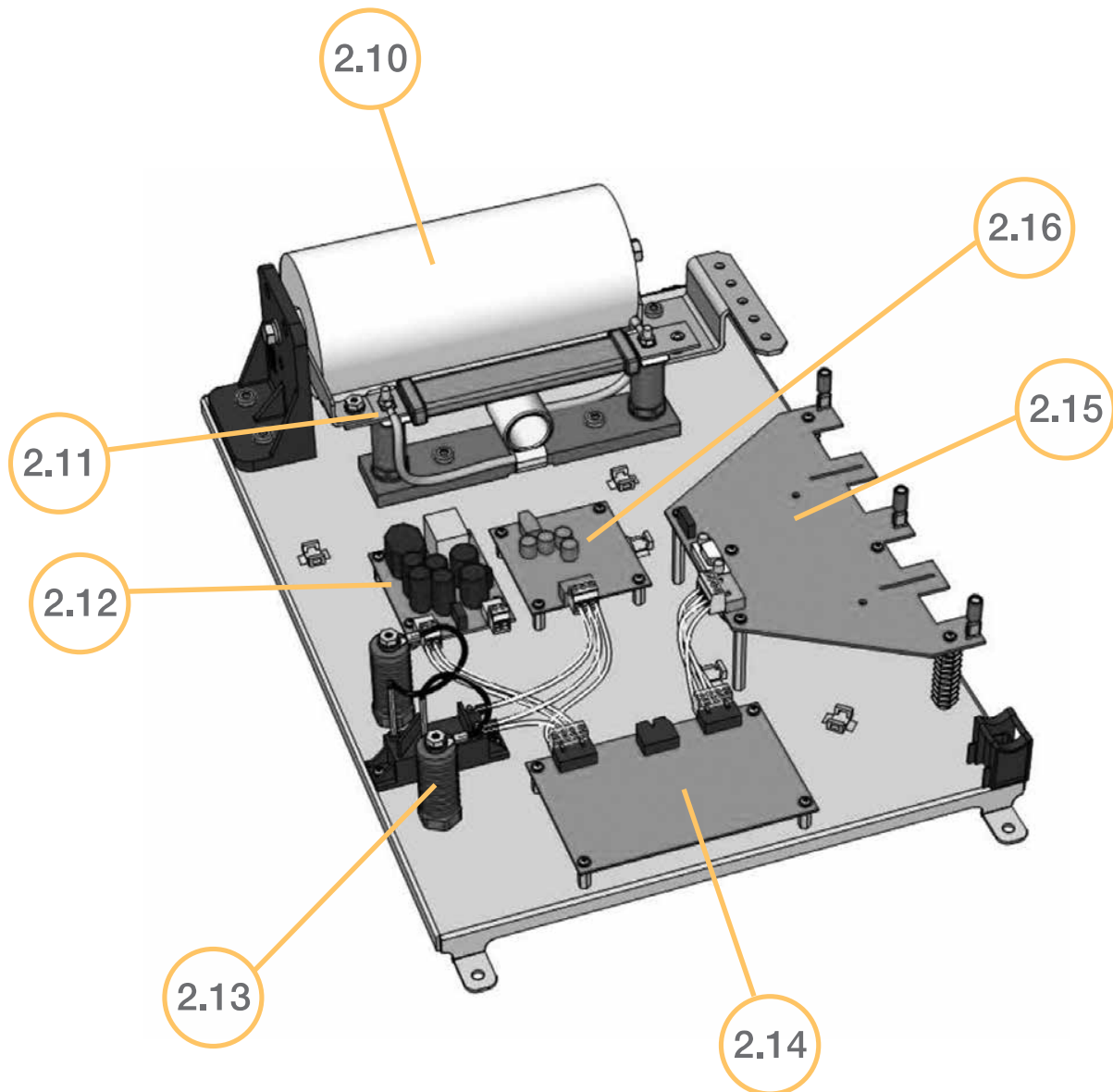
Filter Assembly



Picture 10: IFU Filter Assembly

Item	Part number	Cabinet Qty	Description	Notes
2.10	3BHB024326R0001	1	Filter Assembly	
2.11	2UEA001352	1	IFU Capacitor	
2.12	3BHB020698R0010	1	NP Grounding Capacitor	
2.13	2UEA000967	1	High Voltage Relay	
2.14	3BHE005555R0101	1	Sync Board	
2.15	3BHE020959R0127	1	IGBT Power Supply Board	
2.16	3BHE006373R0101	1	Optical Electrical Interface (OEI) Board	
2.17	3BHE032285R0102	1	High Voltage Divider (HVD) Board	

IFU Section Filter Assembly



Picture 18: IFU Filter Assembly

Item	Part number	Cabinet Qty	Description	Notes
2.10	3BHB020698R0010	1	NP Grounding Capacitor	
2.11	3BHB024326R0001	1	Filter Assembly	
2.12	3BHE020959R0127	1	IGBT Power Supply Board	
2.13	2UEA000967	1	High Voltage Relay	
2.14	3BHE005555R0101	1	Sync Board	
2.15	3BHE032285R0102	1	High Voltage Divider (HVD) Board	
2.16	3BHE006373R0101	1	Optical Electrical Interface (OEI) Board	