

LCN System Installation

SW20-500

Appendix C – Installations of CE Compliant Options

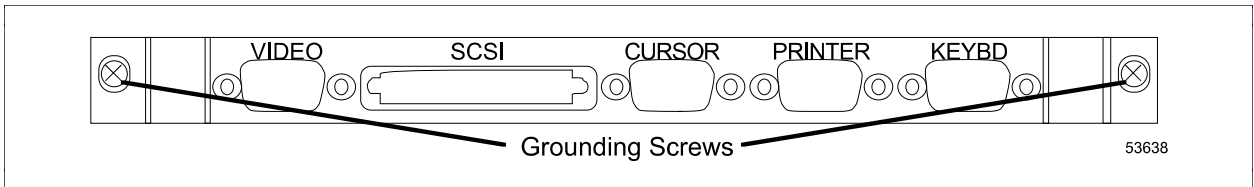
C.1 Overview

Scope

CE Compliant hardware consists of a special set of I/O boards, for each control board type, that have a metal faceplate mounted to the edge of the board that provides grounding for the shielded cables connected to the I/O board. These boards are connected to the module chassis by a retaining screw, located on the right and left ends of the faceplate.

Figure C-1 shows an EPDGC I/O board as an example of an I/O board and the grounding screw locations.

Figure C-1 EDPGC I/O Faceplate



ATTENTION

These screws must always be firmly into the I/O card file to provide the required grounding.

Cables

Classic and ergonomic Universal Stations, Universal Station^Xs, Micro TDC 3000s, and Universal Work Stations have a complete new set of cables that connect the components in each application.

Cabling diagrams and tables

Each cabling application is shown in this appendix with each different cable numbered for identification. Each number is listed in the table following the diagram. Each entry in the table lists the part number and part identification title. The part identification title is assigned for the first application of the cable. A second usage of the same part may have a title not associated with the application.

C.3 Universal Station Cabling—Ergonomic Furniture, Continued

Illustration

Cabling for the Universal Station in ergonomic furniture is shown in the following figure and table. The number in the circles refers to the line item in the table below.

Figure C-5 US Cabling—Ergonomic Furniture with Touchscreen

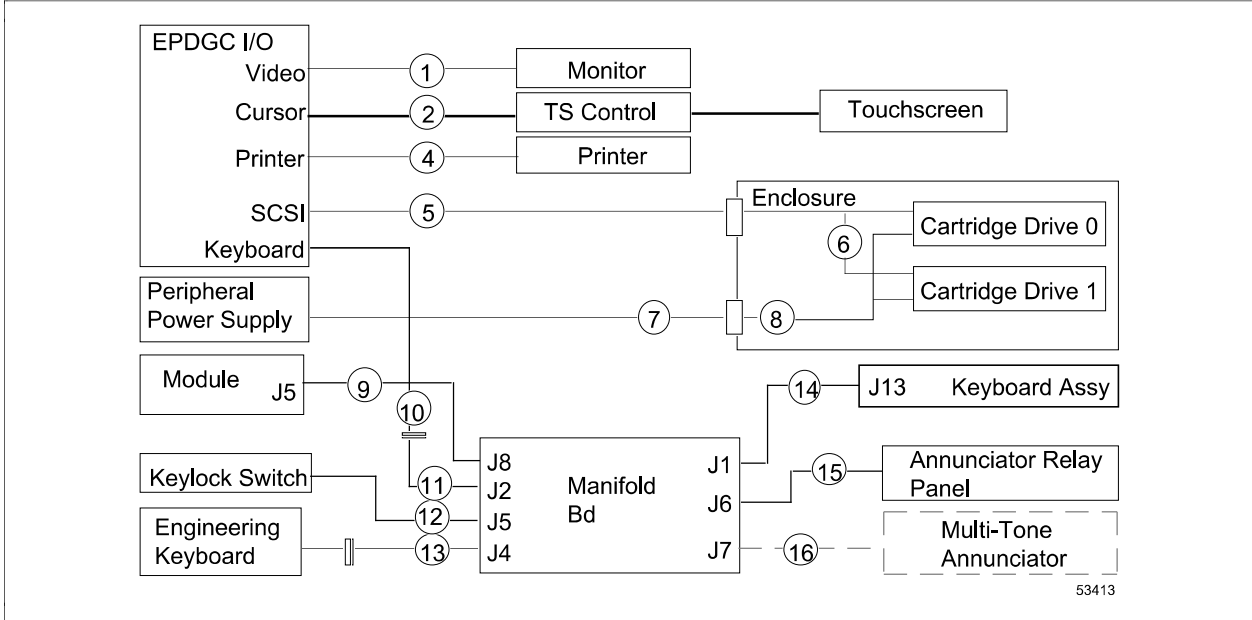


Table C-4 US in Ergonomic Furniture Cabling—Touchscreen

Ref. #	Part Number	Application Notes
1	51301784-200	Classic Console EC Video Cable
2	51308099-100	Mouse/Trackball Interface Cable
3	51308097-200	Touchscreen Interface Cable
4	51308103-003	Printer Cable – 3 meters/9.8 ft.
	51308103-008	Printer Cable – 8 meters/26.3 ft.
	51308103-015	Printer Cable – 15 meters/49.2 ft.
5	51192054-102	Cable, SCSI Shielded, 50 position
6	51305070-100	Cable, SCSI (Single Drive)
	51305070-200	Cable, SCSI (Dual Drive)
7	51308129-100	Skynet-Cart Drive Power Cable
8	51308125-100	Cartridge Drive Enclosure Power Harness
9	51308051-200	Module Status Cable
10	51308105-100	EPDGC/TPDGC Keyboard I/C Cable
11	51303420-622	Annunciator Cable
12	51304029-200	Keylock Switch Cable
13	51308060-100	Eng Keyboard I/F Cable
14	51308058-100	Keyboard I/F Cable
15	51304047-552	Annunciator Power Cable
16	51196650-100	Keyboard Alarm Assy (Multitone Annunciator)