

DESAY



reddot design award 2024

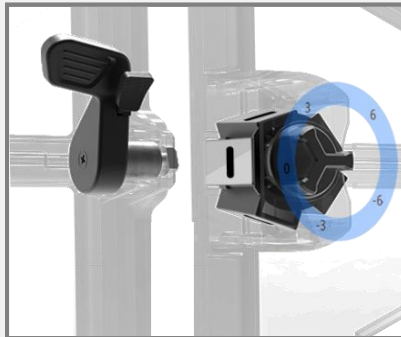
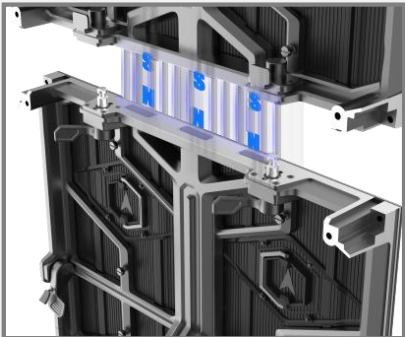
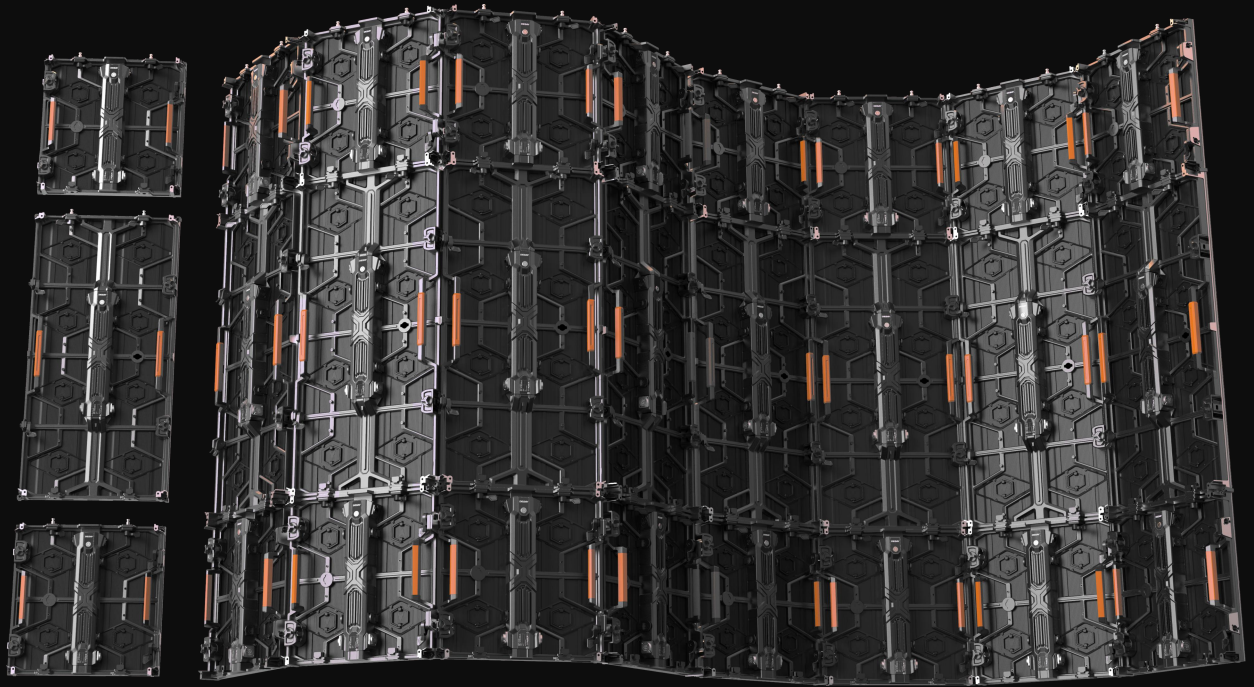


- Indoor rental panel, available pixel pitches: 1.25, 1.5, 1.9, 2.6, 2.9, 3.9 mm
- Ultra slim, only 68 mm
- Optional cabinet sizes: 500×500 mm, 500×1000 mm
- Full front & rear maintenance
- Universal hanging & stacking structure
- Super lightweight: 7 kg/pc (500×500 mm), 11 kg/pc (500×1000 mm)
- Universal power supply box & modules for all cabinet sizes
- High-precision rental cabinet with integrated quick-locks (compatible with 250 x 250 mm modules)
- Quick-lock structure with curved angle adjustment: 0°, ±3°, ±6°
- Professional corner protection design
- Dual safety design: built-in module fuse and isolated power supply
- Vertical power box design, ensuring seamless panel splicing
- Fully compatible with industry-standard control systems including NovaStar and Brompton
- Optional upgrades: Mask, PCB Ink Injection, GOB, Nano Coating
- CE, EMC, FCC, ETL certified

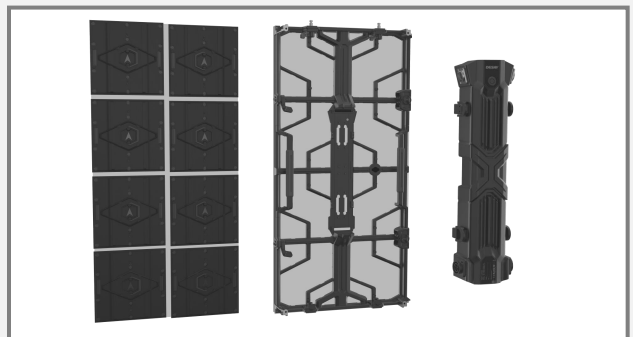
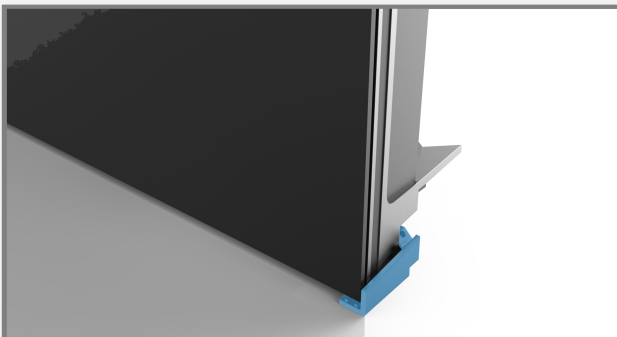
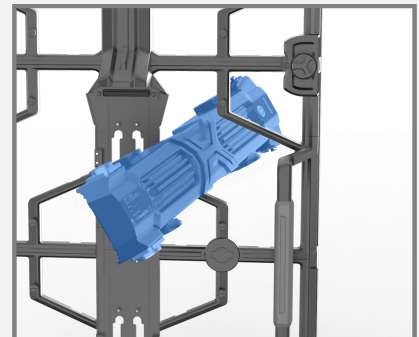
RS Series

Huizhou Desay Intelligent Technology Co., Ltd.
Tel: +86 752 2617333 E-mail: led@desay.com www.desayopto.com

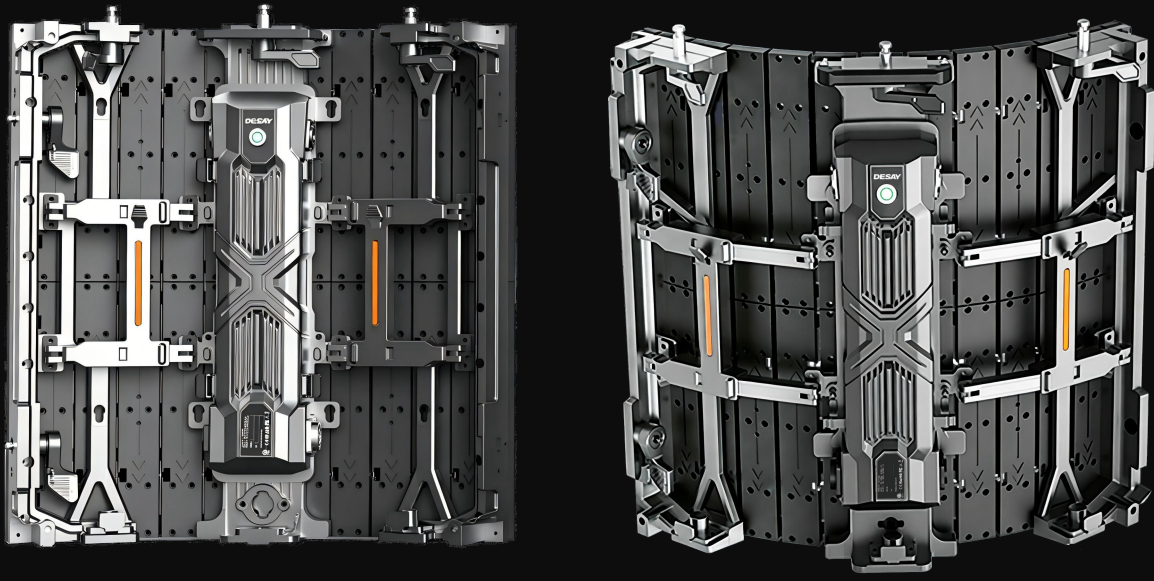
RS Standard Panel



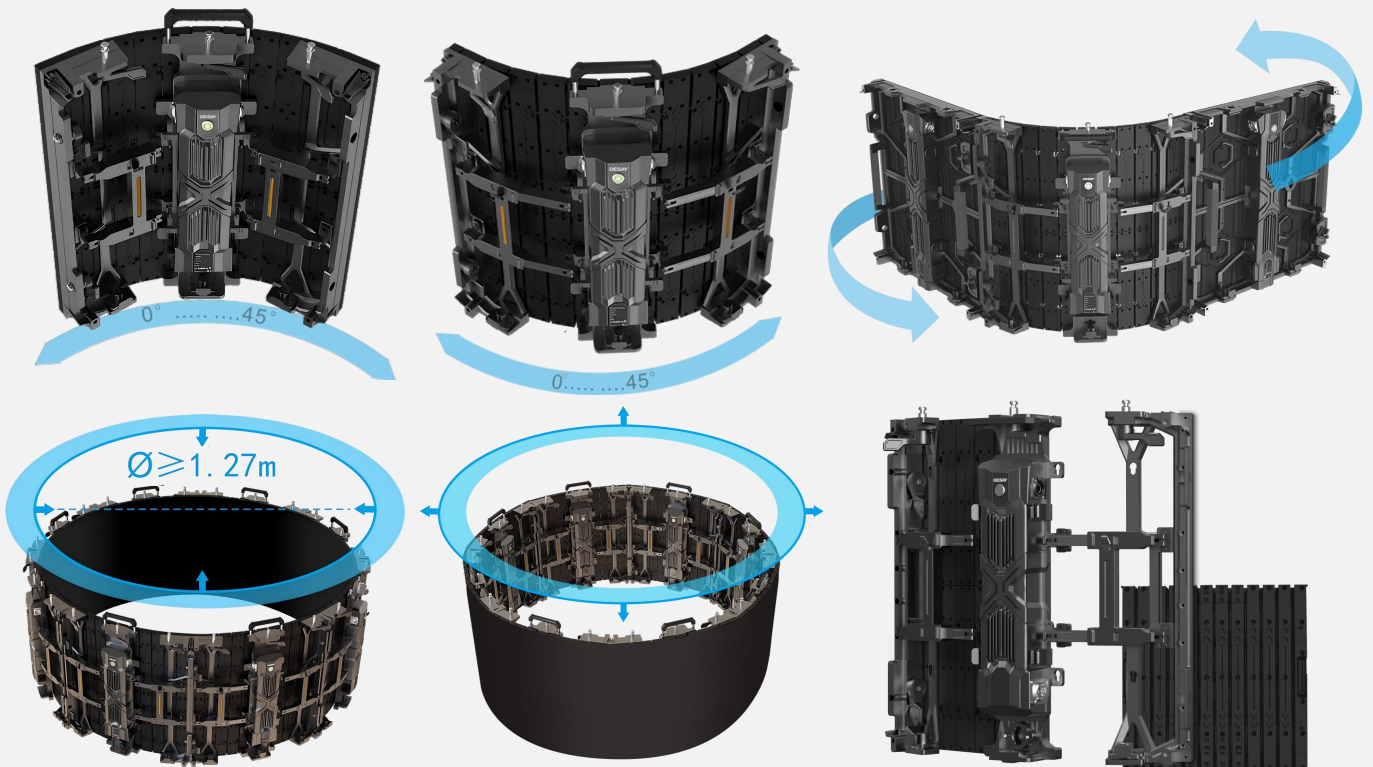
- Full front & rear maintenance module
- Reinforced corner protection
- Positioning magnet
- Integrated power box
- Curved lock angle: 0° , $\pm 3^\circ$, $\pm 6^\circ$



RS-C Flexible Curve Panel



- Available pixel pitches: 1.5, 1.9, 2.6, 2.9, 3.9 mm
- High-precision arc locks, easy curved angle adjustment via movable handles
- $\pm 45^\circ$ curved panel; 8 panels form a full cylinder, support concave & convex installation
- Expandable creative design, combined with RS standard panels for various shapes: smooth arc, cylinder, wave, tunnel, etc
- Support hanging & stacking structure
- Ultra light, only 7.4 kg/pc, engineered for effortless single-person installation



Specifications

RS

Parameter	Unit	RS1.2	RS1.5	RS1.9	RS2.6	RS2.9	RS3.9
Pixel pitch	mm	1.25	1.563	1.953	2.604	2.976	3.906
Brightness	nits	800	600	800	1000	1000	1000
Pixel configuration	R/G/B	SMD 3 in 1					
Color temperature	K	6500					
Viewing angle-Horizontal (50% brightness)	Deg.	140 (+70/-70)					
Viewing angle-Vertical (50% brightness)	Deg.	140 (+70/-70)					
Recommended minimum viewing distance	m	1.2	1.5	2	2.6	3	4
Panel width	mm	500					
Panel height	mm	500			500/1000		
Panel depth	mm	68					
Panel area	m ²	0.25			0.25/0.5		
Panel material		Die-casting Aluminum					
Panel weight	Kg	7			7/11		
Ingress protection (front/back)	IP	30/30					
Pixel matrix per panel		400×400	320×320	256×256	192×192/192×384	168×168/168×336	128×128/128×256
Brightness control		255					
Gray scale	bit	14~16					
Frame rate	Hz	50/60					
Display refresh rate	Hz	3840/7680					
Input voltage	VAC	100~240					
Input power frequency	Hz	50~60					
Input power (Max.)	W/m ²	380±10%	550±10%	550±10%	500±10%	500±10%	480±10%
Input power (Avg.)	W/m ²	133±10%	192±10%	192±10%	175±10%	175±10%	167±10%
Operating temperature range	°C	- 10 ~ + 40					
Lifetime (50% brightness)	Hours	100,000					

RS-C

Parameter	Unit	RS1.5-C	RS1.9-C	RS2.6-C	RS2.9-C	RS3.9-C
Pixel pitch	mm	1.563	1.953	2.604	2.976	3.906
Brightness	nits	600	800	1000	1000	1000
Pixel configuration	R/G/B	SMD 3 in 1				
Color temperature	K	6500				
Viewing angle-Horizontal (50% brightness)	Deg.	140 (+70/-70)				
Viewing angle-Vertical (50% brightness)	Deg.	140 (+70/-70)				
Concave/Convex	Deg.	±45				
Recommended minimum viewing distance	m	1.5	2	2.6	4	4
Panel width	mm	500				
Panel height	mm	500				
Panel depth	mm	68				
Panel area	m ²	0.25				
Panel material		Die-casting Aluminum				
Panel weight	Kg	7.4				
Ingress protection (front/back)	IP	30/30				
Pixel matrix per panel		320×320	256×256	192×192	168×168	128×128
Brightness control		255				
Gray scale	bit	14~16				
Frame rate	Hz	50/60				
Display refresh rate	Hz	3840/7680				
Input voltage	VAC	100~240				
Input power frequency	Hz	50~60				
Input power (Max.)	W/m ²	550±10%	550±10%	500±10%	500±10%	480±10%
Input power (Avg.)	W/m ²	192±10%	192±10%	175±10%	175±10%	168±10%
Operating temperature range	°C	- 10 ~ + 40				
Lifetime (50% brightness)	Hours	100,000				