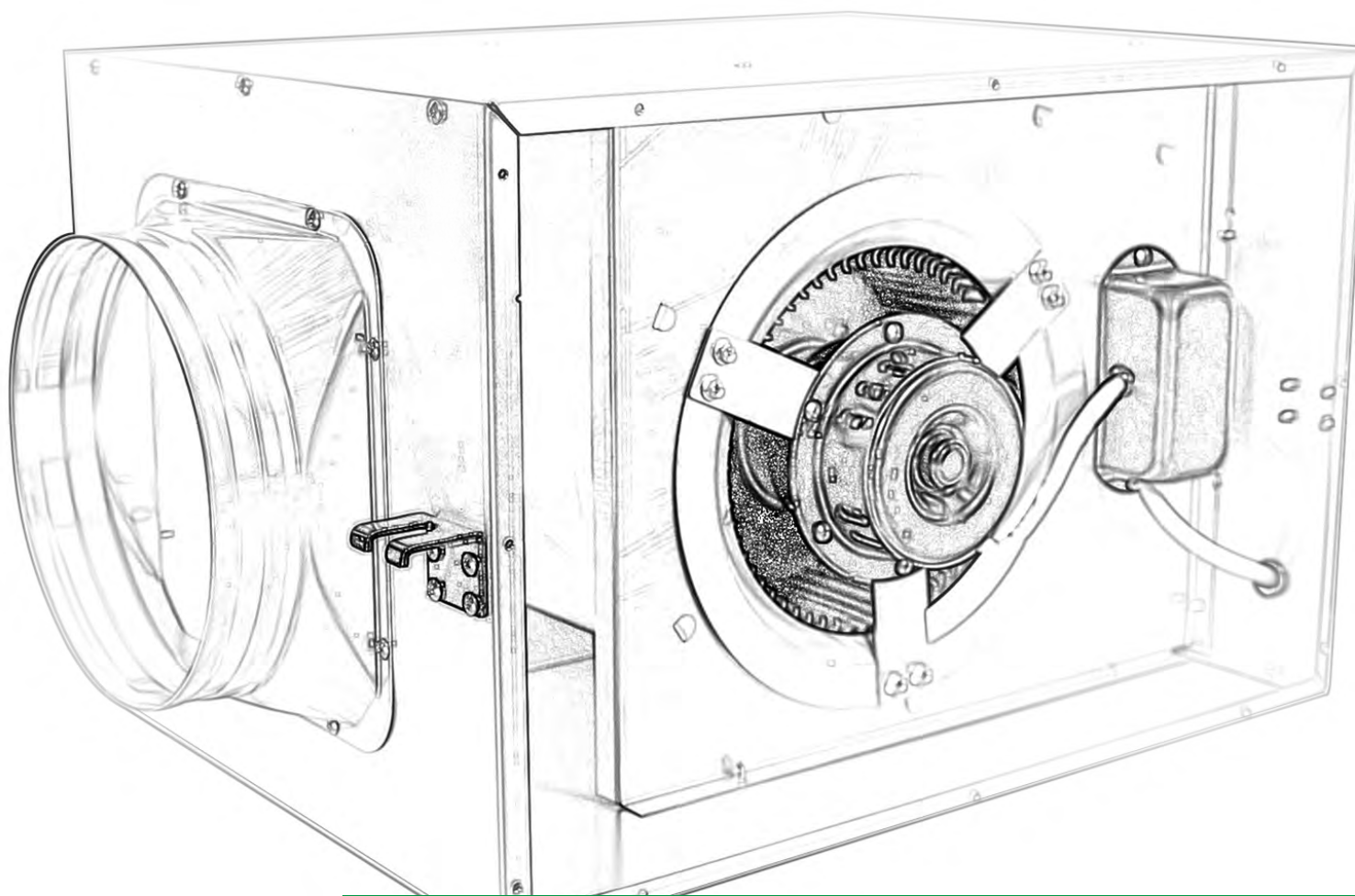


Leapin



Inline fan series **DPT**
PRODUCT CATALOGUE

AN INDUSTRY-LEADING FANS MANUFACTURER & VENTILATION
SYSTEM DESIGNER

GUANGDONG LEAPIN ENVIRONMENTAL TECHNOLOGY COMPANY..LTD

COMPANY PROFILE

MAIN PRODUCTS

- A** Environmental protection purification equipment
- B** Ventilation equipment
- C** Noise reduction equipment
- D** Ventilation valve



22+ Experience and technology accumulation

10+ More than mu of production base

1000+ The enterprise provides technical and service support

20+ Patent design

ABOUT US

Guangdong Green Goods Environmental Protection Technology Co., Ltd. is the industry's leading ventilation environmental protection equipment and intelligent ventilation. By virtue of the parent company's 22 years experience and technical product of Foshan Yuan Green Ventilation, it has provided technical and service support for thousands of enterprises across the country.

Since the introduction of lean production management concept, through the personnel structure, production organization, and organizational operation, and constantly increase research and development input, and at the same time the old work Art innovation, green technology into a new year. From production efficiency, product quality and production. The pursuit of excellence in multiple dimensions such as product performance, so that the production and R & D system can quickly adapt to the use of Household needs.

Focus

High quality

Innovation

In the future, we will continue to increase research and development input, provide more and more comprehensive environmental protection ventilation, Provide solid and reliable environmental ventilation solutions for various industries to create a global environmental protection net. The technology industry chain.

VISION

We are committed to bringing the truly perfect, environmentally friendly intelligent ventilation system to the country, providing diversified products, building a clean, green, sustainable, suitable for everyone's life environment, restore the natural breeze.

- A** We continue to invest in environmental protection technology, every detail is strictly controlled, never stop in quality;
- B** We from the R & D, production, transportation, installation of each link grinding, continued to upgrade to maintain the industry's top service
- C** We build outlets across the country, and strive to provide the most perfect solution to thousands of households, and access to the ultimate service experience;

IDEA

The business philosophy of "Quality and Virtue, Dedication and Loyalty, Lean Innovation, Cooperation and Win-win, Creating Green Products for One Hundred Years."

QUALIFICATION CERTIFICATION

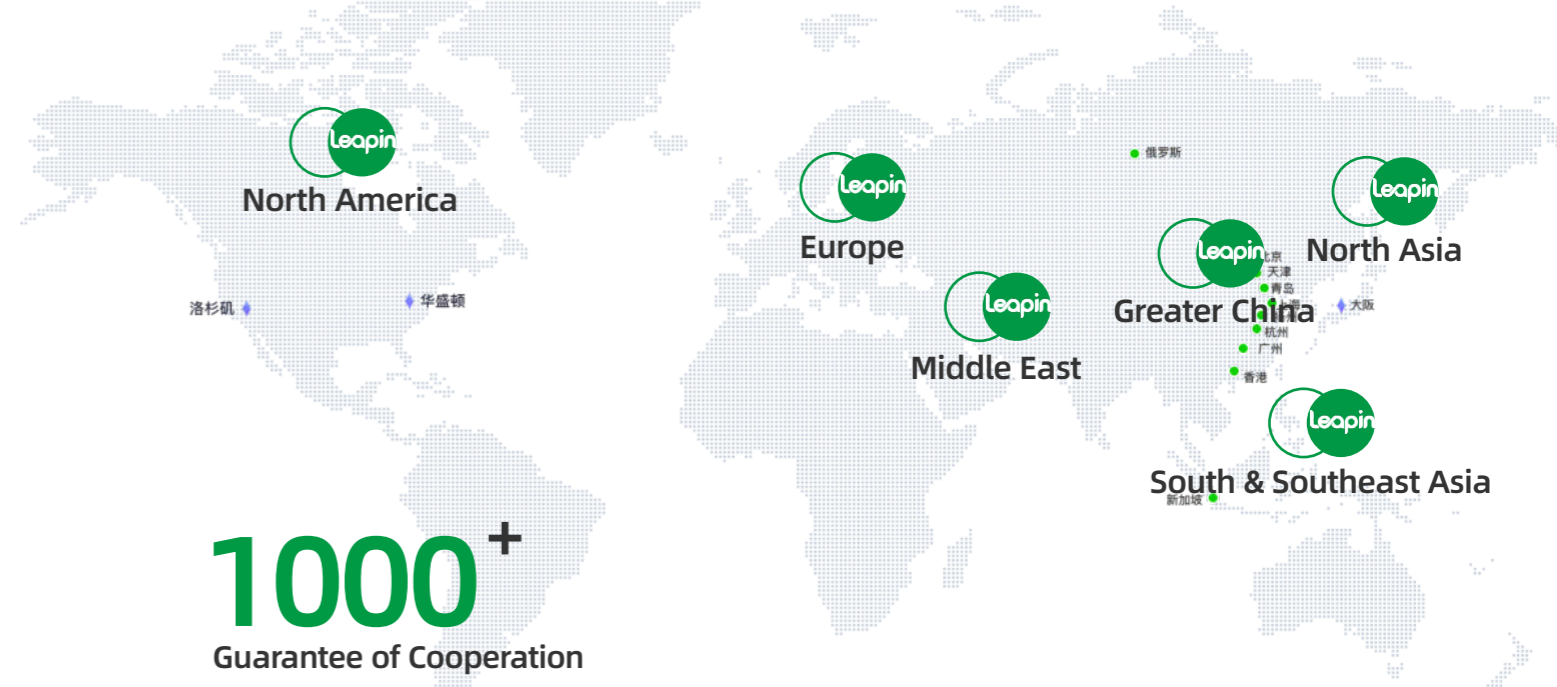


- A) High -tech certification enterprise
- B) China Environmental Protection Product Certification
- C) Guangdong Famous Brand Products
- D) Quality Management System Certification
- E) Keeping contract with a credit enterprise
- F) Products have been tested by various strict testing



GLOBAL SERVICE

Based in Foshan, radiate the world



1000⁺
Guarantee of Cooperation

10,000,000⁺
Amount of cooperation

We build networks across the country and strive to provide the most complete solutions.
Provide thousands of households, and get the ultimate service experience.





05 Inline fan series

CATALOGUE

- 01 Type Code
- 03 Product Summary
- 03 Product Advantages
- 04 DPT series duct-type silent fan
- 05 Product Characteristic
- 05 Dimensions of DPT Series Fans
- 06 Fan external dimensions diagram

Type Code

DPT 15 - A



Fan Type: A and B types differ in fan speed

Fan Model: Impeller diameter

DPT series duct-type silent fans

DPT

Inline fan series

Product Advantages:

1. Silent designed
2. Compact size
3. Easy maintenance



Product Summary:

DPT series duct-type silent fan adopts a dual-suction and direct-coupled motor structure design, which can maintain ventilation and air exchange in places while keeping low noise. The straight-through duct design, with a 180° air outlet direction, better meets the needs of long-distance air supply and ventilation.

The DPT series duct-type silent fan has 5 specifications: **15-A, 20-A, 20-B, 25-A, and 25-B**. The A and B models of the same specification differ in fan speed.

Airflow: **500-2000 m³/h**,
 Maximum static pressure: **150-300 Pa**.

It is suitable for ventilation and air exchange in environments with low noise requirements, such as homes, offices, meeting rooms, bathrooms, and entertainment venues.

Product Advantages:

- **Low Noise:** The operating noise of the fan is as low as 23 decibels.
 - a) Scientifically reasonable dual-suction duct design, symmetrical and smooth ducts, minimal body vibration, low noise.
 - b) Utilizing a forward-inclined impeller made of high-polymer materials, the long, narrow, and dense blades reduce the wind noise generated by impeller and air friction from the source.
 - c) High-quality motor, low-resistance silent bearings, smooth lubrication.
- **Compact Size:** The fan has a compact structure, and the overall design is lightweight and small, making it especially suitable for ceiling installations.
- **Durable and Aesthetic:** The entire unit is constructed with high-quality galvanized steel plate, coated with a layer of protective paint for an elegant and corrosion-resistant appearance.

DPT series duct-type silent fan:

- Forward-inclined double-suction impeller, direct-coupled motor drive, fan operating noise as low as 23 db.
- Corrosion-resistant outer casing, lightweight and compact design, small size, and easy installation.
- Suitable for indoor ventilation and air exchange environments with low noise requirements.
- **Specifications:** There are 5 specifications: **15-A, 20-A, 20-B, 25-A, and 25-B**. The A and B models of the same specification differ in fan speed.
- **Airflow:** 500-2000 m³/h.
- **Highest static pressure:** 150-300 Pa.

Type	Motor power	Power parameters	Air volume	Highest static pressure	Packaging dimensions	Outlet Dimensions/ Inlet Dimensions	Total weight
	(W)	(50Hz)	(m ³ /h)	(Pa)	L×W×H (mm)	(mm)	(kg)
DPT15-A	30W	220V	500	150	540*380*310	φ150	15
DPT20-A	55W	220V	800	180	635*410*370	φ200	22
DPT20-B	55W	220V	1000	200	635*410*370	φ200	22
DPT25-A	60W	220V	1500	280	760*480*410	φ250	38
DPT25-B	60W	220V	2000	300	760*480*410	φ250	38

Product Characteristic:

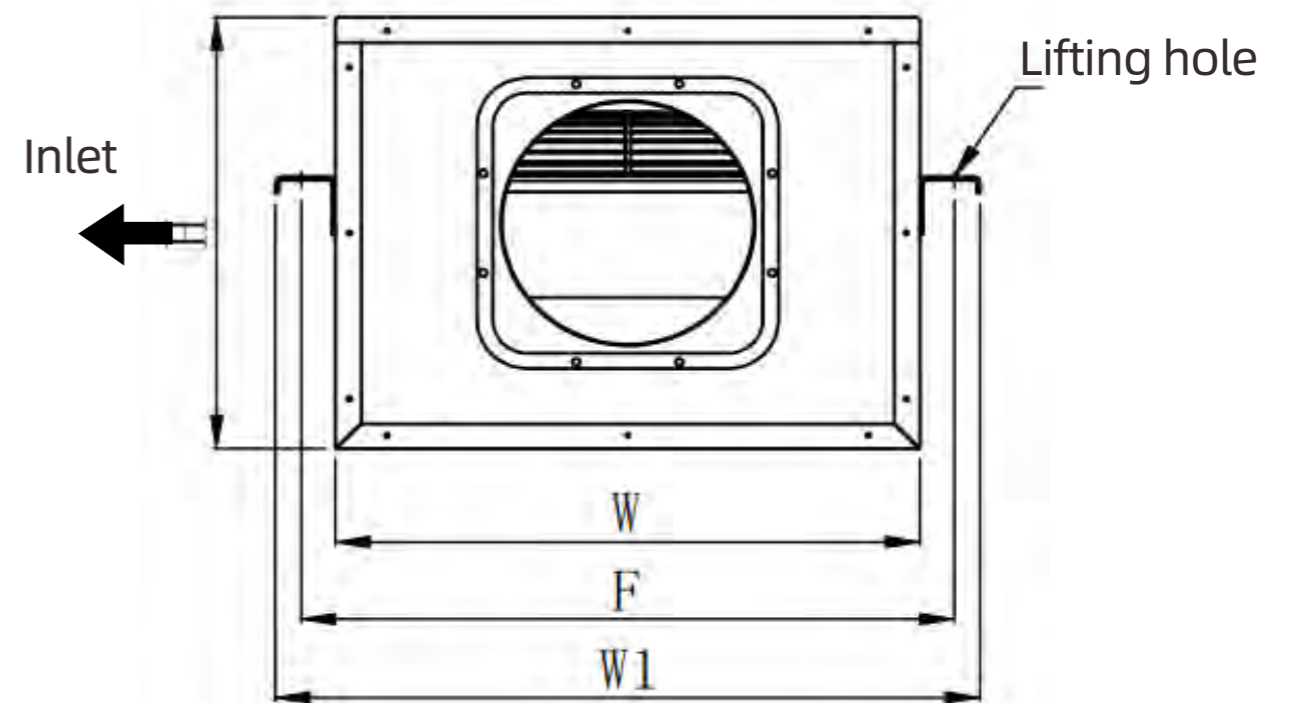
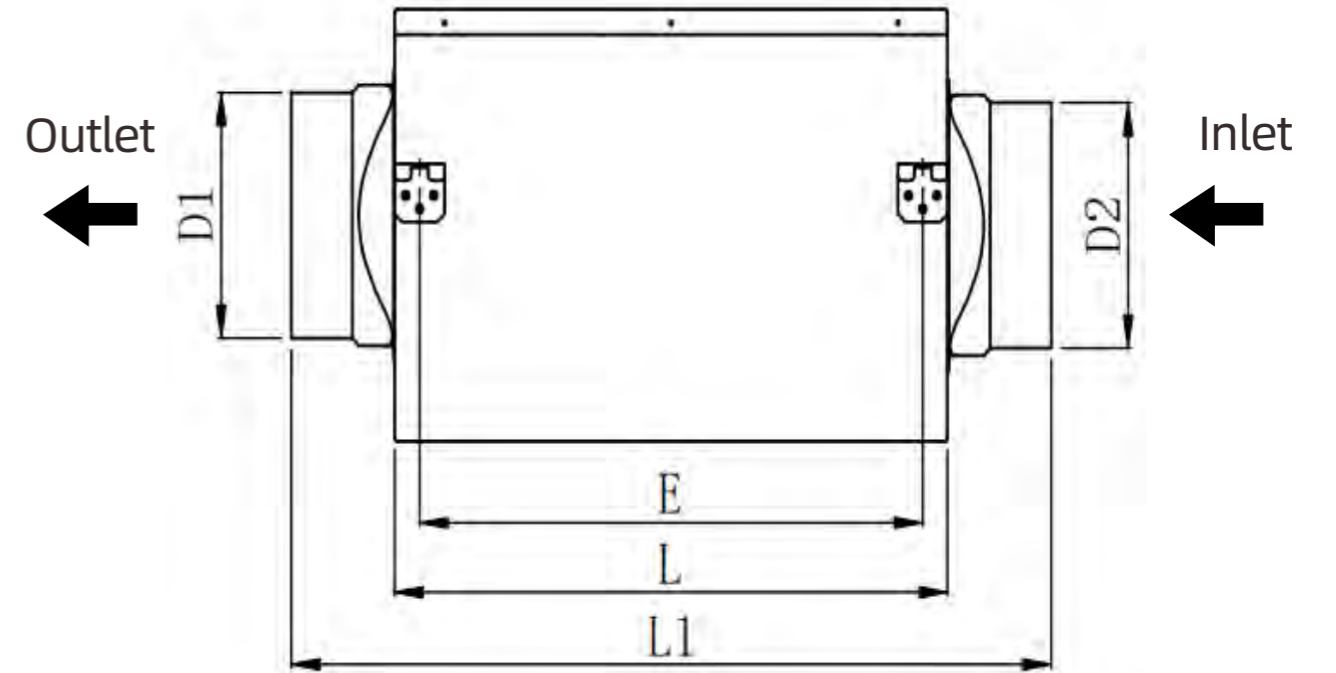
- Model: 15-A,20-A,20-B,25-A,25-B
- Airflow(m³/h): 500-2000
- Maximum static pressure(Pa): 150-300
- Impeller: Forward curved centrifugal impeller
- Transmission mode: Motor direct drive
- Overall material: Galvanized sheet



Dimensions of DPT Series Fans:

Type	Enclosure dimensions			Installation dimensions					Outlet dimensions	Inlet dimensions
	L	W	H	L1	W1	E	F	Lifting hole		
DPT15-A	390	340	260	536	420	355	380	4-φ13*25	148	148
DPT20-A	490	370	320	630	450	455	410	4-φ13*25	198	198
DPT20-B	490	370	320	630	450	455	410	4-φ13*25	198	198
DPT25-A	590	440	360	756	520	555	480	4-φ13*25	248	248
DPT25-B	590	440	360	756	520	555	480	4-φ13*25	248	248

Fan external dimensions diagram





WhatsApp



Wechat

CONTACT US

Tel : +86 18316499216

Alibaba: gdlvpin.en.alibaba.com

Email : willxie@leapintech.com

Company Address : No. 5 Chuangye Road, The third industrial district, Xiabai, Luocun, Shishan town, Foshan, China