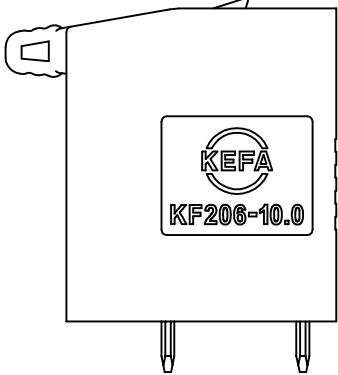
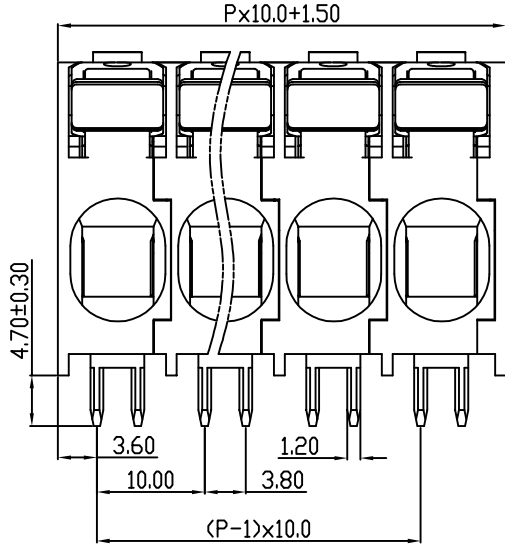
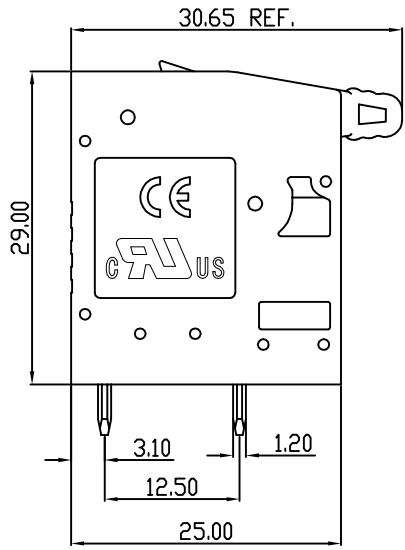
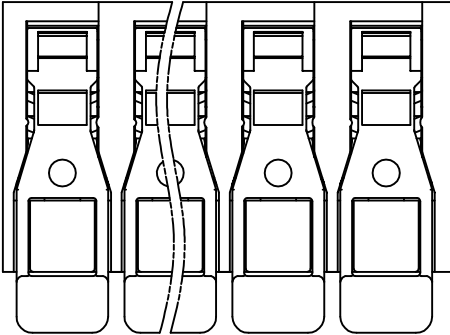
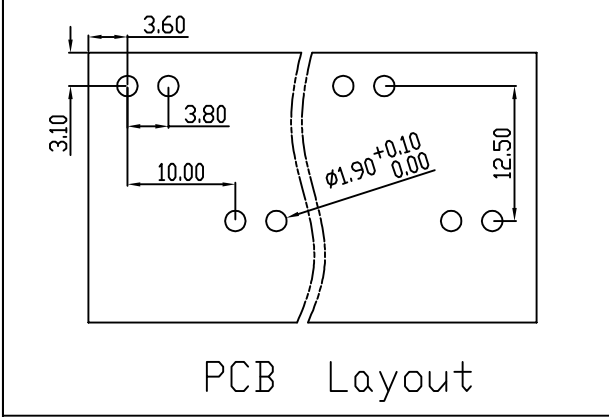


linear dimension(Tolerances Standard GB/T 14486-2008)								—		
variable range	to	over	over	over	over	over	over	to	over	over
	6	6 to 10	10 to 30	30 to 60	60 to 100	100 to 160	160 to			
tolerance	±0.20	±0.30	±0.50	±0.70	±1.00	±1.30	±1.60	0.10	0.30	0.60

REVISION RECORD				
REV.	DESCRIPTION	ECN No.	APPROVED	DATE
A	新发行		CLF	24.08.24



UL/CUL 技术参数				
UL/CUL Technical Data				
等级	Use Group	B	C	D
额定电压	Rated Voltage [V]	600	-	-
额定电流	Rated Current [A]	51	-	-
接线范围	Wire Range	18-4		
单/多芯线	Solid/Stranded [AWG]			
耐电压	Withstanding Voltage	2200V/1Min		
IEC 技术参数				
IEC Technical Data				
过电压类别	Overvoltage Category	III	III	II
污染等级	Contamination Class	3	2	2
额定电压	Rated Voltage [V]	1000	1000	1000
额定电流	Rated Current [A]	67	67	67
额定冲击电压	Impulse withstand voltage ^a [KV]	4	4	4
导线截面积	Conductor cross section	16.0		
硬质/柔性导线	Solid/flexible [mm ²]			
材料				
绝缘材料	Insulation Material	PA66		
阻燃等级	Imflamability	UL94V-0		
导体材料	Contactive Material	铜合金 Copper alloy		
导体表面镀层	Contactive Coating	镀锡 Tin Plated		
一般参数				
间距	Pitch [mm]	10.0		
极数	Poles [P]	01-24		
剥线长度	Stripping Length [mm]	18		
螺丝	Screw/扭矩 Torque(Max) [N.m]	-		
工作温度	Operating temperatur [°C]	-40~+105		
引针尺寸	Pin Dimensions [mm]	4.70		
PCB板孔径	PCB Hole Diameter [mm]	1.9		

DES.	SJD	DATE	24.08.24
CHK.	BY	DATE	24.08.24
APP.	CLF	DATE	24.08.24

单位/UNITS mm 尺寸/SIZE A4 比例/SCALE 1:1

第三视角/THIRD ANGLE PROJECTION

名称/TITLE

KEFA[®] 慈溪市科发电子有限公司
CIXI KEFA ELECTRONICS CO., LTD

版本/REV	A
名称/TITLE	KF206A-10.0