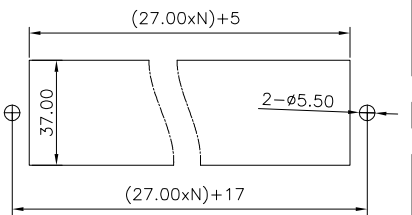
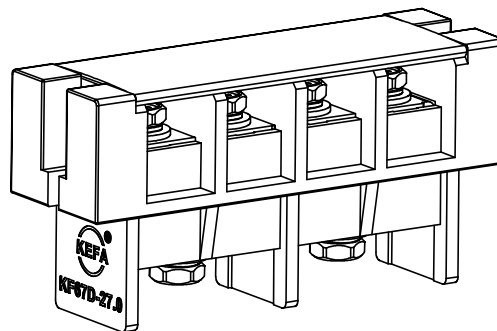
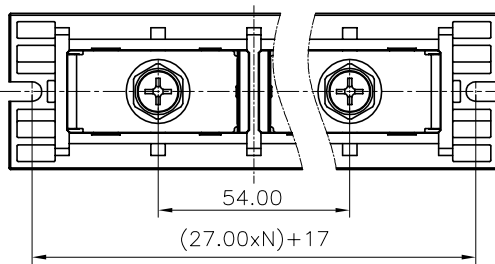
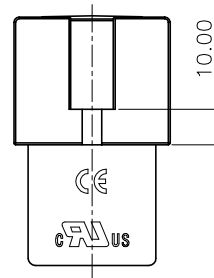
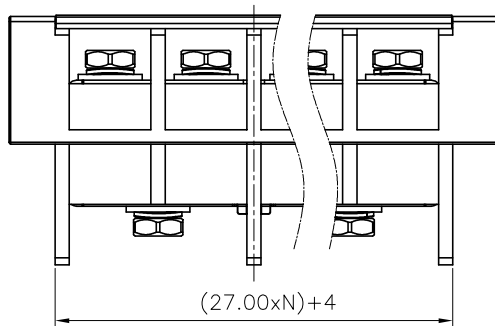
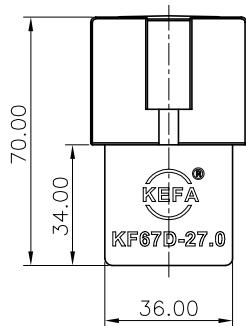
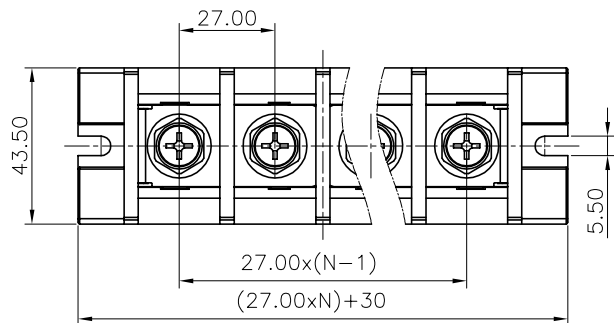


| linear dimension(Tolerances Standard GB/T 14486-2008) | | | | | | | | — | ∇ | \perp |
|---|------------|--------------|---------------|---------------|----------------|-----------------|-------------|-------|----------------|-------------|
| variable range | to 6 | over 6 to 10 | over 10 to 30 | over 30 to 60 | over 60 to 100 | over 100 to 160 | over 160 to | to 10 | over 10 to 100 | over 100 to |
| tolerance | ± 0.20 | ± 0.30 | ± 0.50 | ± 0.70 | ± 1.00 | ± 1.30 | ± 1.60 | 0.10 | 0.30 | 0.60 |



Panel Cut out



| REVISION RECORD | | | | |
|-----------------|-------------|---------|----------|------|
| REV. | DESCRIPTION | ECN No. | APPROVED | DATE |
| | | | | |

UL/CUL 技术参数
UL/CUL Technical Data

| 等级 | Use Group | B | C | D |
|-------|----------------------|-----------------|-----|-----|
| 额定电压 | Rated Voltage [V] | 600 | 600 | 600 |
| 额定电流 | Rated Current [A] | 200 | 200 | 5 |
| 接线范围 | Wire Range | 2-3/0 | | |
| 单/多芯线 | Solid/Stranded [AWG] | 2-3/0 | | |
| 耐电压 | Withstanding Voltage | AC 2.2KV/ 1 min | | |

IEC 技术参数
IEC Technical Data

| 过电压类别 | Overtoltage Category | III | III | II |
|--------|---|------|------|------|
| 污染等级 | Contamination Class | 3 | 2 | 2 |
| 额定电压 | Rated Voltage [V] | 1500 | 1500 | 1500 |
| 额定电流 | Rated Current [A] | 232 | 232 | 232 |
| 额定冲击电压 | Impulse withstand voltage ^a [KV] | 8 | 8 | 8 |

| | | |
|---------|------------------------------------|-------|
| 导线截面积 | Conductor cross section | 35-95 |
| 硬质/柔性导线 | Solid/ flexible [mm ²] | |

| 材料 | Material | |
|--------|---------------------|-------------------|
| 绝缘材料 | Insulation Material | PBT |
| 阻燃等级 | Imflammability | UL94V-0 |
| 导体材料 | Contactior Material | 铜合金 Copper alloy |
| 导体表面镀层 | Contactive Coating | 镀镍 Nickel plating |

| 一般参数 | Other Data | |
|--------|----------------------------|----------------|
| 间距 | Pitch [mm] | 27.0 |
| 极数 | Poles [P] | 2P/4P |
| 剥线长度 | Stripping Length [mm] | 12-13 |
| 螺丝 | Screw/扭矩 Torque(Max) [N.m] | M8/6.0 |
| 工作温度 | Operating temperatur [°C] | -30°C ~ +120°C |
| 引针尺寸 | Pin Dimensions [mm] | / |
| PCB板孔径 | PCB Hole Diameter [mm] | / |

| | | | | | | | | | | | | |
|------|-----|------|--------------|---|----|-----------|----|---|--------------------|-------------------------------|--------------------|---|
| DES. | CHK | DATE | 2024. 10. 28 | 单位 / UNITS | mm | 尺寸 / SIZE | A4 | 比例 / SCALE | 1:1 | 第三视角 / THIRD ANGLE PROJECTION | 版本 / REV | A |
| CHK. | CLF | DATE | 2024. 10. 28 |  慈溪市科发电子有限公司 CIXI KEFA ELECTRONICS CO., LTD | | | |  | | 名称 / TITLE | KF67DS-27.0-XXP 黑色 | |
| APP. | HDK | DATE | 2024. 10. 28 | | | | | 名称 / TITLE | KF67DS-27.0-XXP 黑色 | | | |