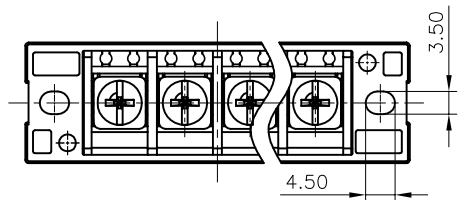
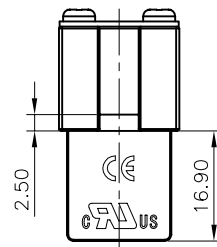
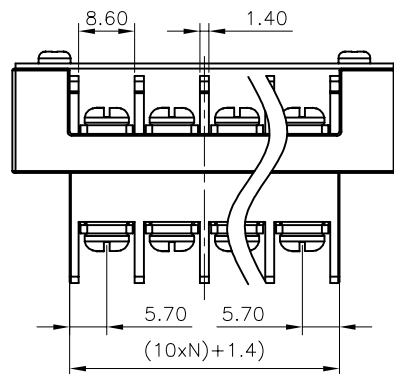
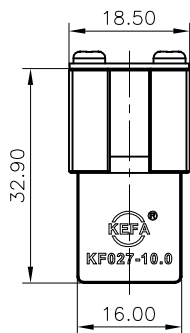
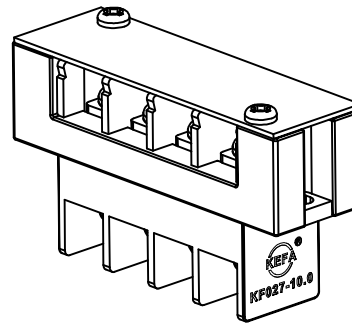
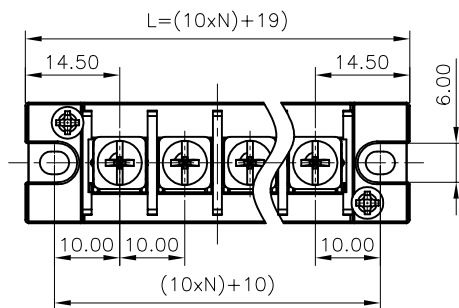
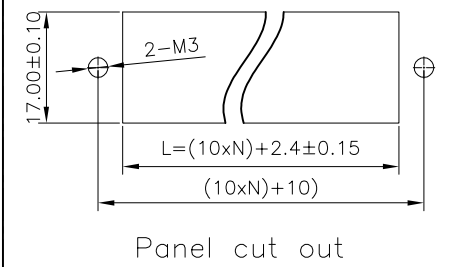


linear dimension(Tolerances Standard GB/T 14486-2008)										
variable range	to 6	over 6 to 10	over 10 to 30	over 30 to 60	over 60 to 100	over 100 to 160	over 160 to	to 10	over 10 to 100	over 100 to
tolerance	±0.20	±0.30	±0.50	±0.70	±1.00	±1.30	±1.60	0.10	0.30	0.60



REVISION RECORD				
REV.	DESCRIPTION	ECN No.	APPROVED	DATE

UL/CUL 技术参数 UL/CUL Technical Data				
等级	Use Group	B	C	D
额定电压	Rated Voltage [V]	300	/	/
额定电流	Rated Current [A]	20	/	/
接线范围	Wire Range	20-12		
单/多芯线	Solid/Stranded [AWG]	20-12		
耐电压	Withstanding Voltage	1.6KV/ 1 min		

IEC 技术参数 IEC Technical Data	
额定电压	Rated Voltage [V] 450
额定电流	Rated Current [A] 32
耐电压	Withstanding Voltage 2.5KV/ 1 min
导线截面积	Conductor cross section
硬质/柔性导线	Solid/ flexible [mm <sup>2</sup> ] 4.0
材料 Material	
绝缘材料	Insulation Material PBT
阻燃等级	Imflammability UL94V-0
导体材料	Contacting Material 铜合金 Copper alloy
导体表面镀层	Contactive Coating 镀锡 Tin Plated

一般参数 Other Data	
间距	Pitch [mm] 10.0
极数	Poles [P] 2~24P
剥线长度	Stripping Length [mm] 8~9
螺丝	Screw/扭矩 Torque(Max) [N.m] M4/1.2
工作温度	Operating temperatur [°C] -30°C~ +120°C
引针尺寸	Pin Dimensions [mm] /
PCB板孔径	PCB Hole Diameter [mm] /

DES.	CHK	DATE	2024. 09. 25
CHK.	CLF	DATE	2024. 09. 25
APP.	HDK	DATE	2024. 09. 25

单位 / UNITS	mm	尺寸 / SIZE	A4	比例 / SCALE	1:1
慈溪市科发电子有限公司 CIXI KEFA ELECTRONICS CO.,LTD					

第三视角/THIRD ANGLE PROJECTION		版本 / REV	A
名称 / TITLE	KF027SS-10.0-XXP 黑色		