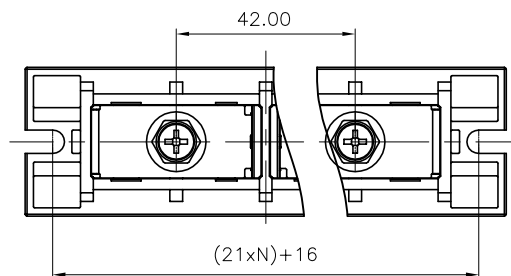
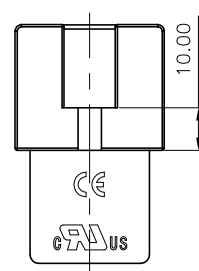
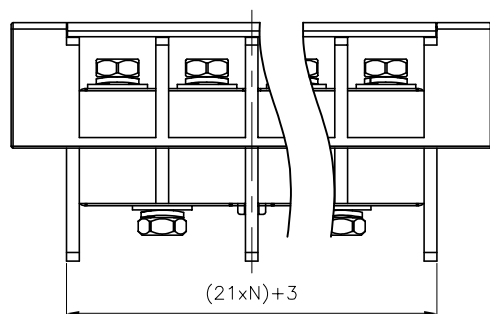
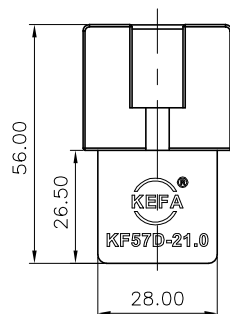
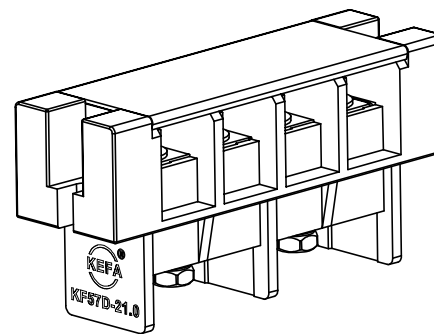
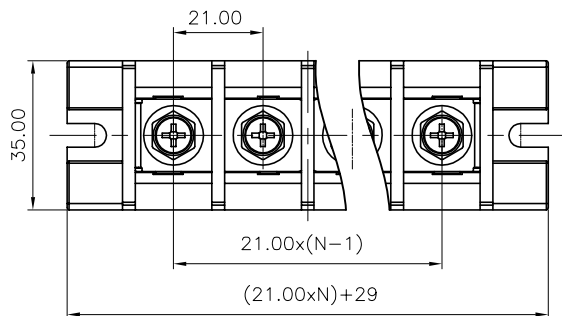
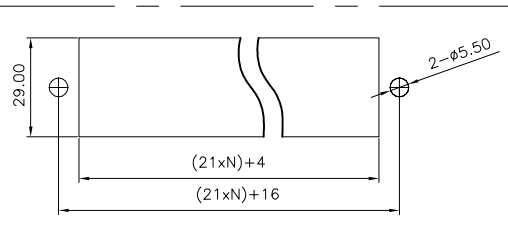


linear dimension(Tolerances Standard GB/T 14486-2008)								—	∇	\perp
variable range	to 6	over 6 to 10	over 10 to 30	over 30 to 60	over 60 to 100	over 100 to 160	over 160 to	to 10	over 10 to 100	over 100 to
tolerance	±0.20	±0.30	±0.50	±0.70	±1.00	±1.30	±1.60	0.10	0.30	0.60



Panel Cut out



REVISION RECORD				
REV.	DESCRIPTION	ECN No.	APPROVED	DATE

UL/CUL 技术 参数

UL/CUL Technical Data

等级	Use Group	B	C	D
额定电压	Rated Voltage [V]	600	600	600
额定电流	Rated Current [A]	115	115	5
接线范围	Wire Range	10-2		
单/多芯线	Solid/Stranded [AWG]	10-2		
耐电压	Withstanding Voltage	AC 2.2KV/ 1 min		

IEC 技术参数

IEC Technical Data

过电压类别	Overvoltage Category	III	III	II
污染等级	Contamination Class	3	2	2
额定电压	Rated Voltage [V]	1000	1000	1000
额定电流	Rated Current [A]	125	125	125
额定冲击电压	Impulse withstand voltagea [KV]	8	8	6
导线截面积	Conductor cross section	6.0-35		
硬质/柔性导线	Solid/ flexible [mm ²]	6.0-35		

材料 Material

绝缘材料	Insulation Material	PBT
阻燃等级	Imflamability	UL94V-0
导体材料	Contactior Material	铜合金 Copper alloy
导体表面镀层	Contactive Coating	镀镍 Nickel plating

一般参数 Other Data

间距	Pitch [mm]	21.0
极数	Poles [P]	2P/4P
剥线长度	Stripping Length [mm]	12-13
螺丝	Screw/扭矩 Torque(Max) [N.m]	M6/5.0
工作温度	Operating temperatur [°C]	-30°C~ +120°C
引针尺寸	Pin Dimensions [mm]	/
PCB板孔径	PCB Hole Diameter [mm]	/

DES.	CHK	DATE	2024. 07. 29	单位 / UNITS	mm	尺寸 / SIZE	A4	比例 / SCALE	1:1	第三视角 / THIRD ANGLE PROJECTION	版本 / REV	A
CHK.	CLF	DATE	2024. 07. 29	 慈溪市科发电子有限公司 CIXI KEFA ELECTRONICS CO., LTD				名称 / TITLE	KF57DS-21.0-XXP 黑色			
APP.	HDK	DATE	2024. 07. 29									