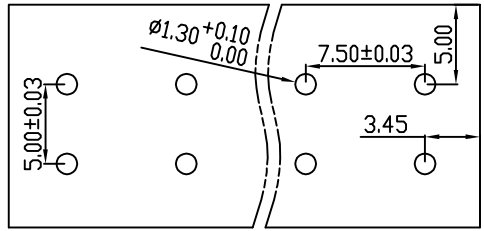
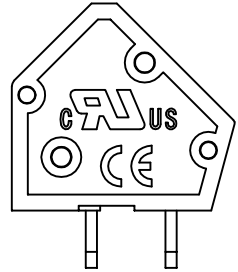
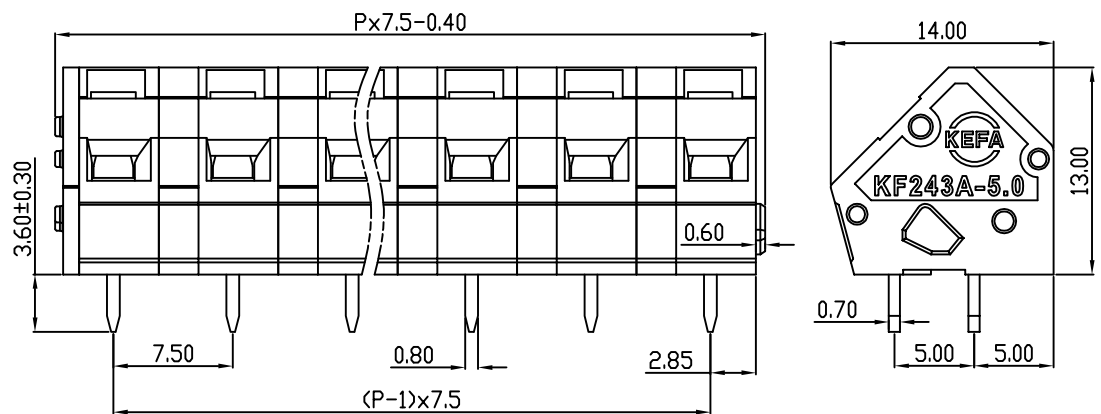
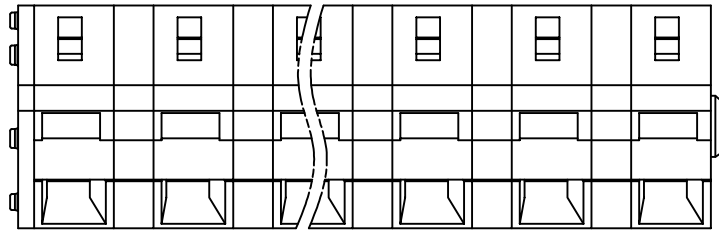


linear dimension(Tolerances Standard GB/T 14486-2008)								—		
variable range	to 6	over 6 to 10	over 10 to 30	over 30 to 60	over 60 to 100	over 100 to 160	over 160 to	to 10	over 10 to 100	over 100 to
tolerance	±0.20	±0.30	±0.50	±0.70	±1.00	±1.30	±1.60	0.10	0.30	0.60



PCB Layout



REVISION RECORD				
REV.	DESCRIPTION	ECN No.	APPROVED	DATE
A	新发行		CLF	21.10.28

UL/CUL 技术参数 UL/CUL Technical Data			
等级	Use Group	B	C D
额定电压	Rated Voltage [V]	300	- 300
额定电流	Rated Current [A]	15	- 10
接线范围	Wire Range	28-12	
单/多芯线	Solid/Stranded [AWG]		
耐电压	Withstanding Voltage	1600V/1Min	
IEC 技术参数 IEC Technical Data			
过电压类别	Overvoltage Category	III	III II
污染等级	Contamination Class	3	2 2
额定电压	Rated Voltage [V]	400	630 1000
额定电流	Rated Current [A]	17	17 17
额定冲击电压	Impulse withstand voltagea [KV]	6.0	6.0 6.0
导线截面积	Conductor cross section	2.5	
硬质/柔性导线	Solid/flexible [mm ²]		
材料 Material			
绝缘材料	Insulation Material	PA66	
阻燃等级	Imflamability	UL94V-0	
导体材料	Contactur Material	铜合金 Copper alloy	
导体表面镀层	Contactive Coating	镀锡 Tin Plated	
一般参数 Other Data			
间距	Pitch [mm]	7.5	
极数	Poles [P]	02~XX	
剥线长度	Stripping Length [mm]	5-6	
螺丝	Screw/扭矩 Torque(Max) [N.m]	-	
工作温度	Operating temperatur [°C]	-40~+105	
引针尺寸	Pin Dimensions [mm]	3.6	
PCB板孔径	PCB Hole Diameter [mm]	1.3	

DES.	SJD	DATE	21.10.28
CHK.	BY	DATE	21.10.28
APP.	CLF	DATE	21.10.28

单位/UNITS mm 尺寸/SIZE A4 比例/SCALE 1:1
 慈溪市科发电子有限公司
 CIXI KEFA ELECTRONIC CO., LTD

第三视角/THIRD ANGLE PROJECTION		版本/REV	A
		名称/TITLE	KF243A-7.5