

ACS2.0-4C015W-24PS

Machine vision light controller operating instructions

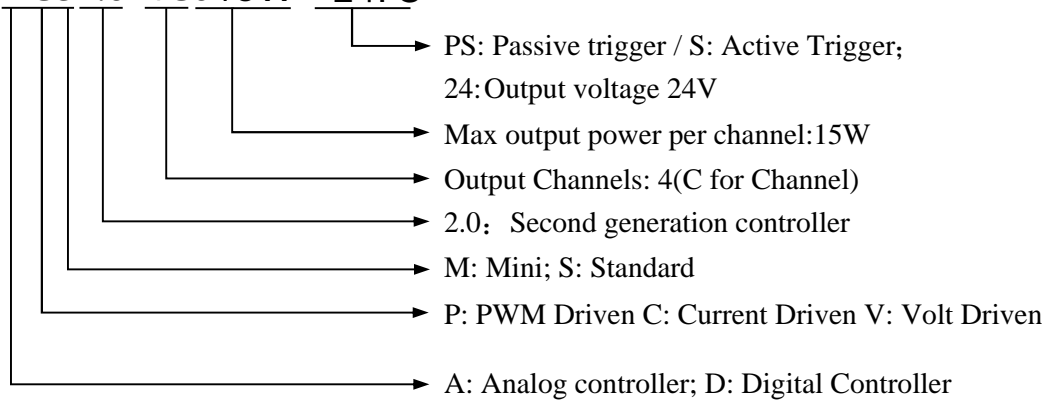
Version: V1.1

Content

1、 Controller Classification and Naming.....	1
2、 Specifications.....	2
3、 Instructions and Operations.....	3
4、 Dimensions.....	5
Accessory List.....	6

1、 Controller Classification and Naming

ACS2.0-4C015W - 24PS



Standard Controller : Supply voltage is AC100~220V

MiniController : Supply voltage is DC24V

Passive trigger: Transmit state signal to the controller channels to trigger and control it from outside.

Active Trigger: Externally trigger the channel switch to ON / OFF (open circuit or short circuit triggers the channel pins).

2、Specifications

Features	Values	Description
Control Mode	constant current	-
Input Voltage	24VDC	-
Channels	4	-
Adjustable Brightness Level	electrodeless	Adjust by potentiometer
Single channel output power	15W	-
External triggering mode	Passive triggering	Effective trigger voltage range: 5-24VDC
External trigger delay time	H, ON→OFF<15us	H:High level trigger; ON and OFF represent the on and off state of LED light
	H, OFF→ON<15us	
External trigger frequency	<1/T	Determined by the strobe time, such as T=1ms, the external trigger frequency rate is at most 1KHz
Working condition	Temperature: -10~50℃	-
	Humidity: 20~80%	
Storage environment	Temperature: -20~70℃	-
	Humidity: 10~90%	
Stand-by power consumption	<3W	-
Dimension(mm)	135×85×158mm	L×W×H
weight	0.9Kg	-

3、 Main Functions

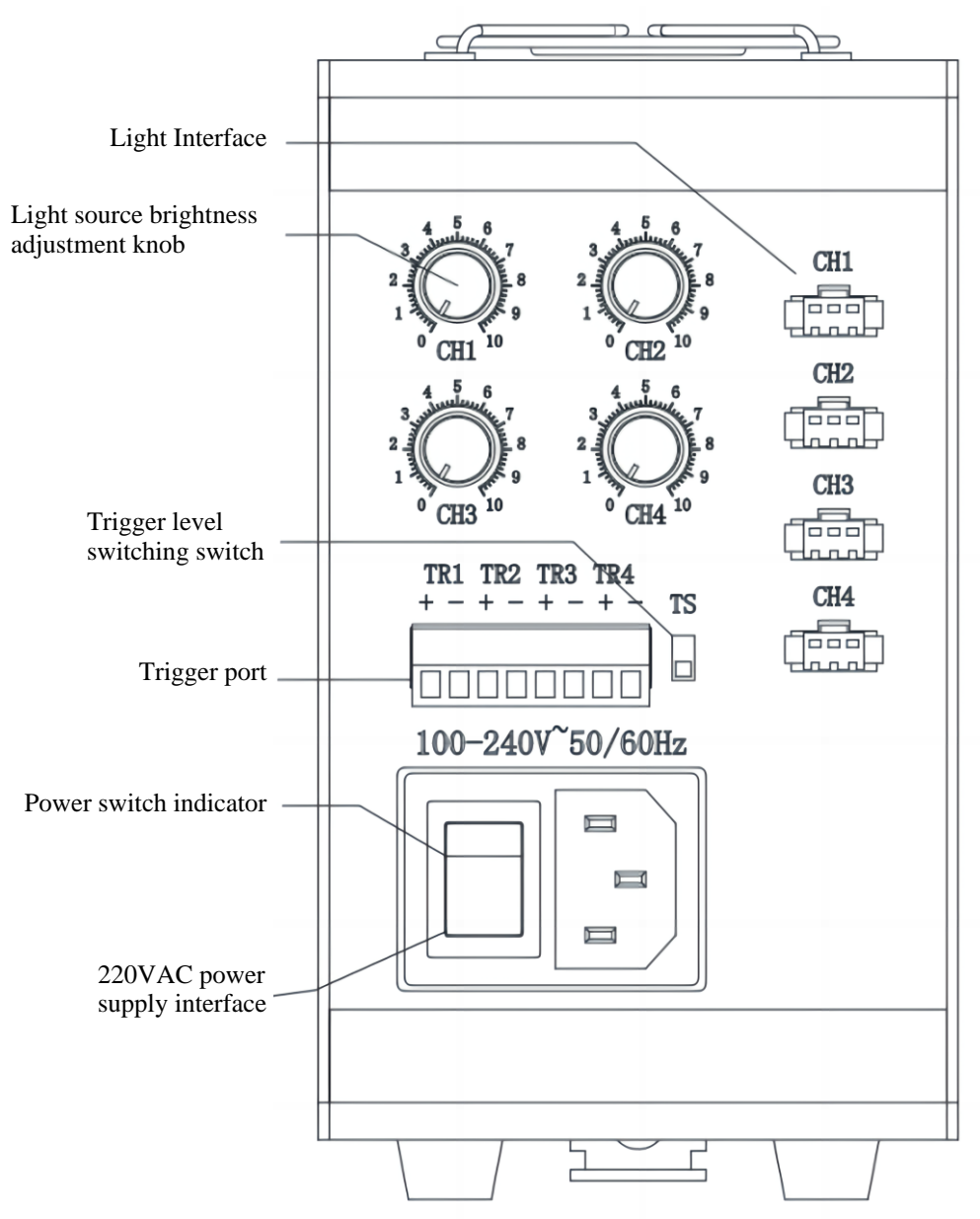


Figure 1 Front panel of the controller

When the controller is connected to the power supply (100-220VAC), turn on the power switch. Under normal working conditions, the power switch indicator light is always on. If the indicator does not light up, please check whether the plug of the input power cord is plugged in or contact our technical staff.

- CH1: Channel 1 output interface.
- CH2: Channel 2 output interface.
- CH3: Channel 3 output interface.
- CH4: Channel 4 output interface.

➤ TS: Trigger the mode switch. TS switch to the left, light source in constant mode; The TS switch is set to the right, and the light source is in trigger mode (off state). When a high level external trigger signal is given, the light source lights up. (The brightness adjustment knob must be set enough to light the light source).

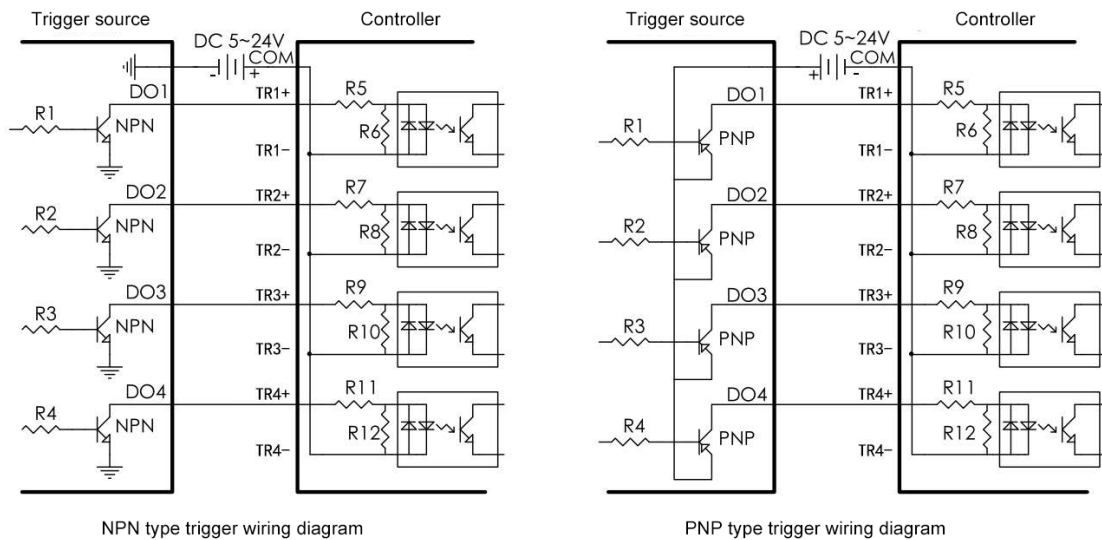
➤ TR1+, TR2+, TR3+, TR4+: CH1, CH2, CH3 and CH4 trigger signal line interfaces respectively.

➤ TR1-, TR2-, TR3- and TR4-: internal connection, common terminal of trigger signal line.

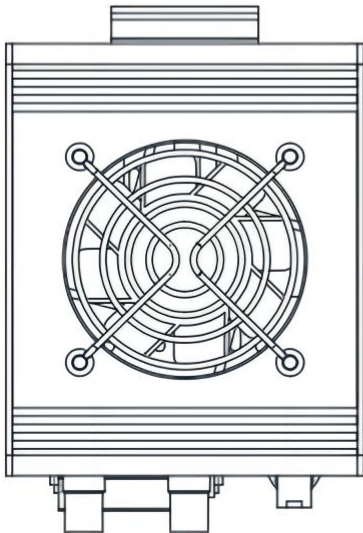
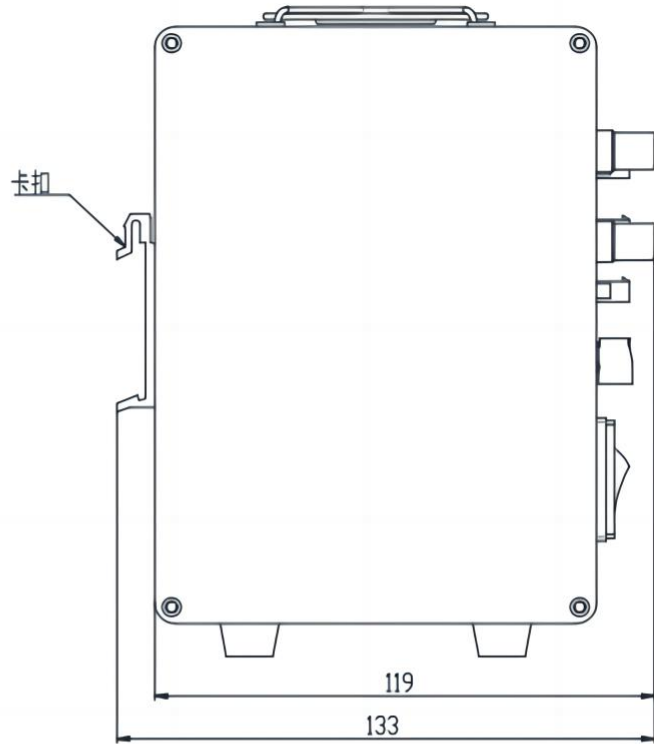
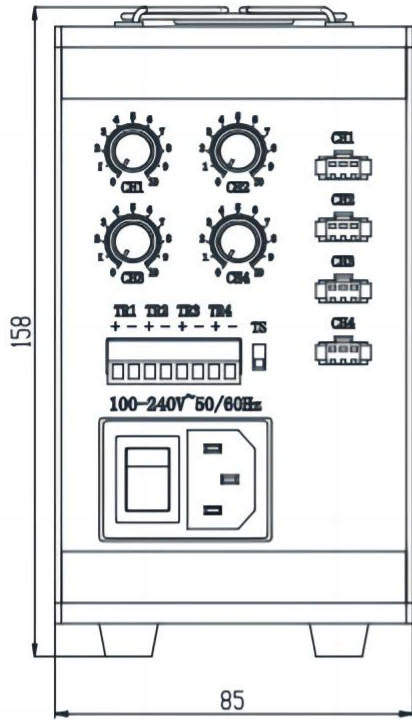
The polarity of the common end is different, and the wiring method is different.

The wiring diagram is as follows:

Internal wiring diagram of trigger interface:



4、Dimensions



Accessory List

Name	Quantity	Remark
ACS2.0-4C015W-24PS controller	1	
220V/10A power cable	1	
8PINGreen male terminal	1	