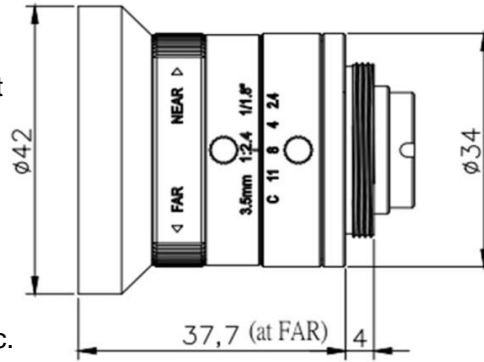


- ◆ Type: 1/1.8" C-mount f=3.5mm
- ◆ Multi-layer coating effectively suppresses stray light
- ◆ Resolution: 2MP
- ◆ Lightweight, optional filter interface M40.5
- ◆ Broad spectrum 400-1000nm, high transmittance
- ◆ Suitable for industrial inspection, machine vision, etc.



Wideangle lens 3.5mm low distortion FA lens C Mount		
Model	FA2M3.5B	
Image Size	1/1.8-inch	
Focal length	3.5mm	
F No.	F2.4-C	
M.O.D(m)	0.1-Inf.	
Operation	Iris	Manual
	Focus	Manual
Angle of View (DxHxV)	1/1.8"	104.5°x94.3°x78.0°
	1/2"	99.6°x87.9°x71.1°
	1/3"	84.2°x71.1°x55.6°
Distortion	-1.23%	
BFL	8.57mm	
Mount	C-Mount	
Object Dimension	1/1.8"	350.5mmx261.3mm(WD=150mm)
	1/2"	312mmx230.5mm(WD=150mm)
	1/3"	230.5mmx170mm(WD=150mm)
Dimension	Φ42x37.7mm	
Weight	130g	
Horizontal Resolution	100lp/mm	
Filter Thread	M40.5*0.5	
Working Temperature	-20°C ~ +70°C	