

FEATURES

- Supports simultaneous shootings by external triggered flash.
- The camera comes with programmable IO.
- Supports Linux and ARM Linux operating systems, can be integrated into embedded devices.
- Supports 16bit grayscale and 48bit color-lossless format output.
- Multi-camera operation is very stable, no disconnection or frame loss occurs during the operation.
- Fully compatible with GigE camera's SDK for seamless replacement.
- Compatible with Vision protocol, seamlessly compatible with vision software such as Halcon, VisionPro, Labview.

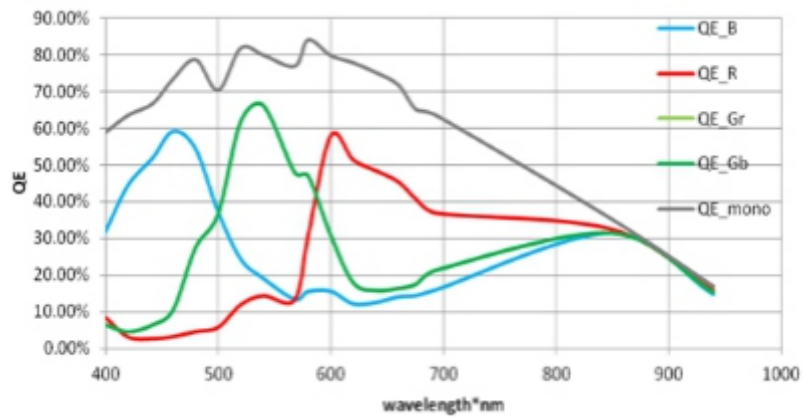


SPECIFICATIONS

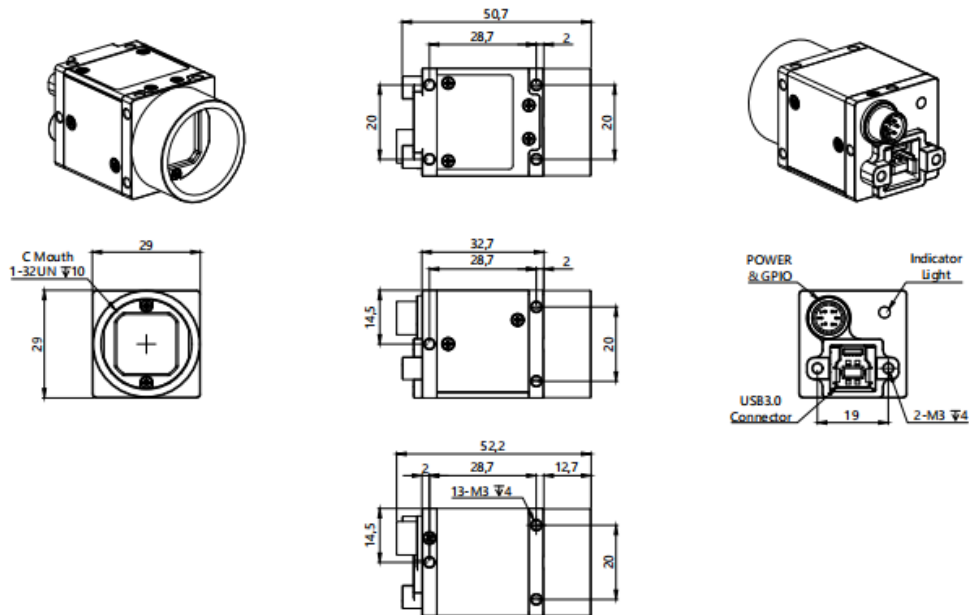
Parameter	Model	MV-AU134GC	MV-AU134GM
Sensor		1/2" CMOS	
Shutter		Global	
Color/Mono		Color	Mono
Pixel Size		4.8X4.8 μm	
Resolution		1.3MP	
Frame rate		1280X1024@211FPS	
Pixel bit depth		8bit	
Sensitivity		7.3 V/lux-s 540nm	
GPIO		1 trigger input, one flash control output; 1 GPO output	
Synchronization		Continuous/software trigger/hardware trigger	
Maximum gain		16.5	
Exposure time(ms)		0.0045~584	
Filter		650nm infrared cut-off filter is standard	Standard double-sided AR anti-reflection film
Frame buffer		128M Bytes	
Camera custom data		2K Bytes	
Video output format		Bayer8/Bayer10	Mono8/Mono10
visual standard protocol		USB3Vision 1.0、GenICam	
Lens mount		C	
Data interface		USB3.0 TYPE B	
Power supply		5V, USB Bus power supply	
Power		<3W	
Dimensions		29 (mm) X29 (mm) X32.7 (mm) (Excluding the lens base and rear case interface)	
Weight		<75g	
Working temperature		0~50°	
Storage temperature		-30~60°	
Operating system		WINXP, WIN7/8/10 32-bit & 64-bit systems, Linux and ARM Linux drivers, Android platform drivers, MAC OS systems	
Drivers		Directshow component Halcon Dedicated Component Labview Dedicated Driver OCX Component TWIN component	
Programming language package		C/C++/C#/VB6/VB.NET/Delphi/BCB/Python/Java	
Other functions		Support arbitrary size ROI custom resolution, contrast and gamma adjustment, saturation adjustment, white balance correction, black level correction, custom dead point coordinate correction, ISP image processing acceleration, 3D noise reduction, custom LUT table, frame rate adjustment, custom camera name, etc	

SPECTROGRAMS

MV-AU134GC/M



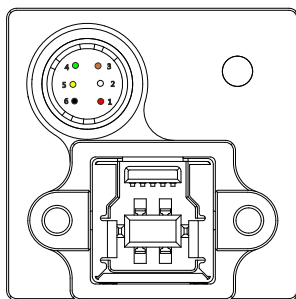
DIMENSIONS(Unit: mm)



SUA / SUF camera tail selection table

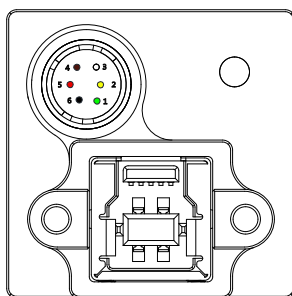
Function Suffix	Defindigram of aviation head linesequene	12VPoE	Srapnel aviation head interface	Lens interface C-mount	Lens interface CS-mount	State
-T1V-C	1	●	●	●		recommend
-T	2		●		●	Plan to stop production
-T-C	2		●	●		Plan to stop production
-TV-C	3	●	●	●		Plan to stop production

Line sequence definition 1



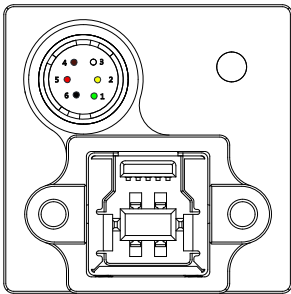
Port	Pin	Line Color	Signal Name	Signal Description	Remark
Port A	1	red	PWR12V	Camera power input positive end	
	2	white	GPI1+/TRIG_IN+	GPI1 Positive end/Trigger input positive end	The default is trigger input
	3	brown	GPI2/GPO2	GPIO2 Input/output	Non-isolated bidirectional IO
	4	green	GPO1+/STRB_OUT+	GPO1 Positive end/Flash output positive end	The default output is flash
	5	yellow	GPO1-/STRB_OUT-/TRIG_IN-	GPO1Negative end/Flash output negative end/Trigger input negative end	GPIO Common negative end
	6	black	PWRGND	Camera power input negative end	

Line sequence definition 2



Pin	Line Color	Signal Name	Signal Description	Remark
1	green	GPO1+/STRB_OUT+	GPO1Positive end/Flash output positive end	The default output is flash
2	yellow	GPO1-/STRB_OUT-	GPO1Negative end/Flash output negative end	The default output is flash
3	white	GPI1+/TRIG_IN+	GPI1Positive end/Trigger Input positive end	The default is trigger input
4	brown	GPI1-/TRIG_IN-	GPI1Negative end/Trigger input negative end	The default is trigger input
5	red	GPO2+	GPO2Positive end output	
6	black	GPO2-	GPO2Negative end output	

Line sequence definition 3



Port	Pin	Line Color	Signal Name	Signal Description	Remark
Port A	1	green	GPO1+/STRB_OUT+	GPO1Positive end/ Flash output positive end	The default output is flash
	2	yellow	GPO1-/STRB_OUT-	GPO1Negative end/ Flash output negative end	The default output is flash
	3	white	GPI1+/TRIG_IN+	GPI1Positive end/ Trigger Input positive end	The default is trigger input
	4	brown	GPI1-/TRIG_IN-	GPI1Negative end/ Trigger input negative end	The default is trigger input
	5	red	PWR12V	Camera power input positive end	
	6	black	PWRGND	Camera power input negative end	