

## FEATURES

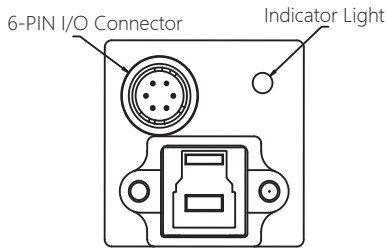
- Supports simultaneous shootings by external triggered flash.
- The camera comes with programmable IO.
- Supports Linux and ARM Linux operating systems, can be integrated into embedded devices.
- Supports 16bit grayscale and 48bit color-lossless format output.
- Multi-camera operation is very stable, no disconnection or frame loss occurs during the operation.
- Fully compatible with the GigE camera's SDK for seamless replacement.
- Compatible with Vision protocol, seamlessly compatible with vision software such as Halcon, VisionPro, Labview.



## SPECIFICATIONS

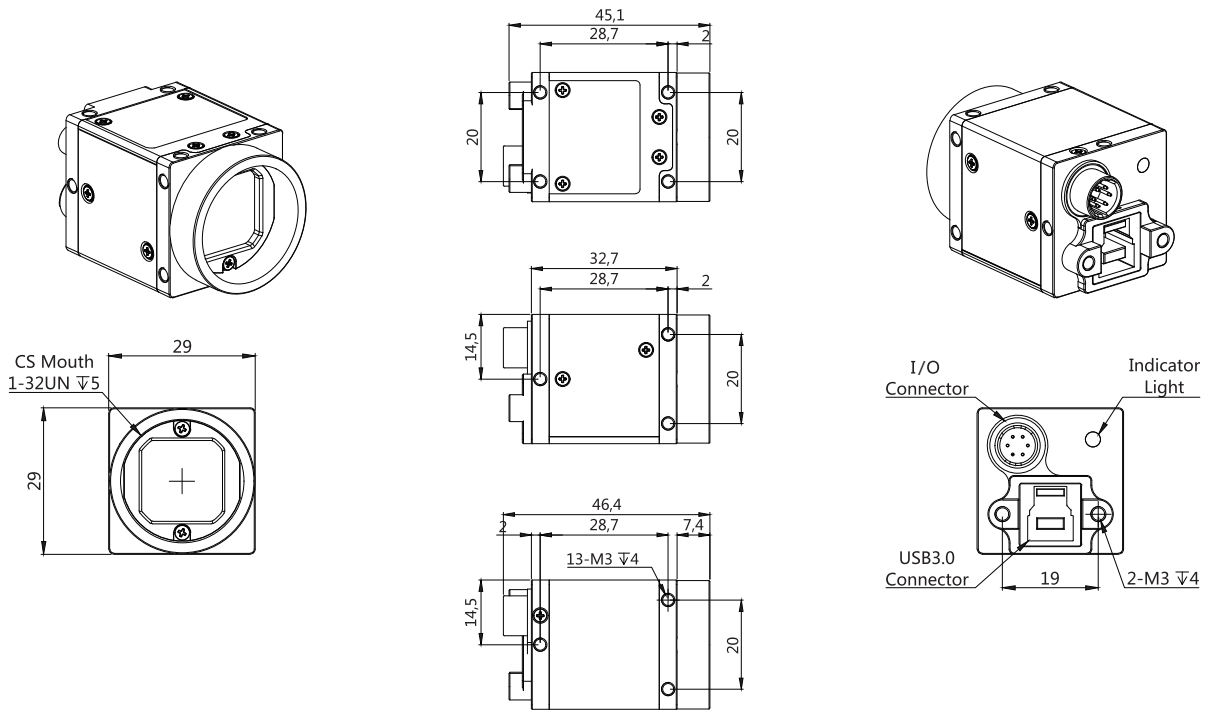
Specifications	Model	MV-AU231GC	MV-AU231GM
Sensor		1/1.2" CMOS	
Shutter		Global Shutter	
Color/Mono		Color	Mono
Pixel Size		5.86X5.86µm	
Resolution		2.3MP(1920X1200)	
Frame Rate		1920X1200@165FPS	
Pixel Bit Depth		8bit	
Sensitivity		1016mV 1/30s	
I / O Port		1 channel trigger input, one flash control output; 1 channel GPO output	
Synchronization		Continuous/Software Trigger/Hardware Trigger	
Maximum Gain		249.9	
Exposure Time(ms)		0.0049~10188	
Filter		Standard 650nm Infrared Cut-off Filter	Standard double-sided AR-enhanced film
Image Buffer		128M Bytes	
Camera Custom Data		2K Bytes	
Video Output Format		Bayer8	Mono8
Visual Standard Protocol		USB3Vision 1.0, GenICam	
Lens Mount		CS mount, preinstalled removable 5MM C/CS adapter ring, compatible with C-mount lenses	
Data Interface		USB3.0 TYPE B	
Power Requirements		5V, USB bus power supply	
Power Consumption		<3W	
Dimensions		29(mm)X29(mm)X32.7(mm)	
Weight		< 75g	
Working Temperature		0~50°C	
Working Humidity		20~80% ( No Condensation )	
Storage Temperature		-30~60°C	
Storage Humidity		20~95% ( No Condensation )	
Support System		WINXP, WIN7 / 8/10 32 & 64-bit systems, Linux and ARM Linux drivers(customizable),Android platform drivers(customizable)	
Drivers		DirectShow components Halcon special components Labview dedicated drive OCX components TWAIN components	
Programming Language		C/C++/C#/VB6/VB.NET/Delphi/BCB/Python/Java	
Programmable Control		Image size (ROI), camera, exposure time, GAMMA, contrast, brightness, custom LUT, mirror flip, RGB color gain, saturation, sharpness, color to mono, color temperature correction, anti-color, Color,trigger mode, frame rate control	

## I/O Connector



Pin No	PIN Color	Signal name	Description	Remarks
1	Green	GPO1+/STRB_OUT+	Positive GPO1/Flash Output Positive	Default: Flash Output
2	Yellow	GPO1-/STRB_OUT-	GPO1 Negative/Flash Output Negative	Default: Flash Output
3	white	GPI1+/TRIG_IN+	GPI1 positive/trigger input positive	Default: Trigger Input
4	Brown	GPI1-/TRIG_IN-	GPI1 negative / trigger input negative	Default: Trigger Input
5	Red	GPO2+	GPO2 positive output	
6	Black	GPO2-	GPO2 negative output	

## DIMENSIONS (Unit: mm)



## SPECTROGRAMS

