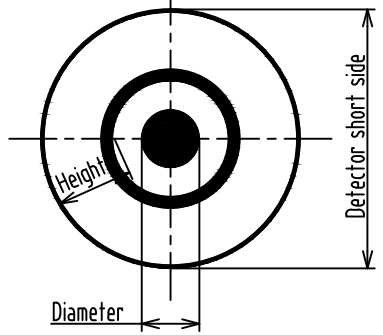
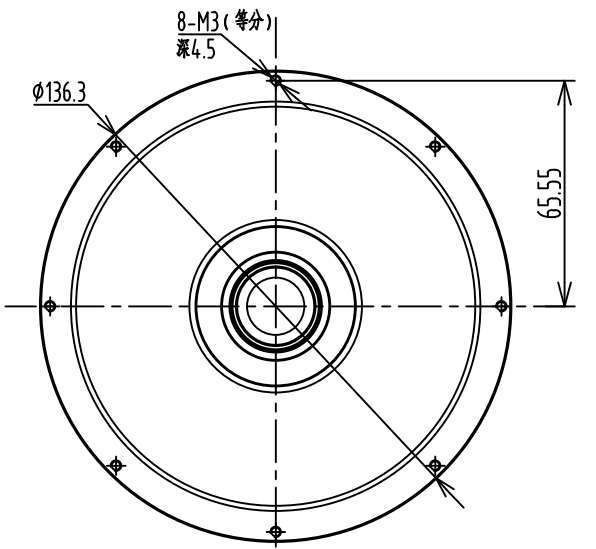
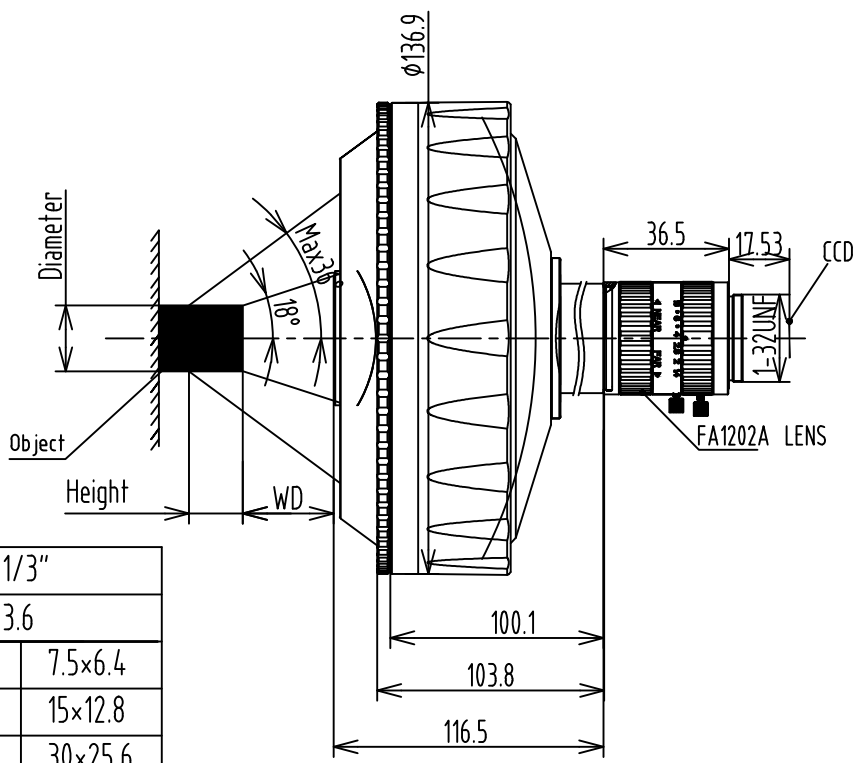


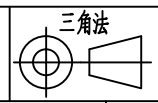
Detector Type	1/3"	
Image Circle	3.6	
Field of view (Diam×Height)	Min	7.5×6.4
	Typical	15×12.8
	Max	30×25.6
Wavelength Range	450-650	
Working Distance	9-46.5	
F/#	6-16	
Mount	C-mount	

Diameter mm	Height mm	WD mm	F/#	C %
7.5	6.4	46.5	16	14
10	8.5	43	12	19
15	12.8	34.7	10	30
20	17	27	8	43
25	21.3	19	6	55
30	25.6	9.7	6	62

$$c (\%) = \frac{\text{Top view diameter (px)}}{\text{Detector short side (px)}} \times 100$$



TOLERANCE:
 LINEARITY TOLERANCES ±0.05
 ANGULAR TOLERANCES ARE ±30'
 DRAFT ANGLES AREA ±0.5°/SIDE



材料(环保)	单位	比例
--	mm	1.5:1
名称	HF-36OEXT05	页码
代号	HF-36OEXT05-SPEC	版本
		V0

设计					
校对					
审核					
批准					

标记	处数	更改文件号	担当	变更日期
----	----	-------	----	------