


SPECIFICATIONS

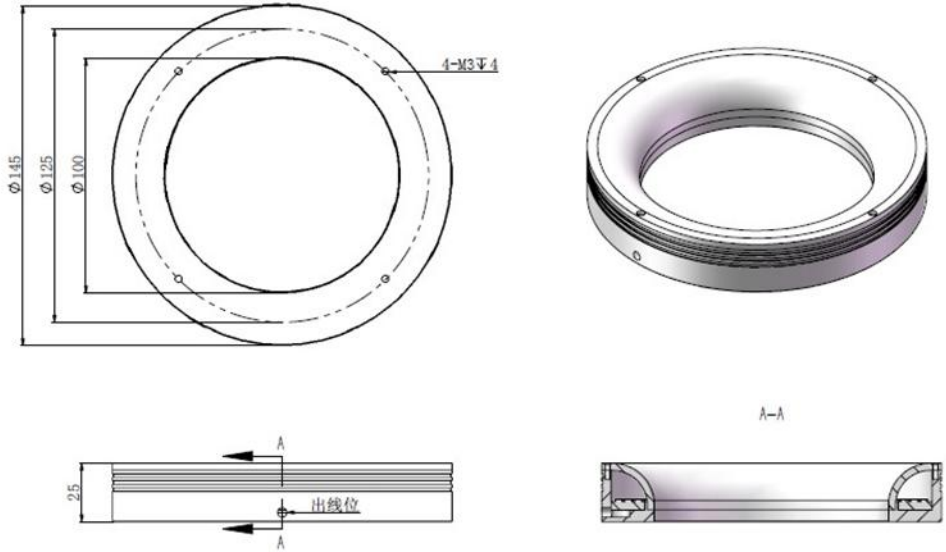
Model	RNS145100-R	RNS145100-W	RNS145100-B	RNS145100-G
Category	Shadowless Ring light			
LED Type	SMD	SMD	SMD	SMD
Color	red	white	blue	green
Wavelength	620-635nm	-	465-470nm	525-530nm
Color temperature	-	6000K-6500K	-	-
Power	-	12W max.	12W max.	12W max.
Input Volt	DC 24V max.			
Cable length	1.2m			
Terminal Plug	Flat head 3PIN 2 pin			
Connector Definition	1 : positive (+) red; 2 : space; 3 : negative (-) black.			
Shell Material	Aluminum Alloy (Oxidative blackened surface)			
Cooling	Natural air cooling			
Dimensions	Φ145mmxΦ100mmxH25mm			
Shell Hardness Parameters	Static load 230N±10N, time 5 minutes contact area: diameter 30MM Energy level: 5J elements: steel ball diameter 50MM, 500g ± 25g			
Electrical Insulation Capacity	DC500V Insulation resistance >20 megohms			
Pressure Resistance Requirements	AC1000V 10mA/5S			
Flammability Rating	IEC60707			
Operating Temperature and Humidity	Temperature : 0 to 50°C, Humidity : 20% to 85%RH (non-condensing)			
Lifespan	Under our specified conditions of use, 50,000 hours for red light and 30,000 hours for white light, the brightness is reduced to 50% of the factory value			
Warranty Period	Under the conditions of use specified by the company, the warranty is two years from the date of shipment, and within two years, if there is a failure problem, it can be repaired or replaced free of charge			
Value Added Services	One year free technical support			
Brightness Controller (optional)	1. Analog Controller 2. Digital Controller			

Mating cable (optional)	1. Light source extension cable 2. Connector adapter cable
----------------------------	---

- *KM the maximum input voltage for all colors of light sources is 24V.
- *KM reserves the right to make changes to the products without prior notice.
- *KM can customize non-standard light sources such as UV, IR, and yellow according to customer requirements

Drawing:





东莞科麦视觉科技有限公司	
品名：RNS145100装配体	
视角方向：$\oplus \rightarrow$	设计：
单位：mm	审核：
比例：1:2	日期：