

FEATURES

- 100 meter distance stable transmission, supports POE power supply.
- Compatible with VISION standards, the free drive directly supports software such as Halcon and VisionPro.
- Support external trigger and flash sync, up to 7 GPIO, all optoelectronic isolation.
- The built-in image processing hardware acceleration, reduce the host CPU occupancy rate.
- The special packet retransmission technology, to ensure reliable data transmission.
- Excellent SDK ,like USB cameras, plug and play.
- Support multiple cameras work at the same time, the network can be arbitrary.

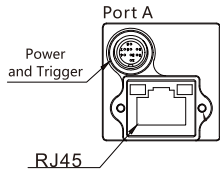


SPECIFICATIONS

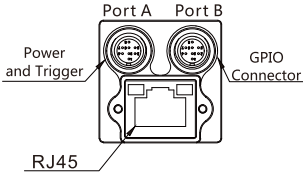
Specifications	Model	MV-134GC-GE	MV-134GM-GE
Sensor		1/2" CMOS, PYTHON	
Shutter		Global	
Color/Mono		Color	Mono
Pixel Size		4.8X4.8μm	
Resolution		1.3MP	
Frame Rate		1280X1024@91FPS	
Pixel Bit Depth		10bit	
Sensitivity		7.3V/lux.s 540nm	
I / O Port		1 way optical isolation input, one way optical isolation output; Optional 3 input 4 output	
Synchronization		external trigger / software / free-run	
Maximum Gain		16.5	
Exposure Time(ms)		0.008~1048	
Filter		Standard 650nm Infrared Cut-off Filter	Standard double-sided AR-enhanced film
Frame Buffer		32M Bytes	
Camera Custom Data		2K Bytes	
Video Output Format		Bayer8/Bayer12	Mono8/Mono12
Visual Standard Protocol		GigE Vision V1.2, GenICam	
Lens Mount		C-mount is default, optional C or CS interface (M12 lens extension spacers available)	
Data Interface		RJ45 Gigabit Ethernet interface, backward compatible with 100M network standard	
Power Requirements		9-24V(POE is optional)	
Power Consumption		< 2.5W	
Dimensions		29 (m m) X 29 (m m) X 40 (m m) (excluding lens base and rear housing ports)	
Weight		< 7.5 g	
Working Temperature		0 ~ 50°C	
Working Humidity		20-80% (Non-condensing)	
Storage Temperature		-30-60°C	
Storage Humidity		20-95% (Non-condensing)	
Support System		WINXP, WIN7/8/10 32&64-bit systems, Linux and ARM Linux drivers and Android platform drivers (customizable)	
Drivers		DirectShow components Halcon special components Labview dedicated drive OCX components TWAIN components	
Programming Language		C / C++ / C# / VB6 / VB.NET / Python	
Programmable Control		Image size (ROI), camera, exposure time, GAMMA, contrast, brightness, custom LUT, mirror flip, RGB color gain, saturation, sharpness, color to mono, color temperature correction, anti-color, Color.trigger mode, frame rate control	

I/O Connector

Single connector

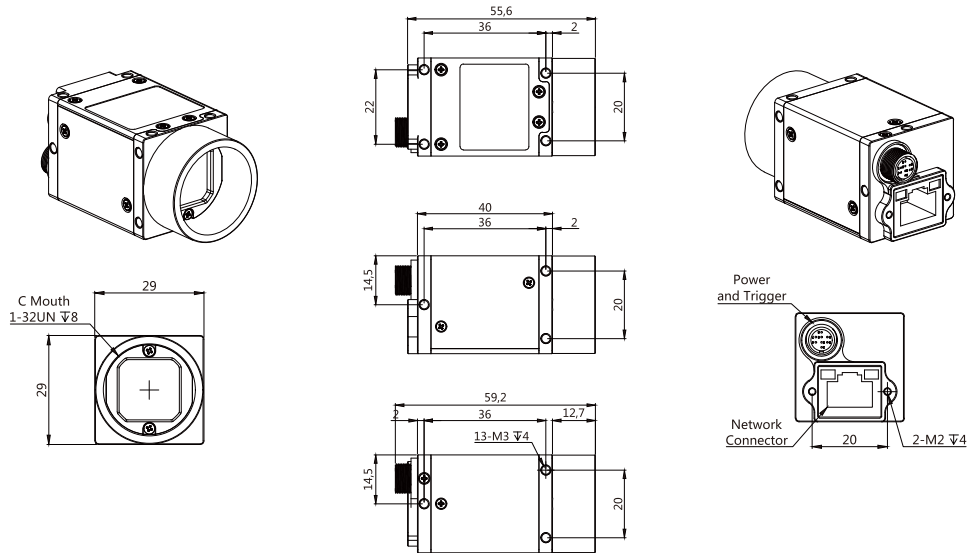


Double connector

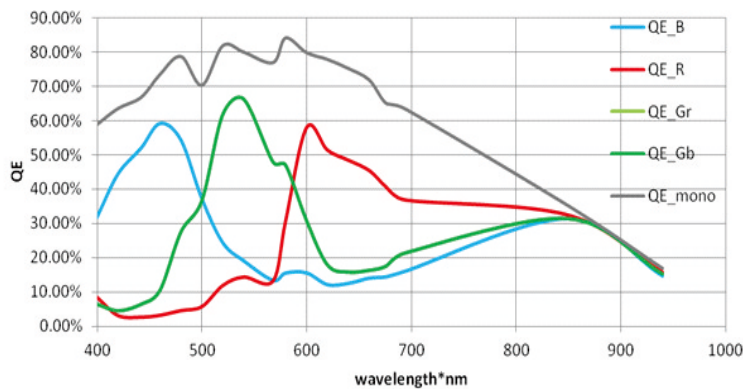


Port	Pin No	Line color	Signal name	Description	Remarks
Port A	1	white	GPI1+/TRIG_IN+	GPI1 positive/trigger input positive	Default is trigger input
	2	Green	GPO1+ /STRB_OUT+	Positive GPO1/Flash Output Positive	The default is flash output
	3	Yellow	GPO1- /STRB_OUT-	GPO1 Negative/Flash Output Negative	The default is flash output
	4				
	5	Black	PWRGND	Camera power input negative	
	6	Brown High soft blue	GPI1- /TRIG_IN-	Camera power input negative	Default is trigger input
Port B	7	Red	PWR12V	Positive camera power input	
	8				
	1	white	GPO4+	GPO4 positive output	
	2	Green	GPO2+	GPO2 positive output	
	3	Yellow	GPO3+	GPO3 positive output	
	4				
	5	Black	GPIO_COM	GPIO common negative	
6	Brown	GPI2+	GPI2 positive input		
7	Red	GPI3+	GPI3 positive input		

DIMENSIONS (Unit: mm)



SPECTROGRAMS



MV-134GC-GE / MV-134GM-GE