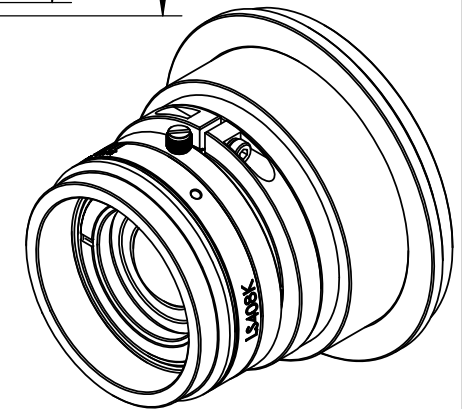
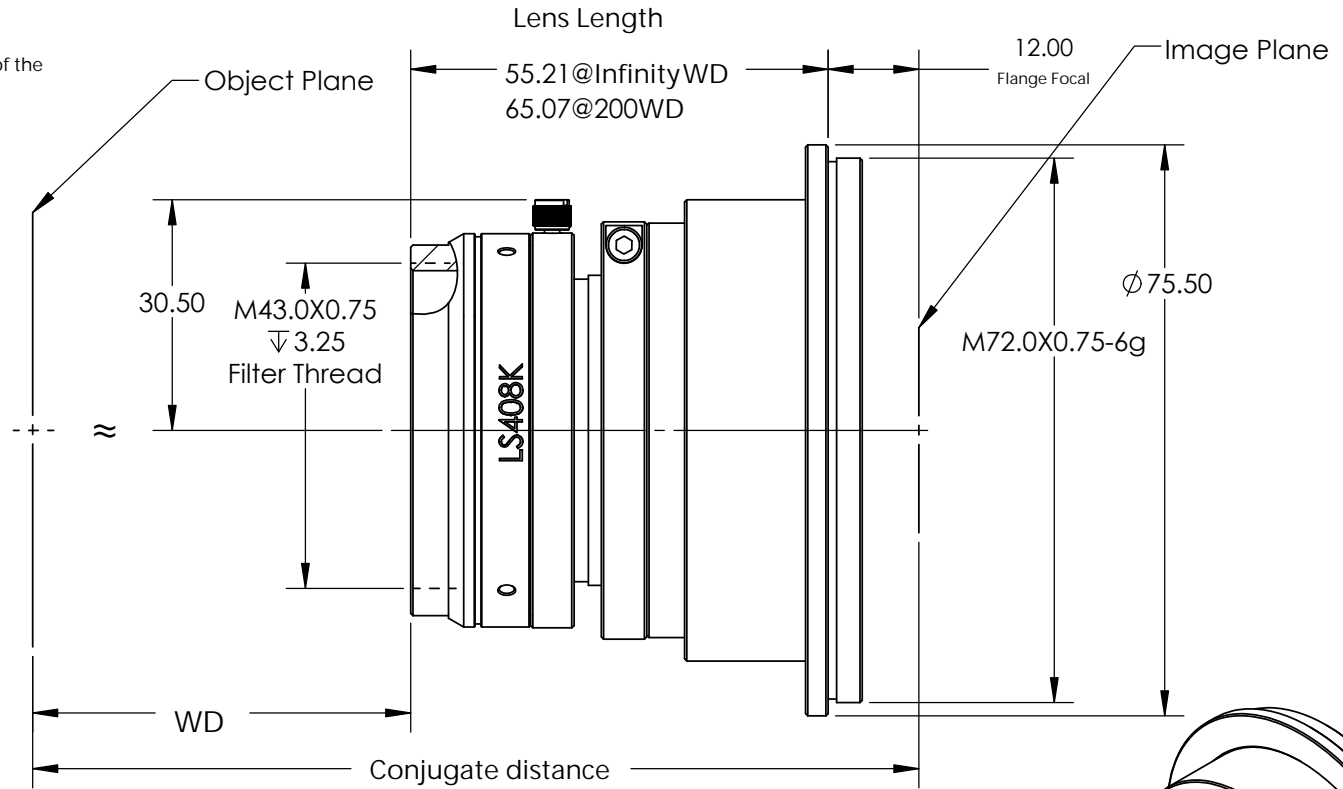


Feature :

- 1.Large image plane : Image circle ϕ 60mm
- 2.Athermalization : -20~+60°C No defocus
- 3.Large stroke focus range : 200mm~Infinity
- 4.Better brightness uniformity at the center and edges of the aperture picture does not require an extended circle.
- 5.Anti-shock focusing fastening method

LS408K specification

Model	LS408K
Focal Length	40mm
F/NO	F5.6~F16
WD	200mm~Infinity
Mount	M72.0×0.75-6g
Weight	
Temperature range	-20°C~+60°C
Filter size	M43×0.75-6g



WD mm	CD mm	Object square field of view mm	Image square field of view	Magnification
1044	1107	1441.00	8192×7.04 μ	0.04x
610	674	829.00	8192×7.04 μ	0.07x
432	497	578.00	8192×7.04 μ	0.1x
296	363	386.00	8192×7.04 μ	0.15x
226	293	287.00	8192×7.04 μ	0.2x
186	258	231.00	8192×7.04 μ	0.25x