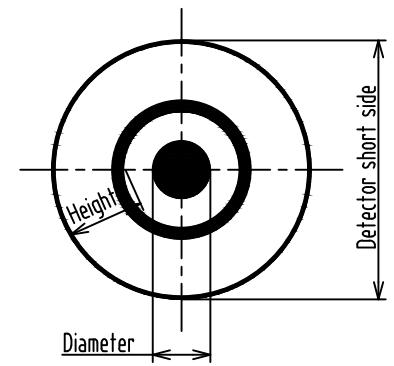
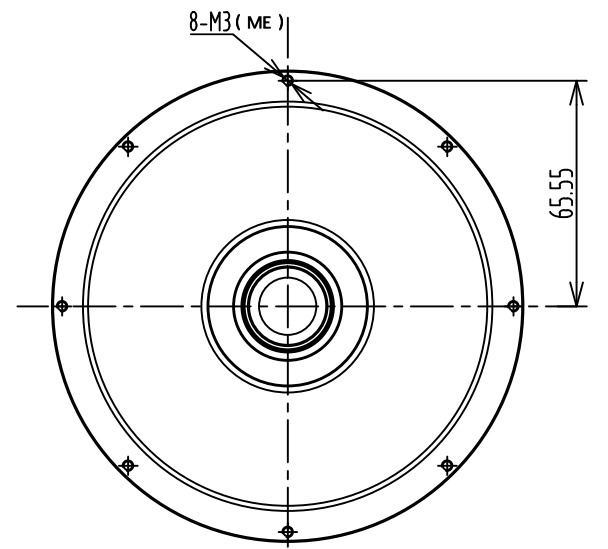
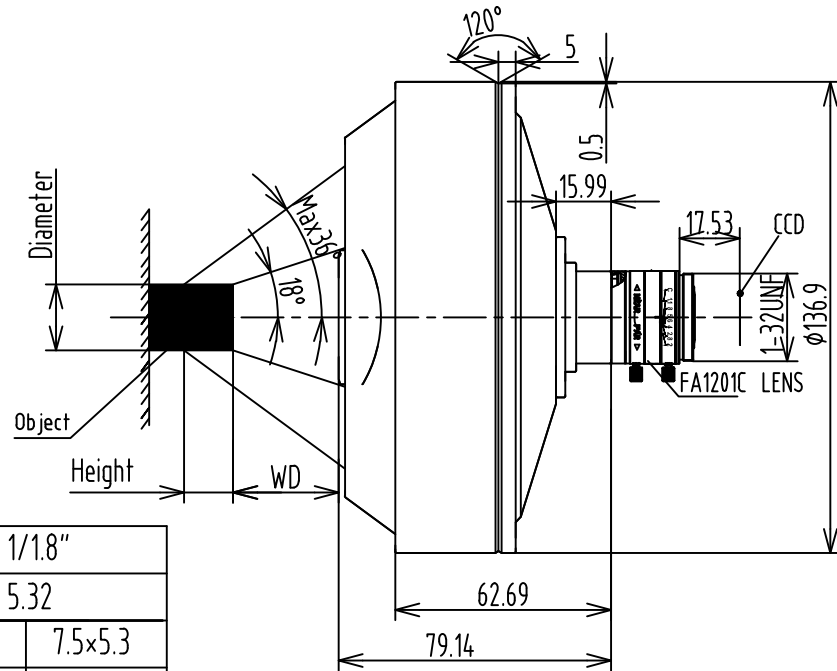


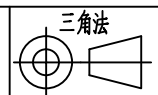
Detector Type	1/1.8"		
Image Circle	5.32		
Field of view (Diam×Height)	Min	7.5×5.3	
	Typical	15×11.86	
	Max	30×25	
Wavelength Range	450-650		
Working Distance	9-45.4		
F/#	8-16		
Mount	C-mount		

Diameter mm	Height mm	WD mm	F/#	C %
7.5	5.3	45.4	16	12
10	7.7	41.5	16	17
15	11.86	33.8	12	27
20	16.5	26.2	12	37
25	20.7	18.5	10	51
30	25	9	8	62

$$c (%) = \frac{\text{Top view diameter (px)}}{\text{Detector short side (px)}} \times 100$$



TOLERANCE:
 LINEARITY TOLERANCES ±0.05
 ANGULAR TOLERANCES ARE ±30'
 DRAFT ANGLES AREA ±0.5°/SIDE



材料(环保)	单位	比例
--	mm	1.5:1
名称	HF-36OEXT02	
	页码	1:1
代号	HF-36OEXT02-SPEC	

F

F