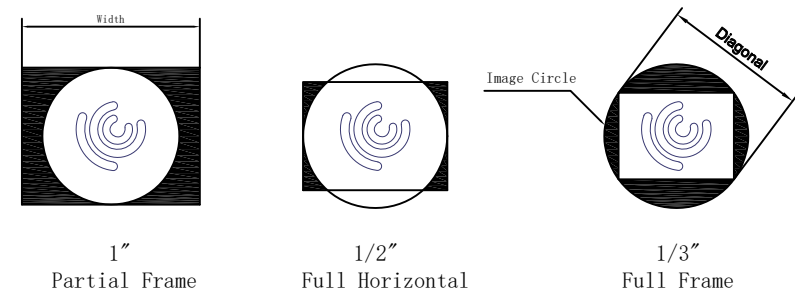
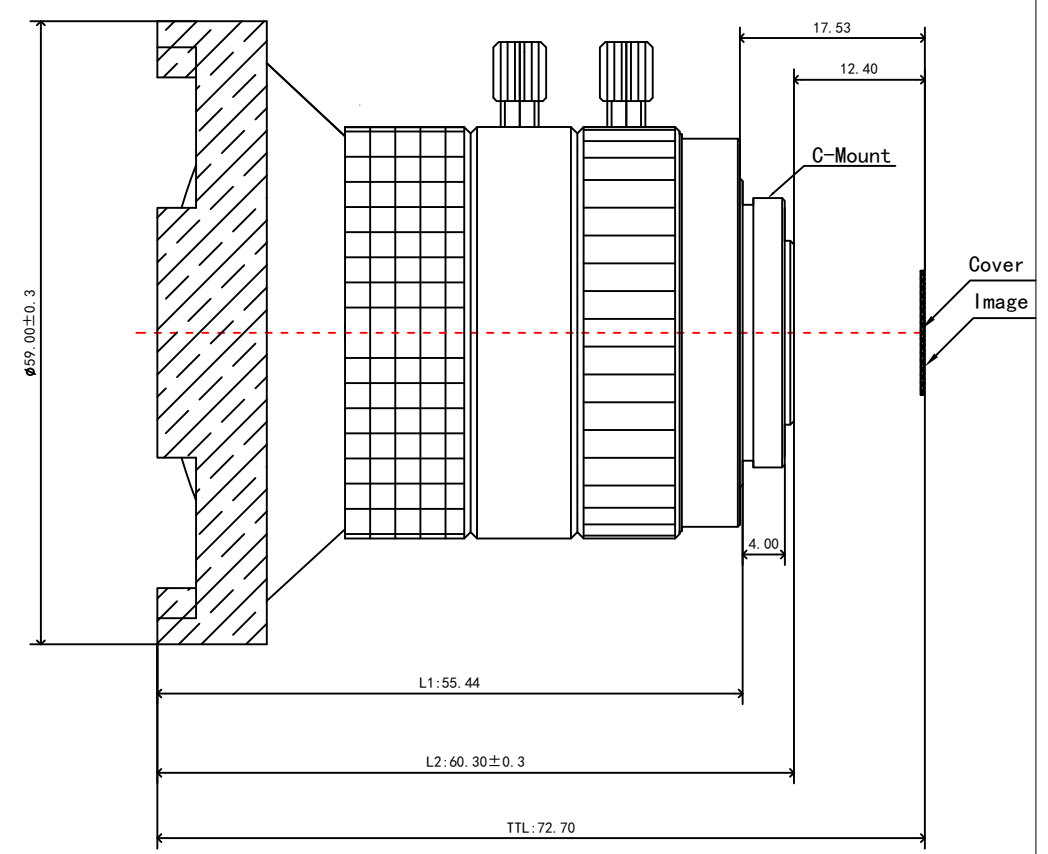
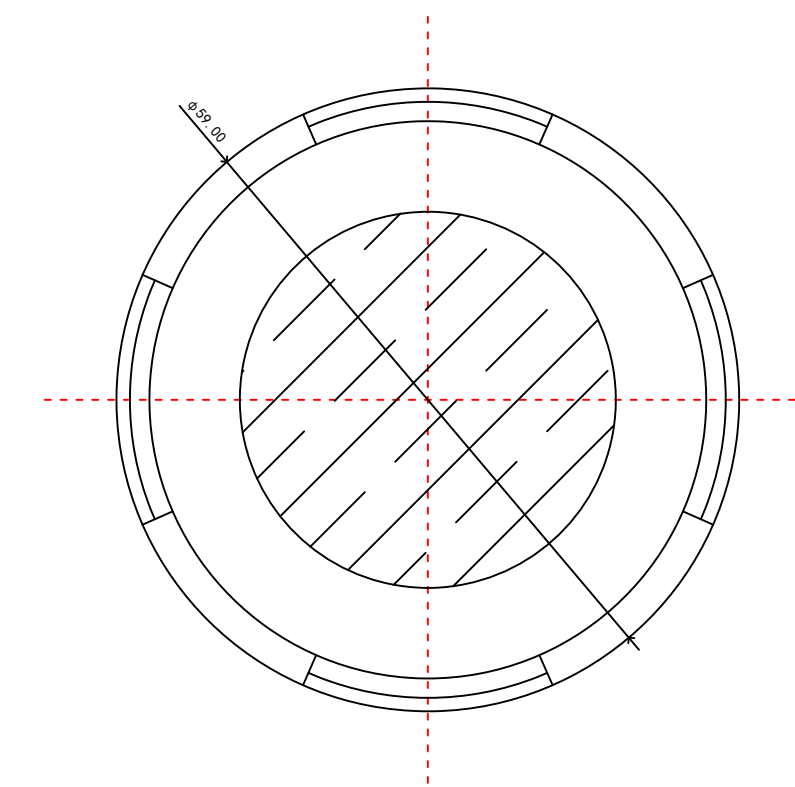


PRODUCT: FA5M3.5C

1	Type	C-Fisheye lens	
2	Resolution	5 MP	
3	Image Format	2/3"	
4	Image Circle	φ11.2mm(MAX)	
5	EFL	3.5mm	
6	TTL	72.7mm	
7	F/NO.	1.4	
8	FFL (M)	12.4mm	
9	BFL (O)	17.53mm	
10	For Sensor	---	
11	F. O. V (H*V)	2/3"	185°*185°
12		1/2"	185°*154.1°
13		1/3"	154.1°*115.4°
14	TV Distortion	<-37%	
15	Relative Ill.	>80%	
16	Chief Ray Angle	<20°	
17	M. O. D	0.1m~∞	
18	Mount Type	C	
19	Dimension Figure	φ59.0*L60.3mm	
20	Lens Structure	All Glass	
21	IR-Filter	Non IR	
22	Weight	200g	
23	Iris Operation	Manual	
24	Zoom Operation	Fixed	
25	Focus Operation	Manual	
26	Operating Temperature	-20° ~+85°	
27	Storage Temperature	-20° ~+85°	



Scale	Remark	Tolerances	Date	Revised	
1:1	X	± 0.2	2019-06-14	FA5M3.5C Rev1.0	
	X.0	± 0.15			
Units	X.00	± 0.10	Design	Linda	2018-03-11
	X.000	± 0.001	Checked	Anna	2016-04-12
mm	Angle	± 0.5°	Approval	Sanmu	2018-06-12

