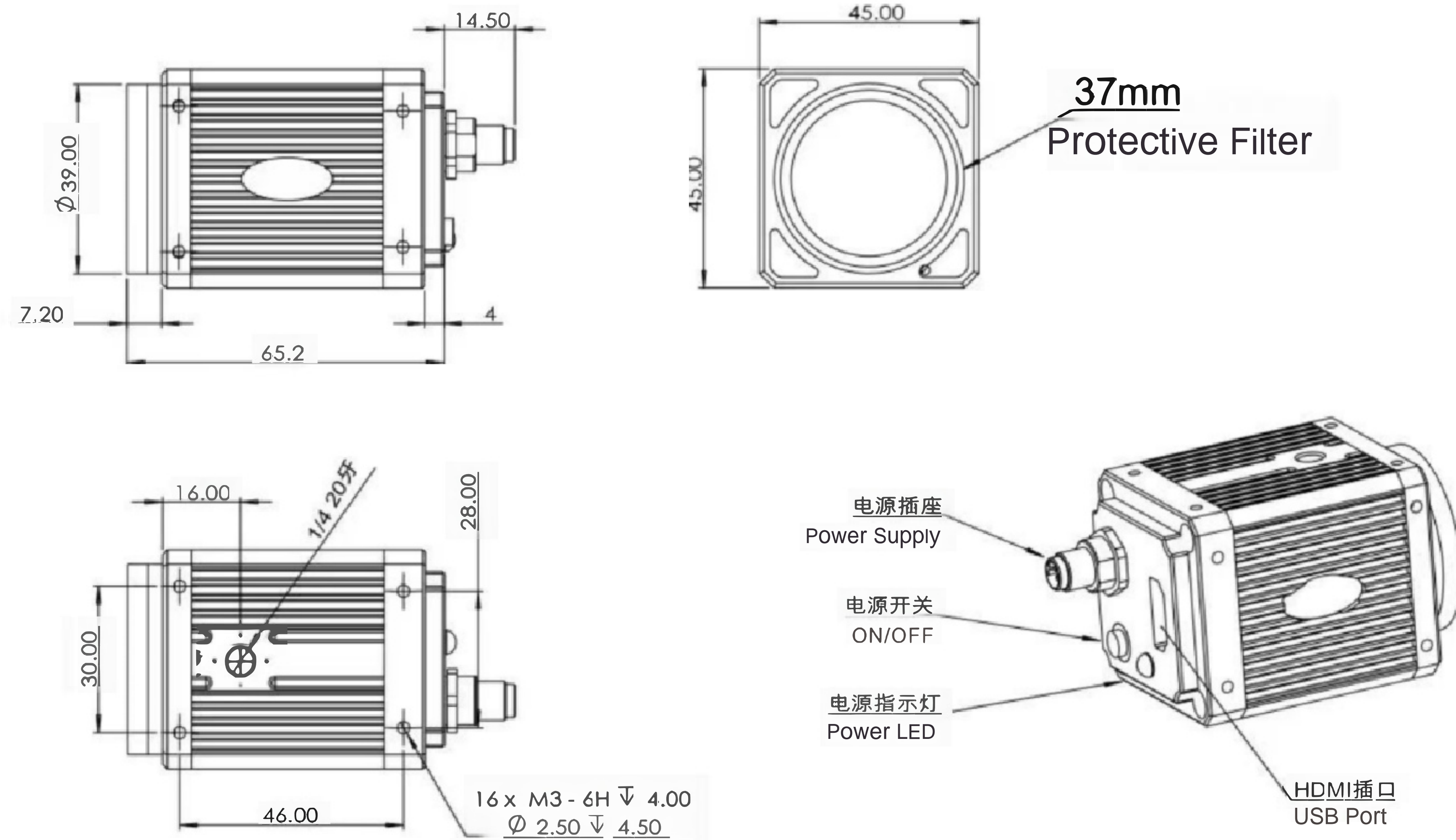
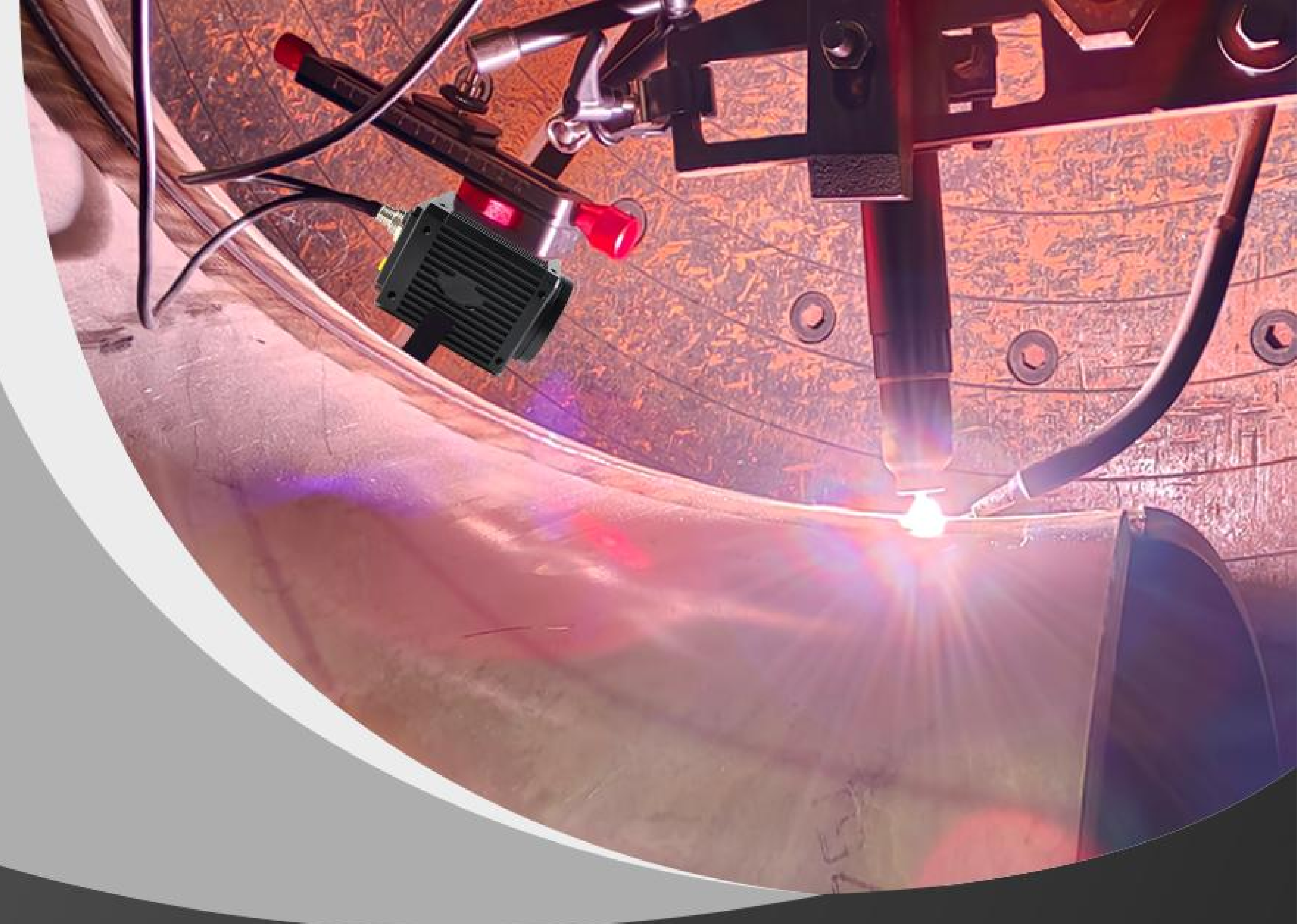


# HIFLY

## 焊接视觉相机 Welding Vision Camera



“  
**见所未见**  
See the unseeable

Model	HF-130H-M/C	HF-130UM	HF-130UC
Sensor Type	B&W1/2.7CMOS image	Color1/2.7CMOS imager	Color1/2.7CMOS image
Maxresolution	1280x1024		1280x1024
FrameRate	60		206fps
Shutter	Global shutter		Global shutter
Protocol	Hdmi output		USB3.0/U3Vison/GenlCam
Operation System/Software	No need for computer		Win7/Win10/Android
Lens	F=25mm(Builded -in) F=42mm(Interchangeable)		F=25mm(Builded -in) F=42mm(Interchangeable)
Working Distance	160-250mm(F25mm len) 200-450mm(F25mm len)		160-250mm(F25mm len) 200-450mm(F25mm len)
Working Temperature	-40°C—85°C		-40°C—85°C
Dimension	45x45x62mm		45x45x62mm

- ✓ 给焊工一双永不受伤的眼睛  
Give the welder eyes that never hurt
- ✓ 让焊接机器人不再是盲人  
Make welding robots no longer blind
- ✓ 低成本焊接过程控制可视化方案  
Low cost welding process control visualization scheme
- ✓ 高清晰成像还原最真实焊接熔池  
High definition imaging to restore the most realistic welding pool



Weldingvisioncamera

Resolutionratio:1280x1024
Maximumframerate:206fps
Workingdistance:160-450mm(Adjustabletoadjust)

OnemachineuniversalMMA/TIG/MIG/MAG Plasmapwelding/Laserwelding/3DPrinting

SHENZHEN HIFLY TECHNOLOGY CO., LIMITED

Addr:6A,168 Smart buildings,Heng Gang Tou industrial park of Xin'an community,China.

Tel:+86 139 2659 3066

Web: <https://hifly.en.alibaba.com>

<https://www.szhifly.com/>





## Company profile

HIFLY Technology company Limited was established in 2006 located in Shenzhen Guangdong China which is a high-tech enterprise focusing on machine vision light source, industrial camera lenses and vision system solutions.

As a global leader in machine vision solutions, we have 15 years of expertise in management, R&D, software engineers, imaging engineers and sales teams.

we are equipped with state-of-the-art production facilities, adhering to ISO 9001:2015 quality system management standard. At the same time, we have more than 30 invention patents and Certifications, serving more than 2,500 customers in 30 countries all over the world.

we eagerly await your communication, anticipating a fruitful partnership in the near future.

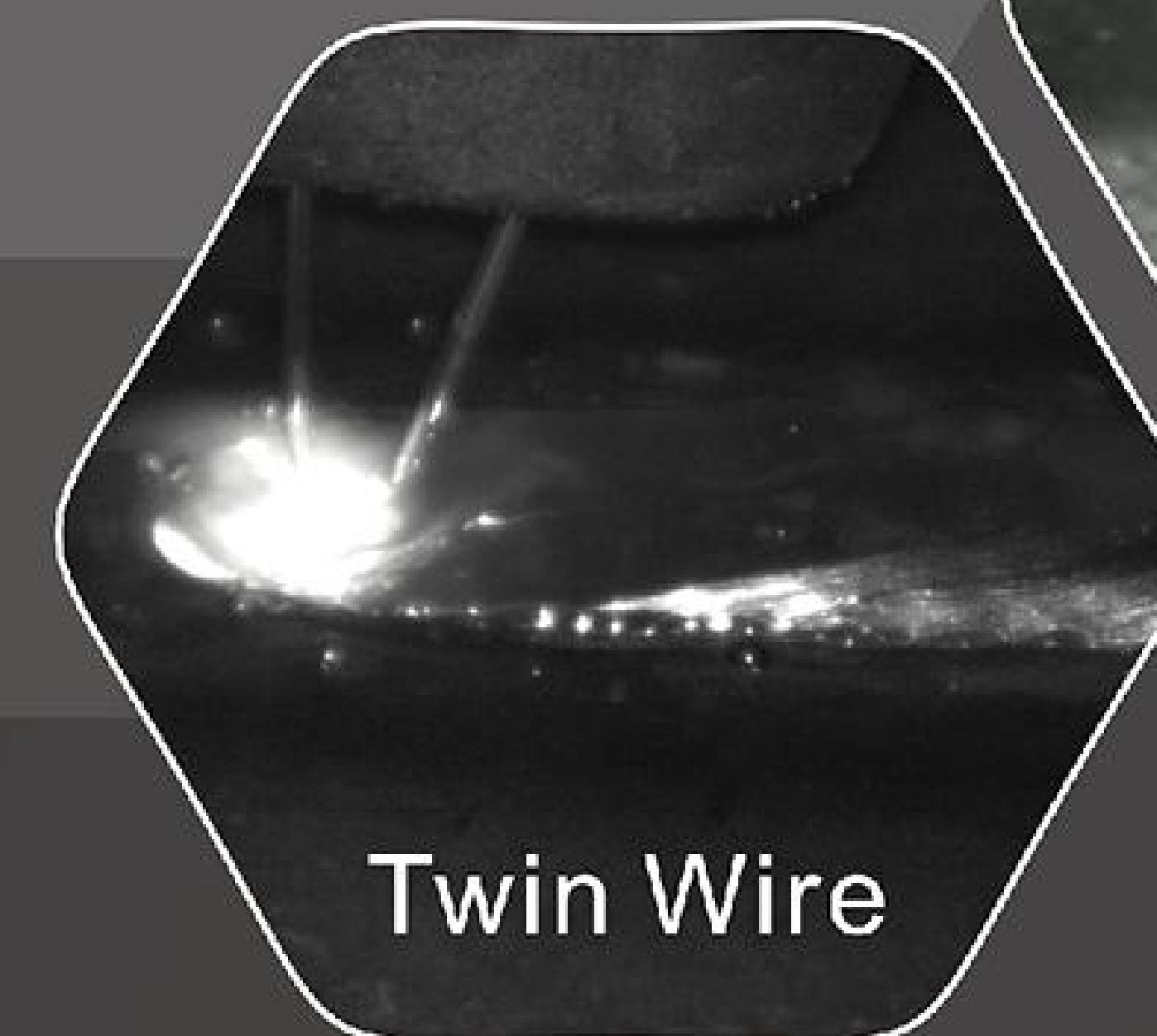
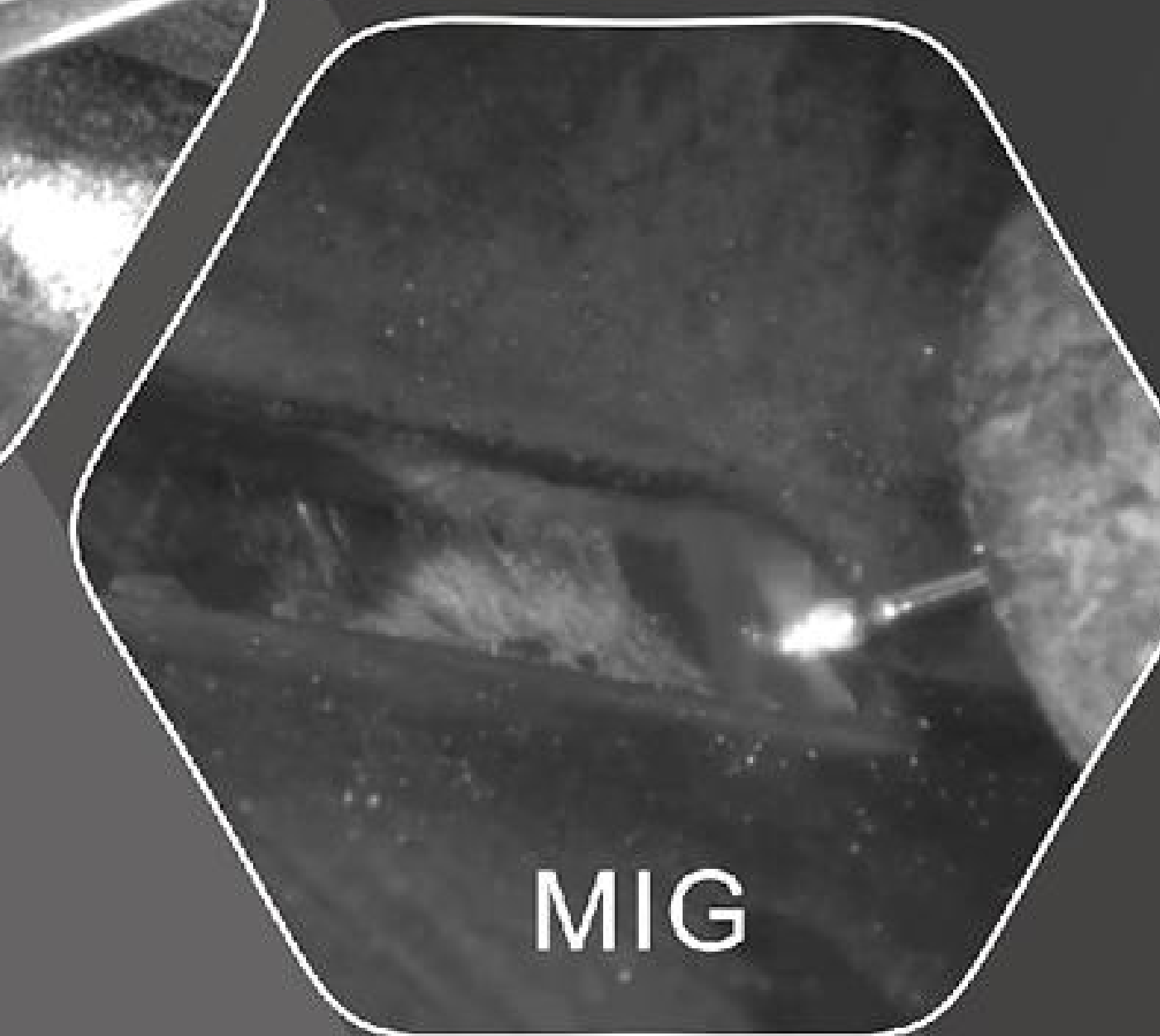
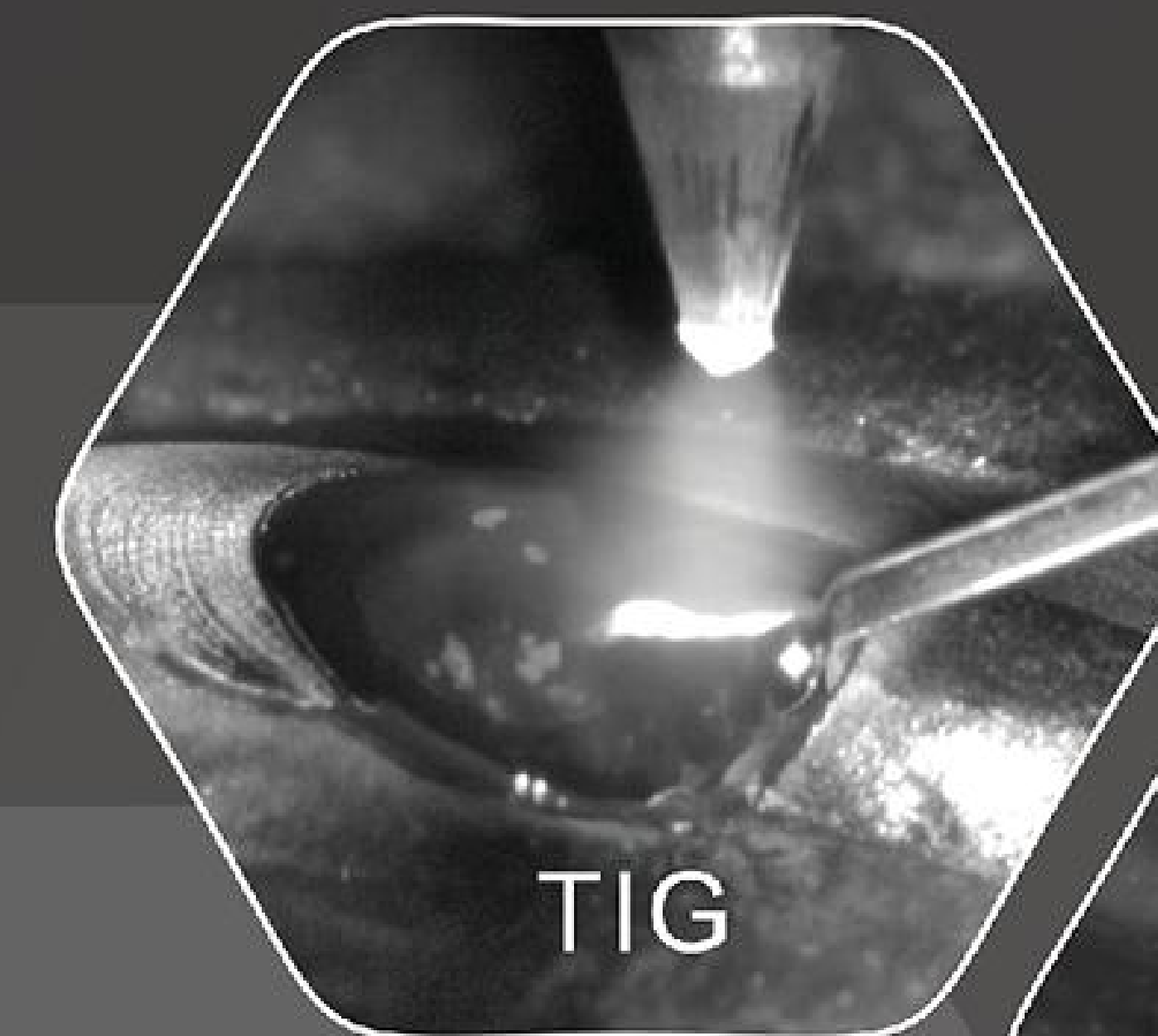
Welding is an important manufacturing process where ensuring welding quality and consistency is crucial. The HIFLY vision camera is an advanced tool specifically designed for monitoring and controlling the welding process.

### Unique Features of HF-130H



- ✓ Resolution of 1280x1024@60fps
- ✓ No need for a computer, directly connect the camera to a display screen
- ✓ Plug-and-play functionality, ready to use
- ✓ Uses fiber optic HDMI cables to avoid electromagnetic fields and high-frequency interference.
- ✓ It can also be used with wireless image transmission and optional battery power supply to avoid cable clutter, making it more convenient for robot welding.
- ✓ Optional HDMI recorder for recording and playback of captured videos

- 1 Active-Vision technology with built-in infrared light source, providing full-field high-definition images with uniform brightness.
- 2 High-quality hardware and unique software algorithms that effectively suppress interference from arc light in imaging.
- 3 Capable of imaging through smoke and dust.
- 4 One machine for universal application in various materials such as carbon steel, stainless steel, aluminum alloy, etc., for MMA/TIG/MIG/MAG/PAW/LBW/3D printing, without the need to change camera accessories or parameters.
- 5 Built-in f25mm lens, interchangeable with f42mm lens, adjustable working distance of 160-450mm.
- 6 Optional copper water-cooling plate for continuous operation in high-temperature environments.
- 7 Uses fiber optic data cables to avoid electromagnetic fields and high-frequency interference.
- 8 Compact size.
- 9 Easy to operate.



### HF-130UM(Mono)/HF-130UC(Color)



- ✓ Resolution of 1280x1024@206fps for compressed or uncompressed images.
- ✓ Requires installation of professional SDK software on a computer to view real-time captured images, capture snapshots, or record videos.
- ✓ Uses fiber optic USB cables to avoid electromagnetic fields or high-frequency interference.
- ✓ It has more adjustable parameters compared to the HF-130H camera, making it suitable for secondary development

