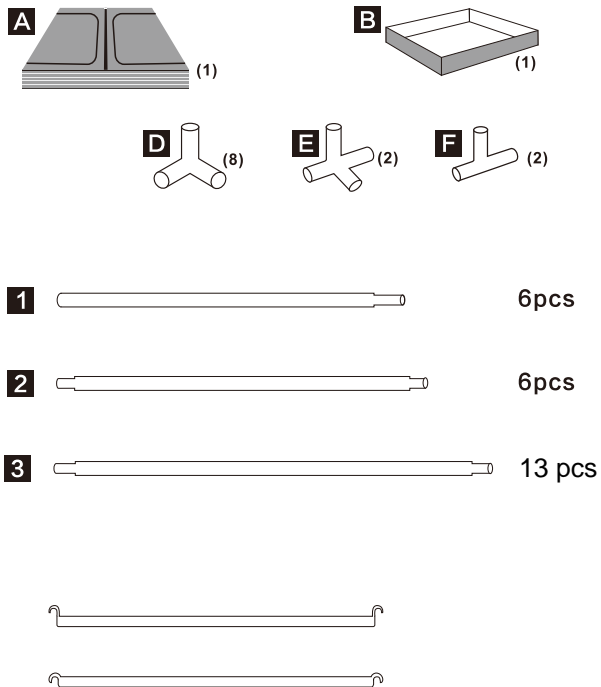


Assembly Instructions

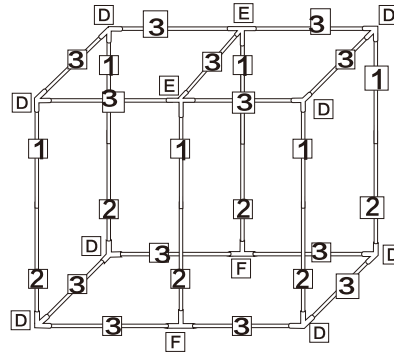
For Tent Size: 200x100cm
 240x120cm
 280x140cm
 300x150cm

COMPONENTS

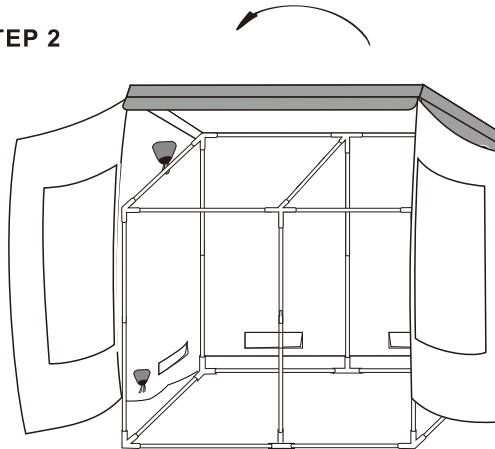
(A)Tent,(B)Floor Tray,(C)Filter Straps,
 (D-F)Corner Adapter,(1-5)Framework Support



STEP 1



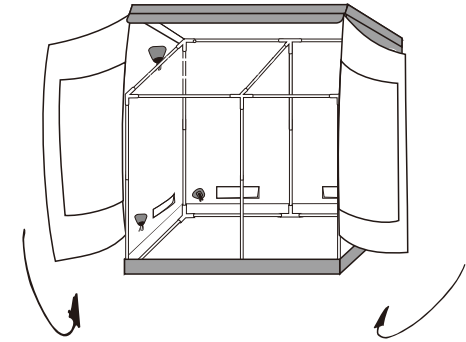
STEP 2



Unzip all zippers of the tent cover all the way.

First Gently pull up the top of tent shell on the frame
 make sure all corners are squarely in place.
 Having a helper makes this process easier.

STEP 3



Then pull the bottom of tent shell under
 the base of tent frame properly.
 Put all hanging bars on the top of frame.

STEP 4

