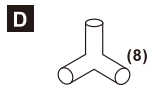
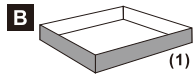
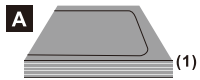


Grow Tent Assembly Instructions

For Tent Size: 90x50cm
 100x60cm
 120x60cm
 140x70cm

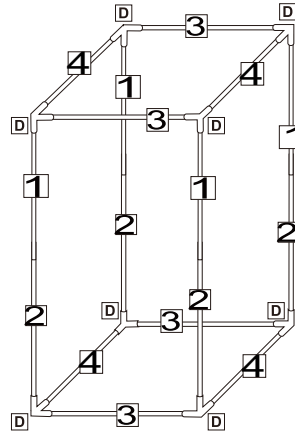
COMPONENTS

(A) Tent, (B) Floor Tray, (C) Filter Straps,
 (D) Corner Adapter, (1-5) Framework Support

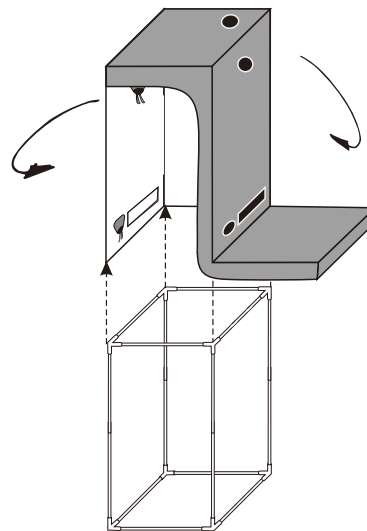


- | | | |
|---|--|-------|
| 1 | | 4 pcs |
| 2 | | 4 pcs |
| 3 | | 4 pcs |
| 4 | | 4 pcs |
| | | 1 pcs |
| | | 1 pcs |

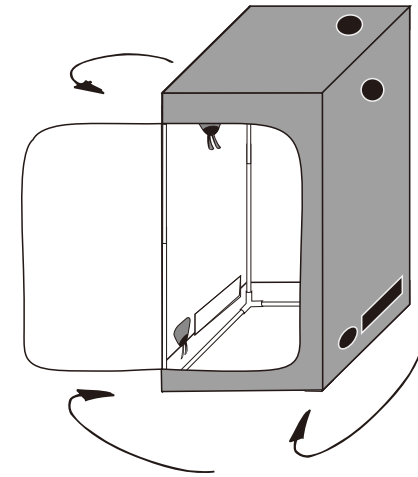
STEP 1



STEP 2



STEP 3



STEP 4

