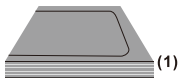


Grow Tent Assembly Instructions

For Tent Size: 40x40cm
 60x60cm
 70x70cm
 80x80cm
 90x90cm
 100x100cm
 120x120cm
 140x140cm
 150x150cm

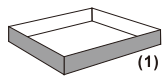
COMPONENTS

A Tent Shell



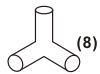
(1)

B Floor Tray



(1)

D Connectors

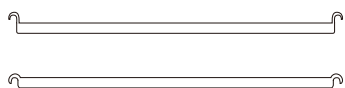


(8)

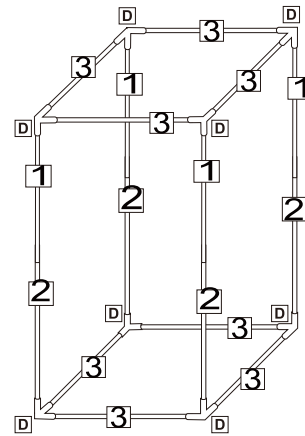
Frame Tubes:

- | | | |
|---|--|-------|
| 1 | | 4 pcs |
| 2 | | 4 pcs |
| 3 | | 8 pcs |

Hanging Bars:

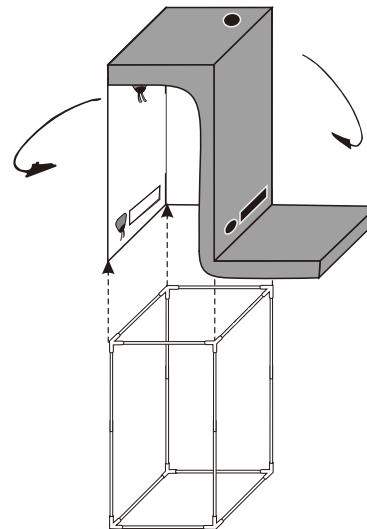


STEP 1



Insert every tube to the end of connector,
 Or the tent shell will be teared !!!

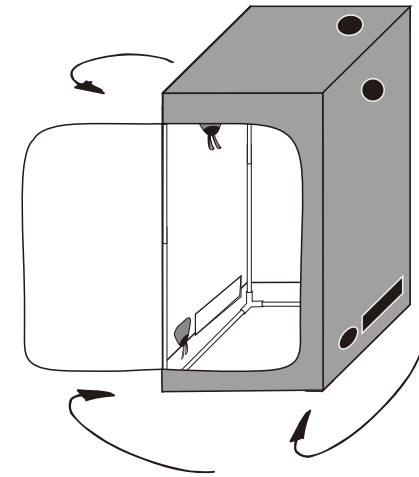
STEP 2



Unzip all zippers of the tent cover all the way.

First Gently pull up the top of tent shell on the frame
 make sure all corners are squarely in place.
 Having a helper makes this process easier.

STEP 3



Then pull the bottom of tent shell to cover
 the base of tent frame properly.
 Put all hanging bars on the top of frame.

STEP 4

