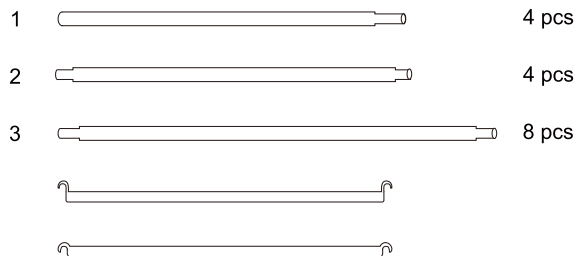
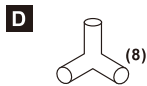
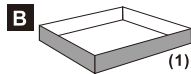
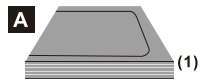


# Grow Tent Assembly Instructions

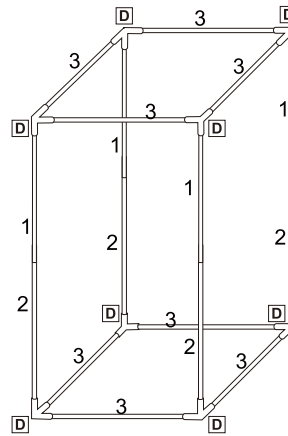
For Tent Size: 40x40cm  
 60x60cm  
 75x75cm  
 80x80cm  
 90x90cm  
 100x100cm  
 120x120cm  
 150x150cm  
 140x140cm  
 160x160cm

## COMPONENTS

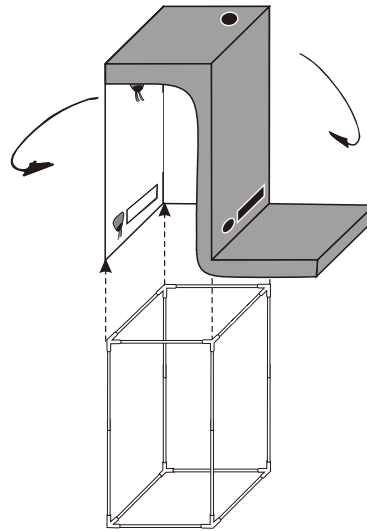
(A) Tent, (B) Floor Tray, (C) Filter Straps,  
 (D) Corner Adapter, (1-5) Framework Support



### STEP 1



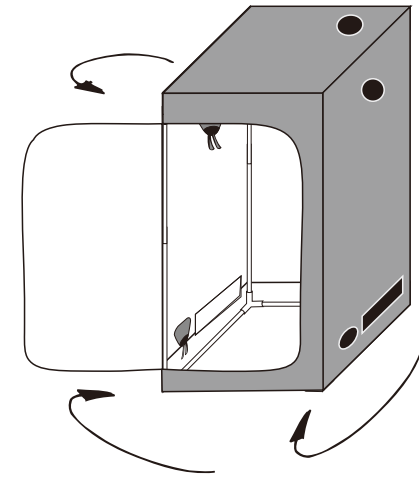
### STEP 2



Unzip all zippers of the tent cover all the way.

First Gently pull up the top of tent shell on the frame make sure all corners are squarely in place. Having a helper makes this process easier.

### STEP 3



Then pull the bottom of tent shell to cover the base of tent frame properly. Put all hanging bars on the top of frame.

### STEP 4

