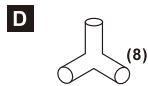
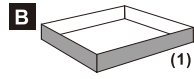
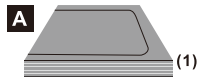


Grow Tent Assembly Instructions

For Tent Size: 90x50cm
 120x60cm
 120x80cm

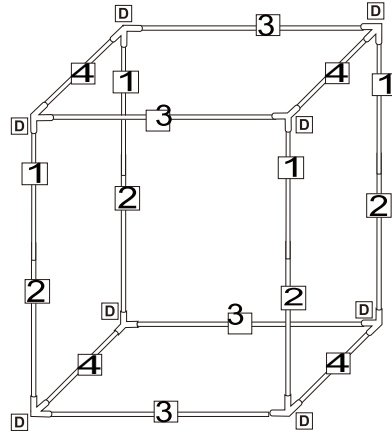
COMPONENTS

(A) Tent, (B) Floor Tray, (C) Filter Straps,
 (D) Corner Adapter, (1-5) Framework Support



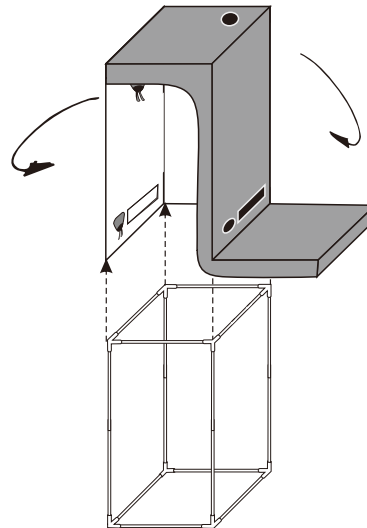
- | | | |
|---|--|-------|
| 1 | | 4 pcs |
| 2 | | 4 pcs |
| 3 | | 4 pcs |
| 4 | | 4 pcs |
| | | 1 pcs |
| | | 1 pcs |

STEP 1



Insert every tube to the bottom of connector,
 Or the tent shell will be teared !!!

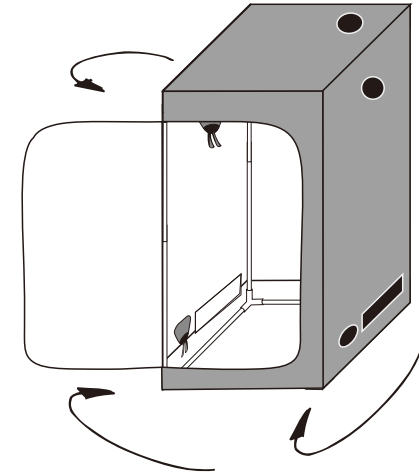
STEP 2



Unzip all zippers of the tent cover all the way.

First Gently pull up the top of tent shell on the frame
 make sure all corners are squarely in place.
 Having a helper makes this process easier.

STEP 3



Then pull the bottom of tent shell to cover
 the base of tent frame properly.
 Put all hanging bars on the top of frame.

STEP 4

