

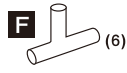
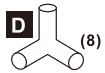
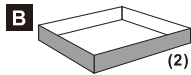
Assembly Instructions

For Tent Size :

- 200x200cm
- 240x240cm
- 300x300cm

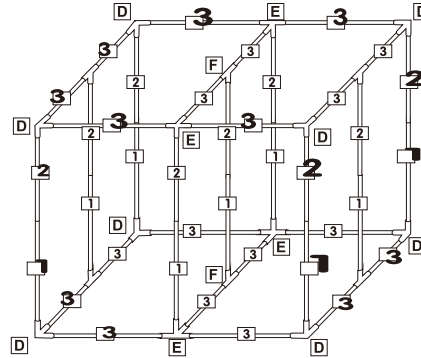
COMPONENTS

(A) Tent, (B) Floor Tray, (C) Filter Straps,
(D-F) Corner Adapter, (1-5) Framework Support



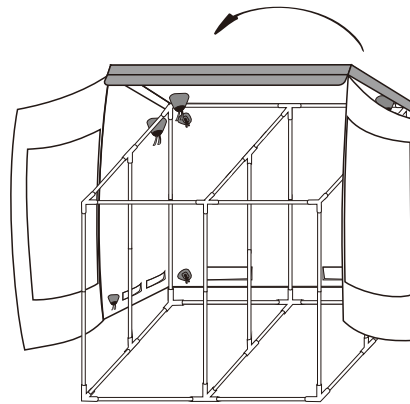
- | | | |
|---|--|--------|
| 1 | | 9 pcs |
| 2 | | 9 pcs |
| 3 | | 20 pcs |
| 4 | | |
| 5 | | |

STEP 1



Insert every tube to the bottom of connector.
Or the tent shell will be teared !!!

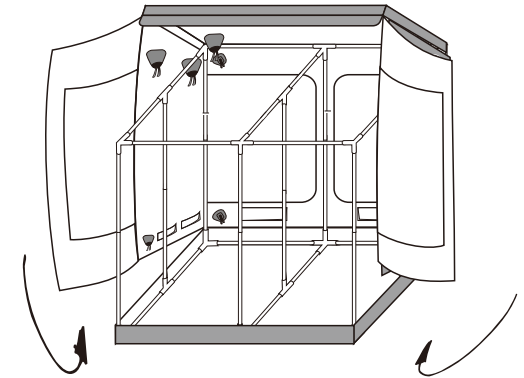
STEP 2



Unzip all zippers of the tent cover all the way.

First pull up the top of tent shell on the frame
make sure all corners are squarely in place.
Having a helper makes this process easier.

STEP 3



Then pull the bottom of tent shell to cover
the base of tent frame properly.

Put all hanging bars on the top of frame.

