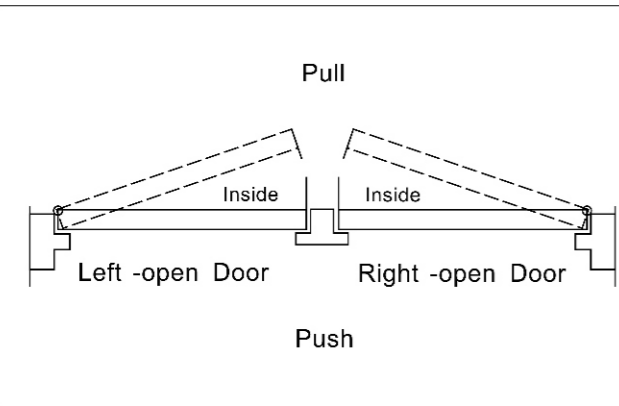
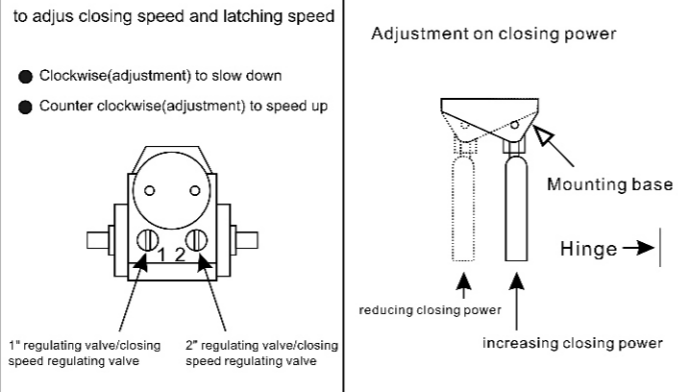


A-A DOOR CLOSER INSTALLATION INSTRUCTIONS

Determine the door direction

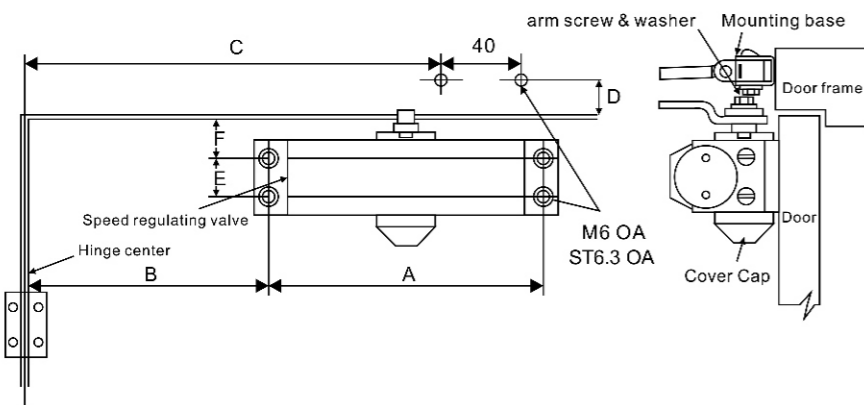


Adjustment after installation



Standard installation: vertical installation on door of pull side

right-open door installation drawing
Same dimensions apply for Left hand door measured from the hinge edge



Unit: <mm>

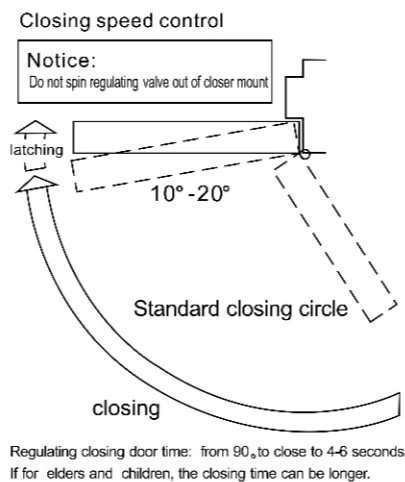
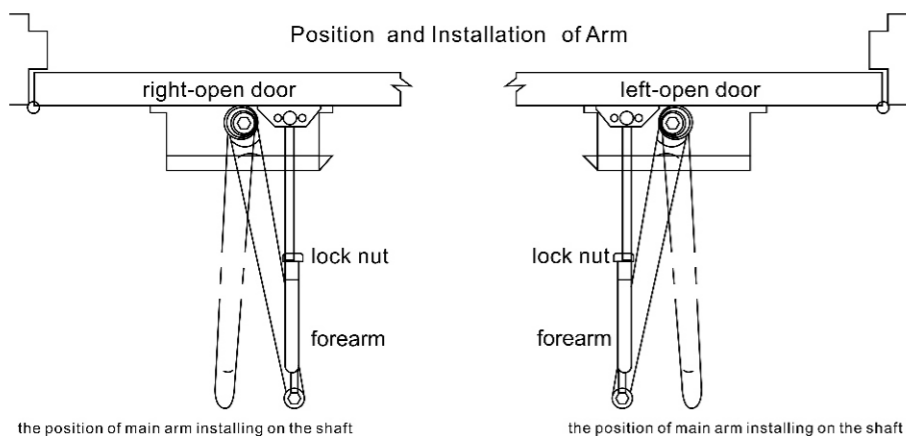
Installation dimensions	A	B	C	D	E	F	Door weight		Door width
							single spring	double springs	
165X19	165	90	200	30	19	17	40-60kg	60-85kg	1000mm
165X19	165	105	215	30	19	17	60-80kg	80-90kg	1100mm
188X19	188	95	260	35	19	19	80-110kg	80-110kg	1100mm

Installation Instructions

- Select degree of opening and use dimensions shown in above template to mark holes on door and door frame, and then install door closer.
- Place main arm on shaft on top of door closer as illustrated.
- When install be the door closers body, the regulating valve should be face to hinge side.
- Attach the arm shoe of the forearm to the door frame.
- adjust the length of forearm so when it is attached to main arm it will be at a right angle(90°)to door (when door is closed and assemble at elbow then lighten locknut.)Meanwhile, to connect forearm and main arm by screw and washer.
- Place cover cap over shaft at bottom of closer and turn slightly to secure.
- Do not spin regulating valve out of closer mount, it will cause oil leakage and unadjustment.

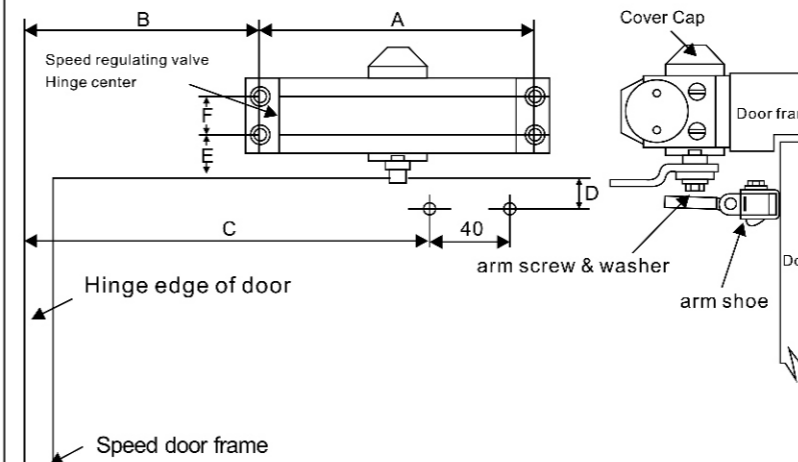
NOTICE: before install hold-shop function door closer, do not spin the shaft beyond 180°, it will destroy closer greatly.

1



Door frame installation: Closer mounted on top jamb on push side of door

Door closer for hand door installation drawing
Same dimensions apply for Left door measured from the hinge edge



Unit: <mm>

Installation dimensions	A	B	C	D	E	F	Door weight		Door width
							single spring	double springs	
165X19	165	90	200	30	19	17	40-60kg	60-85kg	1000mm
165X19	165	105	215	30	19	17	60-80kg	80-90kg	1100mm
188X19	188	95	260	35	19	19	80-110kg	80-110kg	1100mm

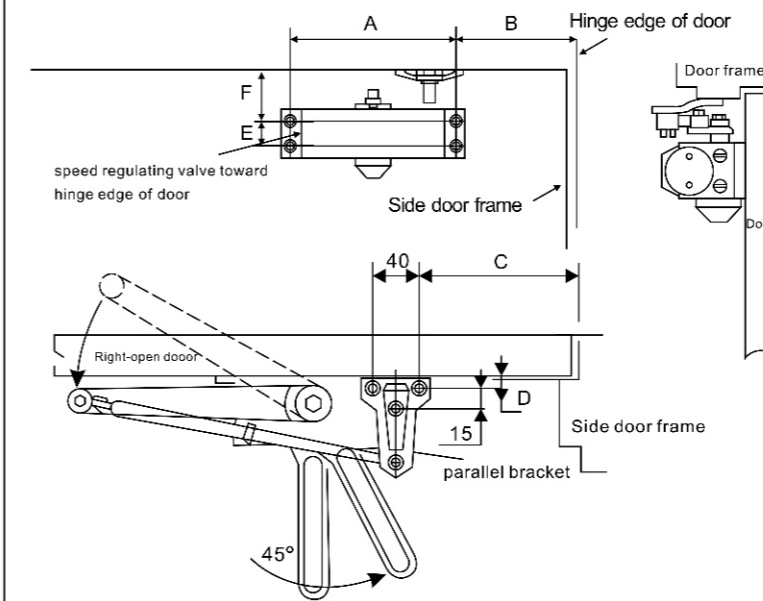
Installation Instructions

- Select degree of opening and use dimensions shown in above template to mark holes on door and door frame, and then install door closer.
- Place main arm on shaft on top of door closer as illustrated.
- When install be the door closers body, the regulating valve should be face to hinge side.
- Attach the arm shoe of the forearm to the door frame.
- adjust the length of forearm so when it is attached to main arm it will be at a right angle(90°)to door (when door is closed and assemble at elbow then lighten locknut.)Meanwhile, to connect forearm and main arm by screw and washer.
- Place cover cap over shaft at bottom of closer and turn slightly to secure.
- Do not spin regulating valve out of closer mount, it will cause oil leakage and unadjustment.
- When installation, this arm is only suitable for 50mm thickness of door frame, if above 50mm thickness, the straight arm need be longer.

2

Parallel arm installation: Closer mounted on door on push side (Notice: parallel arm installation must use flower hole arm and parallel bracket)

Door closer for hand door installation drawing
Same dimensions apply for Left door measured from the hinge edge



Unit: <mm>

Installation dimensions	A	B	C	D	E	F	Door weight		Door width
							single spring	double springs	
165X19	165	90	200	30	19	17	40-60kg	60-85kg	1000mm
165X19	165	105	215	30	19	17	60-80kg	80-90kg	1100mm
188X19	188	95	260	35	19	19	80-110kg	80-110kg	1100mm

Installation Instructions

- Select degree of opening and use dimensions shown in above template to mark holes on door and door frame, and then install door closer. (Notice the valves must be back to hinge.)
- Place main arm on shaft on top of door closer as illustrated.
- Make the top of the axle in the door closer turn about 45 degrees as shown in the gram with a spanner. Fix the moving arm onto the top of the axle and tighten the screw of the moving arm. Then the moving arm will pre-press onto the door.
- Adjust the length of forearm so when it is attached to main arm it will be at a right angle(90°)to door (when door is closed and assemble at elbow then lighten locknut.)Meanwhile, to connect forearm and main arm by screw and washer.
- Place cover cap over shaft at bottom of closer and turn slightly to secure.
- Do not spin regulating valve out of closer mount, it will cause oil leakage and unadjustment.

3

IMPORTANT NOTICE: Let door to door closing by power of door closer, Please do not add extra power, it will damage the door closer.