

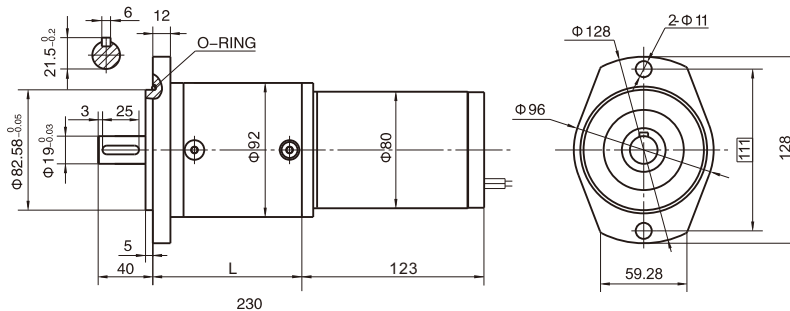


DC Planetary Gear Motor

PG92-80ZY115

Φ92行星齿轮减速器, 允许转矩范围:150 N.m
92mm OD Planetary Gearhead,
Permissible Load Range:150 N.m

● 外形和安装尺寸 Dimensions



● 电动机主要技术参数 Motor Technical Data

电机型号 TYPE	额定电压 Rated voltage VDC	空载转速 No-load speed r/min	空载电流 No-load current A	额定转速 Rated speed r/min	额定转矩 Rated torque mN.m	输出功率 Output power W	额定电流 Rated current A	堵转力矩 Stall torque N.m	堵转电流 Stall current A
80ZY115-2413	24	1300	0.5	960	230	24	3.0	1.0	8
80ZY115-2430	24	3000	0.8	2400	450	120	7.5	2.5	30

● 齿轮减速电机主要技术参数 Gear Motor Technical Data

配置80ZY115-2413直流电机 (80ZY115-2413 DC Motor)

减速比 Reduction ratio	4.3	5.7	7.5	18	24	32	43	56	76	103	139	246	322	422
减速级数 Number of gear trains	1	1	1	2	2	2	2	2	3	3	3	3	3	3
减速器长度(L) Length(L) mm	74	74	74	92	92	92	92	92	110	110	110	110	110	110
空载转速 No-load speed r/min	302	228	173	72	54	40	30	23	17	12.5	9	5.3	4	3
额定转速 Rated speed r/min	223	168	128	53	40	30	22	17	12	9	7	4	3	2.2
额定转矩 Rated torque N.m	0.9	1.1	1.5	3.3	4.4	5.9	8.0	10.4	12.7	17.2	23.3	41.3	54	70
最大瞬间允许负载 Max. permissible load in a short time N.m	90	90	90	270	270	270	270	270	450	450	450	450	450	450

配置80ZY115-2430直流电机 (80ZY115-2430 DC Motor)

减速比 Reduction ratio	4.3	5.7	7.5	18	24	32	43	56	76	103	139	246	322	422
减速级数 Number of gear trains	1	1	1	2	2	2	2	2	3	3	3	3	3	3
减速器长度(L) Length(L) mm	74	74	74	92	92	92	92	92	110	110	110	110	110	110
空载转速 No-load speed r/min	697	526	400	166	125	94	70	53	40	29	21	12	9	7
额定转速 Rated speed r/min	558	421	320	133	100	75	56	42	31	23	17	9.5	7.5	5.5
额定转矩 Rated torque N.m	1.7	2.3	3.0	6.5	8.7	11.6	15.6	20	25	34	45	80	105	138
最大瞬间允许负载 Max. permissible load in a short time N.m	90	90	90	270	270	270	270	270	450	450	450	450	450	450