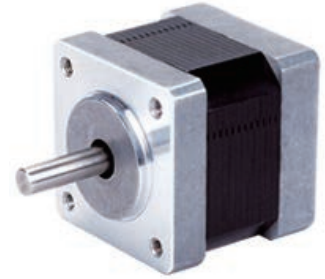




Hybrid Stepper Motor

14HY (35mm) Series, 1.8 deg/step

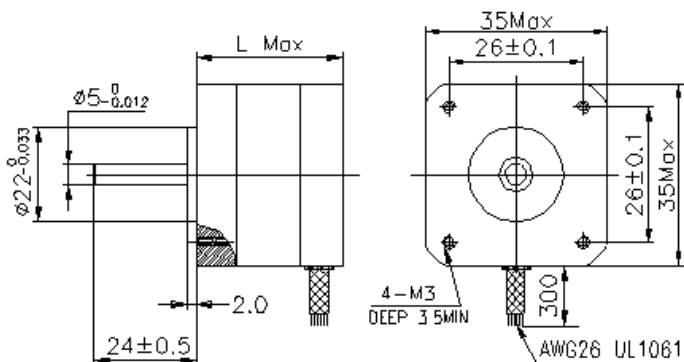


Electrical Specification

Model	Step Angle (°)	Motor Length (mm)	Rated Current(A)	Phase Resistance(Ω)	Phase Inductance(mH)	Holding Torque (N.cmMin)	Detent Torque (N.cmMax)	Rotor Inertia (g.cm ²)	Lead Wire (No.)	Motor Weight(g)
14HY0404	1.8	20	0.4	22	16	5.0	0.5	9	4	90
14HY1402	1.8	26	0.8	4.2	4.5	10	0.6	10	4	110
14HY2420	1.8	28	0.46	20	14	12	0.8	11	4	120
14HY2402	1.8	28	0.8	5.0	5.0	12	0.8	11	4	120
14HY2630	1.8	28	0.4	30	11	9	0.8	11	6	120
14HY3401	1.8	34	0.42	25	32	18	1.0	13	4	160
14HY3402	1.8	34	0.8	6.5	9.8	18	1.0	13	4	160
14HY3630	1.8	34	0.4	30	22	12	1.0	13	6	160
14HY4402	1.8	42	0.8	10.5	13	22	1.5	22	4	200
14HY5402	1.8	52	0.8	14.0	26	30	2.0	26	4	230

* Note: It's only typical technical data, special requirement can be customized.

Mechanical Dimensions



Description:

Model	Motor Length
14HY2xxx	28mm
14HY3xxx	34mm

Wiring Diagram

