

ELECTRIC CHAIN SAW

—— User's menu ——



Table of Contents

Caveat	2
Packing List	2
Logos and symbols	3
Product descriptions	4
Description	4
Performance description	4
Technical Parameters	4
Name and schematic diagram of each part	5
safety regulations	6
Precautions before operation	6
Operator requirements	6
Dress and protection requirements	6
Working environment requirements	7
Surrounding environment requirements	7
Machine safety requirements	7
Guide board safety instructions	8
Chain safety instructions	9
Operation precautions	9
Cutting precautions	9
Pruning precautions	10
Logging precautions	10
Rebound warning	11
Tension warning	12
Thrust warning	12
Cleaning, maintenance, repair	13
Precautions before operation	13
Operation precautions	14
Installation of chain and guide plate	14
Tension chain	14
Add chain oil	15
Start detection	15
Operation of the one-handed chainsaw	15
Chain saw cleaning	16
Maintenance	16
Battery maintenance and precautions	17
Rechargeable chain saw safety warning	18
Reasons for tool rebound and operator's preventive measures	18
After-sales service	19
Statement	19

Dear users, sincerely thank you for choosing our company's quality products! In order to better use this product, please read the instructions carefully before using it, and keep this manual for later inquiry. If you have any questions during use, please contact us in time, and we have professionals to answer your questions. wish you a happy use!

Warning



Please read all safety warnings and instructions carefully. Failure to follow the relevant warnings and instructions may result in electric shock, fire or other serious injuries.

Please keep all warnings and instructions for future reference.

► Packing list

● Tool box



● The toolbox contains the following accessories

1. Electric chain saw
2. Lithium battery
3. Charger
4. Supporting tools
lubricant
screwdriver
round set



1



2



3



4

● The final interpretation right of this product belongs to our company

► Logos and symbols



Read the instruction manual



Can't get wet



The power cord is damaged or cut, please unplug the plug in time



Warning/Danger



Wear safety glasses



Wear protective clothing



Chain saw running direction



Wear non-slip boots

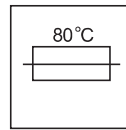
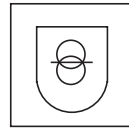
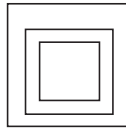
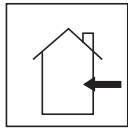


Don't litter



Prevent skip saw

Product description



1. Please read the instructions carefully.
2. It can only be charged indoors.
3. Double insulation, no need to ground.
4. Fail safe transformer.
5. It will automatically power off when charging is overheated.
6. Do not dispose of the charger with household waste.
7. Do not dispose of the battery with household waste.

Product description

The scope of application of this tool: sawing, pruning branches and cutting some small diameter trees, suitable for gardens and orchards.

Technical Parameters

Basic information of lithium chain saw	
Working voltage	DC 16.8V
Lithium battery specification	16.8V 2A/16.8V 4A
Rated power	350W
Maximum sawing diameter	120mm
Saw chain linear speed	6.2m/s
Drive saw sprocket	7 teeth
Body weight	0.88kg
Weight of lithium battery	0.26/0.36kg

- The manufacturer reserves the right to change specifications without notice
- Specifications and battery packs may vary depending on the country where they are sold.

● Name and schematic diagram of each part



- 1.Lithium battery
- 2.Power switch
- 3.Lock button
- 4.Speed switch
- 5.Knob
- 6.Chain
- 7.Guide
- 8.Protective cover
- 9.Oil

► Safety regulations


The scope of application of this tool: sawing, pruning branches and cutting some small diameter trees, suitable for gardens and orchards.

Precautions before operation

(1) The use of battery packs and chargers that are not marked or approved by our company may cause fire or explosion, which may cause serious or fatal injuries and property damage.

(2) The use of chain saws, battery packs and chargers beyond their design specifications can cause serious or fatal injuries and property damage.

● **Operator requirements**

Warning!  If the user does not read and understand the contents of the manual, it is prohibited to use and touch the chain saw, battery pack and charger. Otherwise, it may cause serious injury or death to the user or others. Read the instruction manual, make sure you understand and save it for future reference.

Read the manual, make sure you have fully understood it and save it for future reference.

Ensure that users fully fulfill the following requirements:

- (1) When operating the chain saw, using the battery pack and the charger, the user must ensure that the physical, mental, and psychological conditions are in a normal state and are suitable for operating the equipment. If the user has the above restrictions, please use it in the presence of the guardian or the person in charge.
- (2) The user must be an adult.
- (3) When using the device for the first time, the user must ensure that he has received the instructions from the company's dealer or the company's professional operating instructions before it can operate.
- (4) The user cannot use the device under the influence of alcohol, drugs, or drugs.

The user who is using the chain saw for the first time must first perform the necessary sawing practice on the sawhorse or bracket

● **Dressing and protection requirements**

Warning

- (1) Dress appropriately. Do not wear loose clothes or accessories. Keep clothes, gloves and hair away from moving parts. Loose clothes, ornaments or long hair may be caught in moving parts.
- (2) Chips or other sawdust may be thrown out when the chain saw is working, which may cause physical injury.

- a. Please wear goggles during operation.
- b. It is recommended to wear a protective mask
- c. Wear long clothing

(3) Falling objects from high altitude can cause head injuries.

(4) Dust and sawdust will be raised during operation. Dust and sawdust can cause air to be blocked or cause allergic reactions.

(5) Inappropriate clothing may hang on branches and branches, which will hinder and affect the use of chain saws. The user may cause serious injury due to inappropriate clothing.

- a. Please wear tight-fitting clothing.
- b. Please take away items such as scarves and jewelry.

(6) The user may approach the running saw chain when using the chain saw, which may cause serious injury to the user.

- a. Please wear long trousers with a protective cutting level. The protective level is defined by the speed of the chain saw.

(7) Users may hurt themselves when sawing wood. Especially when cleaning machines and chains, your hands will come into contact with sharp edges such as chains.

- a. Please wear protective gloves when working.

(8) Improper shoes may cause slipping or falling. If you come into contact with the saw chain after falling, it will cause injury to the user

a. Please wear chain saw protective boots. The protection level of the protective boots is defined by the speed of the chain saw.

► Working environment requirements

● **WPeripheral safety requirements**

(1) Bystanders, children and other animals are unaware that the sawdust or other debris flying out when the chain saw is working will pose a threat of harm to them. Bystanders, children, and animals may be seriously injured.

- a. Please keep bystanders, children, and animals away from the work area.

(2) The chain saw is not waterproof. If you use it in the rain or humid environment, it may cause electric shock. The user will be injured and the chain saw will be damaged.

- a. Do not use the chain saw in the rain or humid environment.

(3) The motor of the chain saw may generate sparks. In an environment with combustible or explosive materials, the sparks may cause fire and explosion. These can cause serious injury or death and property damage.

- a. Do not work in an environment with flammable and explosive materials.

● **WMachine safety requirements**

The chain saw is safe if it meets the following conditions:

- (1) The chain is not damaged.
- (2) The chain saw is clean and dry.
- (3) The chain saw handle is intact.
- (4) The chain saw trigger switch is operating normally.

- (5) The control program works normally and has not been modified.
- (6) The depth of the tooth groove between the sprocket and the chain should not exceed 0.5mm.
- (7) The assembly of guide plate and chain is in accordance with the instructions of this manual.
- (8) The guide plate and chain are well assembled
- (9) The chain is tensioned normally.
- (10) The original accessories of our factory can be used with the chain saw
- (11) The accessories are assembled normally.

Warning

If the product no longer meets the safety requirements, the parts cannot perform its due function or the safety mechanism cannot work normally. These conditions can cause serious or fatal injuries.

- (1) Only a good chain saw can be used. If the chain saw is dirty or wet: please clean and let it dry
- (2) Do not modify your chain saw, for example, modify the guide plate and chain.
- (3) If the control system cannot work normally, please do not use the chain saw.
- (4) Only use accessories provided by our factory.
- (5) Install the guide plate and chain according to the instructions of the manual.
- (6) For the installation of accessories, please refer to the steps in the manual.
- (7) Don't insert anything into the chain saw.

● Guide board safety instructions

If the guide plate meets the following conditions, the guide plate is safe to use:

- (1) The functions of the guide plate are intact.
- (2) The guide plate is not deformed or damaged.
- (3) There is no obvious change in the depth of the guide plate groove.
- (4) The guide rail is smooth and free of burrs.
- (5) No shrinkage or cracking in the guide groove

Warning

If the guide plate is not in a safe state, the guide plate cannot fit the chain well. There is a danger that the chain will jump out of the guide, which can cause serious or fatal injuries.

- (1) Only use undamaged guide plates.
- (2) If the guide plate groove is less than the minimum depth, please replace the guide plate with a new one.
- (3) Please remove the stains on the guide plate after operating the chain saw.
- (4) If you have any questions, please contact our dealer in time.

● Chain safety instructions

If the guide plate meets the following conditions, the chain is safe to use:

- (1) The chain is not broken.
- (2) The cutting edge of the chain blade is sharp.
- (3) The cutting depth of the cutting edge of the chain cutter head conforms to the service mark description.
- (4) The cutting edge length of the cutter head meets the grinding standard.

Warning

If the parts do not meet the safety standards, they will not be able to perform their due functions, and the safety devices will fail, resulting in serious personal injury or even death.

- (1) Do not use damaged chains.
- (2) Grind the chain cutter head according to the standard indicated in the manual.
- (3) If you have any questions, please contact the dealer in time.

▶ Operation precautions

● Cutting precautions

Warning

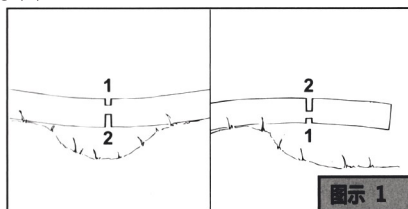
- (1) In some specific circumstances, the operator may not concentrate on the work, the operator may trip, fall and cause serious injury.
 - a. Keep calm and work with a plan.
 - b. Please do not use the chain saw in a dim and low visibility environment.
 - c. Please operate your own chain saw.
 - d. Do not exceed your shoulder height when operating the chain saw.
 - e. Beware of obstacles.
 - f. When you operate the chain saw, stand in a safe position and keep your balance.
 If you need to work at heights, please use a lift or safe scaffolding.
- (2) The saw chain in operation may hurt the user, and the user may be seriously injured.
 - a. Do not touch the saw chain in motion.
- (3) The temperature of the saw chain in operation increases and the length is long. If the saw chain cannot be effectively cooled and re-tensioned, the saw chain may jump out of the guide plate and cause it to break. These can cause serious injury and property damage.
 - a. Ensure that the saw chain lubricant is normally lubricated

- b. Check whether the saw chain tension is proper during operation. If the saw chain is slack, please adjust it in time.
- (4) If the chain saw starts abnormally and runs abnormally during work, the chain saw may be in an unsafe state, and the above may cause serious personal injury or property damage.
 - a. Stop working and contact the dealer.
- (5) The chain saw vibrates when it is running.
 - a. Please wear gloves.
 - b. Rest in time.
 - c. If there is a physical condition: Consult a doctor in time.
- (6) If the running saw chain hits a hard object, sparks will be generated. Sparks can cause a fire in an environment with combustible materials. These can cause serious injury and property damage.
 - a. Do not use the chain saw in an environment with combustible materials.
- (7) When you release the trigger, the chain saw will run for a while. May cause serious injury.
 - a. You must wait for the saw chain to stop completely.

Warning

If the tree is under tension, the guide plate may be pinched. The user will lose control of the chain saw, resulting in serious injury. (Illustration 1)

- (1) First cut a force-relief groove from the taut side (1), and then cut it in on the side that prevents loosening (2).



● Pruning precautions

- (1) If the branches under the tree are pruned first, the trunk will not be supported by the branches. The trees will roll, causing serious or fatal injuries.
 - a. Turn the main pole over and then trim the branches on it.
 - b. Do not stand on the log for trimming operations.

● Logging precautions

- (1) Inexperienced personnel are prohibited from approaching dangerous logging sites, otherwise it may cause serious or fatal personal injury and property damage.
 - a. Please do not log alone.
- (2) The branches or other objects from the fallen trees may fall on the bystanders. It may cause serious or fatal personal injury or property damage.
 - a. Judge the direction of the tree so that it can fall cleanly.
 - b. Bystanders, children, and animals are not allowed to stay within 2.5 tree lengths
 - c. Observe the canopy of the tree and the canopy of adjacent trees to ensure that there is no interference from branches when the canopy falls.

- (3) When the tree falls, the trunk may break or bounce toward the operator. Can cause serious or fatal injuries.

- a. Plan the escape route around.
- b. Observe the direction in which the tree fell, and escape to the planned escape route.
- c. Don't go uphill.

- (4) Obstacles on the work site or escape route will hinder the escapee. People fleeing may fall, Lead to serious or fatal injuries.

- a. Clean up obstacles in the work area and escape route.

- (5) If there are fixed chains or stabilizing ropes on the trunk, the tree may fall uncontrollably and prematurely, causing serious or fatal injury and property damage to the operator.

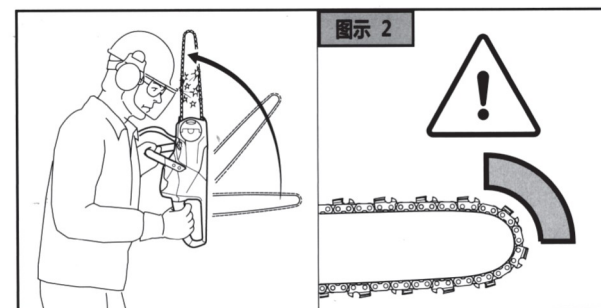
- a. Do not use hairpin chains.
- b. Finally use a stable rope.
- c. If the tree falls prematurely: Please give up logging and evacuate along the escape route.

- (6) When cutting, if the head of the guide plate touches the object or the wood clamps and squeezes the chain, it may cause rebound. Sometimes the head of the guide plate touches the object and a sudden reaction force will be formed, which will pop up the guide plate and rush towards the operator. The operator is injured.

- (7) If the direction in which the tree falls is uncontrollable or falls on top of other trees. Operators cannot complete logging operations in a controlled manner.

- a. Stop logging operations and use ropes to select suitable vehicles to pull down trees.

● Rebound warning

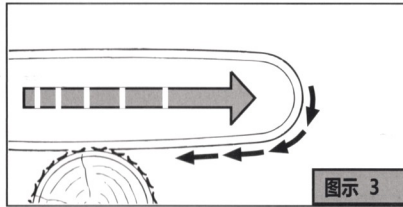


The following conditions may cause the chain saw to rebound:

- (1) The guide head of the running chain saw touches a hard object or makes an emergency brake.
- (2) The head of the running chain saw guide plate is touched.

● Tension warning

When using the guide plate to cut from top to bottom, the pulling force of the chain saw is facing the opposite direction of the operator.

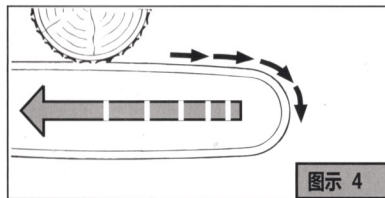


If the running chain saw touches a hard object and is clamped, the electric chain saw will suddenly leave the operator, and the operator will lose control of the chain saw. Cause serious or fatal injury.

- Grasp the chain saw handle tightly.
- Operate the chain saw as described in the manual.
- Keep the guide plate straight and cut.
- Please use full speed when cutting.

● Thrust warning

When using the guide plate to cut from bottom to top, the direction of the chain saw thrust is toward the operator.



If the running chain saw touches a hard object and is clamped, the electric chain saw will suddenly leave the operator, and the operator will lose control of the chain saw. Cause serious or fatal injury.

- Grasp the chain saw handle with both hands.
- Operate the chain saw as described in the manual.
- Keep the guide plate straight and cut.
- Please use full speed when cutting.

▶ Cleaning, maintenance and repair

(1) If the battery pack is not disconnected from the tool during cleaning, maintenance and repair, the chain saw may start suddenly. This leads to serious injury and property damage.

- Cut off the power supply.
- Remove the working head of the chain saw.
- Remove the guide plate and chain.

(2) Corrosive cleaning agents, high-pressure cleaning equipment or sharp cleaning tools may damage the chain saw, guide plate, chain, battery pack and charger. If the chain saw, guide plate, chain, battery pack, and charger cannot be cleaned in the correct way, the relevant parts may not function as they should, or the safety device may not function, which may cause serious injury.

- Clean the chain saw, guide plate, chain, battery pack and charger according to the instructions.

(3) If the chain saw, guide plate, chain, battery pack and charger cannot be cleaned and maintained in the correct way, the parts cannot perform the due function, or the safety device no longer functions, these will cause serious injury.

- Do not try to maintain or repair the chain saw, battery pack, and charger.
- If the chain saw, battery pack, and charger require maintenance: please contact the dealer in time.
- Maintain and repair the guide plate and chain as described in the manual.

(5) When cleaning and maintaining the chain saw, the user may be injured by the sharp blade, which may cause personal injury: a. Please wear cut-resistant gloves.

▶ Inspection items before operation

Inspection items before operation:

(1) Ensure that the following parts are in a safe state:

- Chain saw host
- Guide plate
- Chain
- Battery pack
- Charger

(2) Check the battery pack

(3) The battery pack must be fully charged

(4) Clean the chain saw

(5) Install guide plate and chain

(6) Tension chain

(7) Check the control system

(8) If you do not understand the above operation: please do not use the chain saw, contact the dealer as soon as possible.

► Chain saw assembly

⚠ Please cut off the power when proceeding to the next step!

● Installation of chain and guide plate

1. Turn off the chain saw and unplug the battery pack.
2. Use a wrench to turn the nut counterclockwise and remove the sprocket cover, as shown in the Figure 1
3. Put the chain into the groove of the guide, and refer to the arrow mark on the main body of the chain saw for the direction of the blade edge, then insert the guide fixed hole into the guide fixed column. (Note: Both sides of guide can be installed) as shown in Figure 2.
4. Cover the guide cover, turn the knob slightly to flip the cover, be careful not to tighten, as shown in Figure 3.
5. Use a screwdriver to adjust the tension adjustment bolt to a proper position, as shown in Figure 4.
6. Turn knob tightly to complete the installation, as shown in Figure 5.

● Tighten the chain

When the chain saw is working, the chain may be stretched. If necessary, adjust the chain tightness according to the operating specifications.

1. Turn off the chain saw and cut the power supply.
2. Open the knob cover, loosen the knob holder, loosen it, no need to disassemble, as shown in Figure 3.
3. Use a screwdriver to adjust the tension adjustment bolt to a proper position, as shown in Figure 4.
 - a. The chain can be easily pulled along the guide plate groove.
 - b. Pull the chain by hand, you can see that half of the driving teeth are outside the guide plate groove.
4. Turn knob tightly to complete the installation, as shown in Figure 5.



● Add chain oil

1. Turn off the chain saw and disconnect the power supply.
2. Unscrew the lid of the oil and add lubricating oil, as shown in Figure 1.
3. Tighten the lid of the oil and squeeze the soft lid once before use, as shown in Figure 2.



● Start detection

1. Please make sure that there are no children or other people within 50 feet (15 meters) of the work site, and pay attention to whether there are animals around.
2. Power on: Install the battery until the battery pack is locked and clicks. Press the power switch for 3 seconds to display the battery level. Figure 1.
3. Hold the handle with your hand, press the lock button with your thumb, and press the trigger with your index finger, and the machine starts normally. As shown in Figure



► Operation of the one-handed chainsaw

This machine is a single-hand saw, suitable for single-handed operation. There is only one control handle. Don't get close to any part during operation.

⚠ A Warning! If the saw chain rebounds, the saw chain will bounce towards the operator, which may cause serious or fatal injuries.

- a. Always cut at full speed when cutting.
- b. Do not cut with the head of the guide plate.
- c. When starting to cut, keep the chain saw at full speed and the guide plate vertical.
- d. According to the width of the guide, the head of the guide should expose the cut trees.
- e. Add the weight of the chain saw to the guide plate.



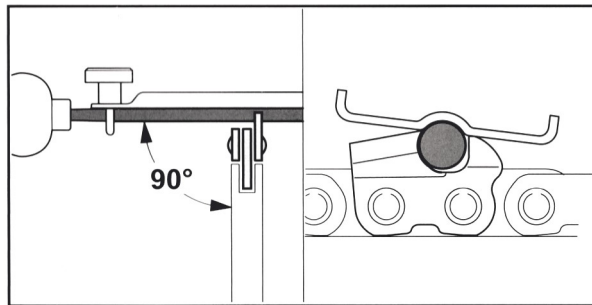
► Chain saw cleaning

- (1) Chain saw cleaning
 - a. Turn off the chain saw and cut off the power supply.
 - b. Wipe the chain saw body with a damp cloth.
 - c. Remove the sprocket guard.
 - d. Clean the periphery of the sprocket and the body part with a damp cloth.
 - f. Use a softer brush when cleaning the battery pack charger.
 - g. Install the sprocket cover.
- (2) Clean guide plate and chain saw
 - a. Turn off the chain saw and cut off the power supply.
 - b. Remove the guide plate and chain.
 - c. Use a soft brush to clean the rear groove of the guide plate.
 - d. Use a soft brush to clean the chain.
 - e. Install the guide plate and chain.

► Maintenance

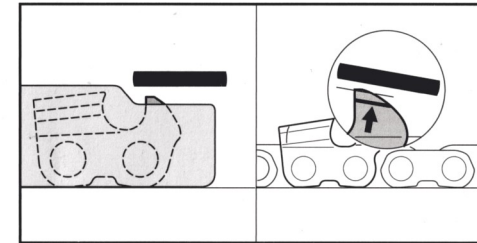
- (1) Maintenance and maintenance of sprocket
 - a. The user cannot disassemble the sprocket by himself.
 - b. If the sprocket is damaged or defective: please do not use the equipment and contact the dealer for replacement in time.
- (2) Maintain the guide plate: If there are burrs on the edge of the guide plate groove, please polish it in time.
 - a. If you have any questions: please contact our dealer in time
- (3) Grinding chain

It is not advisable to use ordinary circular knives to polish the chain with special circular knives for chains.



(4) The knives should only be polished forward and unidirectionally. Do not make the knives contact the saw blade when retracting backwards. Polish the shortest saw blade first. The length of the saw blade is used as the reference size of other saw blades on the chain:

- a. The circular blade must match the chain pitch.
- b. The circular inner knife frustrates the head from the inside out.
- c. Grind in one direction according to the angle of the cutter head.
- d. Please keep the angle of the cutting edge.



- e. According to the depth of the guide plate groove, the small teeth of the cutter head are wrong. (See picture)
- f. If you have any questions, please contact the dealer in time.

● Precautions for battery use and maintenance

1. Do not charge in an environment lower than 0°C and higher than 45°C, which may damage the battery breaker
2. Please make sure that the switch is in the off position before connecting the battery. Connecting the battery to the lithium chain saw when the switch is on is prone to accidents.
3. Only use the charger specified by the manufacturer to charge the battery. Using a charger that does not match the battery to charge the battery may cause fire and other dangers.
4. When the battery is not in use, keep it away from paper clips, coins, keys, nails, screws and other small metal objects that can short-circuit the battery. Short-circuiting the battery may cause burns or fire.
5. It is forbidden to disassemble or reassemble the battery.
6. Do not short-circuit the battery.
7. It is forbidden to use it beside heat sources.
8. It is forbidden to throw the battery into fire or water.
9. It is forbidden to charge near fire or under sunlight.
10. It is forbidden to insert nails into the battery, hit or throw the battery with hammer or foot.
11. Prohibit seriously damaged or deformed batteries.
12. Direct welding on the battery is prohibited.
13. It is forbidden to charge the battery in reverse, reverse connection or over discharge
14. It is forbidden to connect the battery to the charging socket or the car cigarette lighter socket.

► Rechargeable chain saw safety warning

(1) When the chain saw is in working condition, keep a certain distance between the body parts and the chain saw. Before starting the chain saw, make sure that the chain is not in contact with anything. During operation of the chain saw, even a moment of distraction may cause clothing or body to be caught in the chain.

(2) Be sure to hold the rear handle of the chain saw with your right hand and the front handle of the chain saw with your left hand. Holding the chain saw with both hands upside down will increase the risk of personal injury. Therefore, never grasp the rear handle with your left hand and grasp the front handle with your right hand.

(3) Because the chain may touch hidden wires. When operating the tool, only hold the insulated handle. When the chain comes into contact with a live wire, the exposed metal part of the tool may also be live. And make the operator electrocuted.

(4) Please wear glasses and ear protectors. It is recommended to further wear protective equipment to protect the head, hands, legs and feet. Full wearing protective clothing will reduce personal injury caused by flying debris or accidentally touching the chain.

(5) Do not operate the chain saw on the tree. Operating the chain saw on the tree may cause personal injury.

(6) Make sure to stand firm and stand on a fixed, safe and level surface before operating the chain saw. Slippery or unstable surfaces, such as ladders, may cause the body to lose balance or lose control of the chain saw.

(7) When cutting a branch under tension, beware of rebound. When the tension on the wood fiber is released, the elastic force on the branch may impact the operator, or the chain saw may cause it to lose control.

(8) When cutting shrubs and saplings, please be especially careful that slender materials may jam the chain and hit yourself or cause your own imbalance.

(9) Before carrying the chain saw, close the chain saw and hold the front handle firmly to keep a certain distance from the body. When transporting or storing the chain saw, be sure to close the guide cover. Properly operating the chain saw will reduce the possibility of accidental contact with a running chain.

(10) Lubricate, tension the chain, and replace accessories according to the instructions. Improperly tensioning or lubricating the chain may cause the chain to break or increase the possibility of rebound.

(11) Keep the handle dry, clean, free of oil and grease. Greasy handles are prone to slippage and cause the tool to lose control.

(12) Only used for cutting wood. Do not use the chain saw for purposes other than the intended purpose. For example: Do not use a chain saw to cut plastic, stone, or non-wood building materials. The use of the chain saw for operations other than the intended purpose will result in dangerous situations.

► Reasons for tool rebound and operator's preventive measures

(1) If the head of the guide plate touches an object or the wood clamps and squeezes the chain during cutting, it may cause rebound.

(2) Sometimes when the head of the guide plate touches an object, a sudden reaction force will be formed, which will pop up the guide plate and rush towards the operator.

(3) Squeezing the chain along the upper part of the guide plate may quickly push the guide plate back to the operator. Any of these reaction forces may cause the chain saw to lose control and cause serious personal injury.

(4) Do not rely solely on the safety equipment installed on the chain saw.

(5) As a chain saw user, you should take a variety of measures to prevent accidents or personal injury during cutting operations.

(6) Misoperation of tools, incorrect operation steps or operating conditions will cause rebound. Observe the precautions described below to avoid:

a. Keep a firm grip, and hold the chain saw handle with both thumbs and the rest of your fingers. Adjust the position of the body and arms to prevent rebound forces. If you follow the correct precautions, the operator can control the rebound force, please be careful to operate.

b. Do not extend the tool too far and do not cut higher than the shoulder. This will help prevent the head of the guide plate from touching the object and better control the tool in unexpected situations.

c. Please use only replacement guides and chains specified by the manufacturer. Using inappropriate replacement guides and chains may cause the chain to break and or rebound.

d. Follow the manufacturer's polishing and maintenance instructions to maintain the chain. Reducing the depth and height will cause frequent rebounds.

► After-sales service

If you have any questions during use, please contact us in time (see next page for contact information), we have professional personnel to answer questions and problems for you, and let qualified maintenance personnel use exactly the same replacement parts to repair the lithium battery Chain saw, so you can maintain the safety performance of lithium chain saw.

► Statement

The company reserves the right to make technical improvements to the products described in this manual. If there is any change, please understand! If the graphic images and text descriptions involved in this manual are different from the actual product, please refer to the actual product!

Thank you for purchasing our company's lithium chain saw. If you need to know more, please visit our official website or call us!