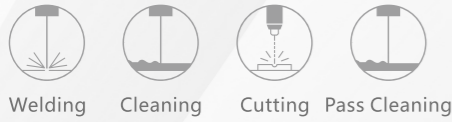


SUP23T

功率等级3000W
Power Class

手持激光焊接头 (四合一)
Handheld Laser Welding Head(Four In One)



WELDING SERIES

XIANMING LASER

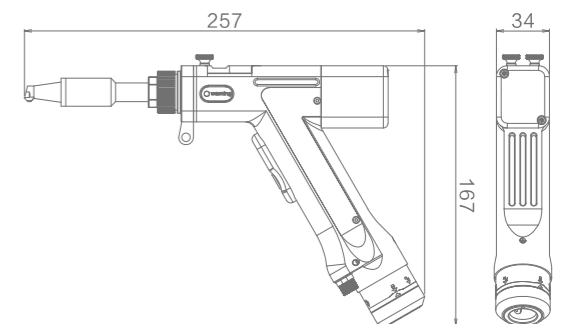
产品特点 PRODUCT FEATURES

- 安全-万无一失 Safety - Perfectly safe**
自主研发安全检测系统，内置温度实时监控
Independent research and development of security detection system, set up a number of security alarms, security and stability.
- 省时-高效便捷 Time saving - Efficient and Convenient**
聚焦镜、保护镜抽屉化，准直镜与QBH一体，可拔插，方便现场更换。
Focus mirror, protection mirror drawer, convenient replacement. Collimating len is integrated with QBH for easy replacement.
- 轻便-轻巧减负 Lightness - Light and Convenient**
与上一代相比，重量进一步减轻，操作更灵活，上手更简单，握感更舒适。
Smaller size, lighter weight, flexible operation, easy to use and more comfortable.
- 品质-焊接美观 性能稳定 Quality - Beautiful welding - Stable performance**
光学结构进一步优化，焊接强度高，变形小，熔深高
Optical structure optimization, high welding strength, small deformation, high penetration.
- 性能-多重功能 Performance - Multiple functions**
支持手持连续焊接，点焊，清洗，焊道清洗，切割，“手”“自”一体，密码授权，实时监控所有接口，方便现场维护，远程支持
Support hand-held continuous welding, spot welding, cleaning, cutting, and pass cleaning, manual and automatic integration, password authorization. Real-time monitoring of all interfaces, Convenient for on-site maintenance and remote technical support.

产品参数 PRODUCT PARAMETERS

适用范围 Scope of application	≤3000W
准直焦距 Collimating focal length	D16 F60mm
聚焦焦距 Focusing focal length	D20 F150mm
最大气压 Max. Atmospheric pressure	15Bar
垂直调焦范围 Vertical focusing range	±10mm
光斑调节范围 Light spot adjustment range	Line0-8mm
适用波长 Applicable wavelength	1070nm
重量 Weight	0.7kg

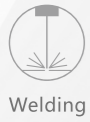
产品尺寸 PRODUCT SIZE



SUP23S

功率等级3000W
Power Class

手持激光焊接头 (双保护镜)
Handheld Laser Welding Head(Double Protective Lens)



Welding



WELDING SERIES

XIANMING LASER

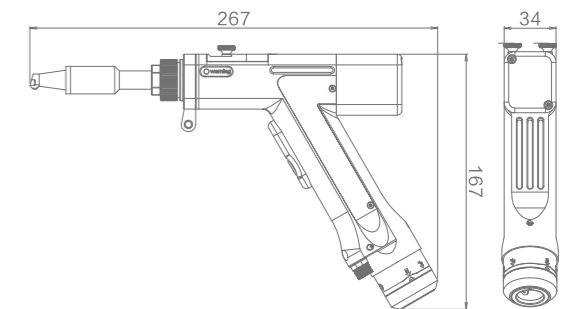
产品特点 PRODUCT FEATURES

- 安全-万无一失 Safety - Perfectly safe**
自主研发安全检测系统，内置温度实时监控
Independent research and development of security detection system, set up a number of security alarms, security and stability.
- 省时-高效便捷 Time saving - Efficient and Convenient**
聚焦镜、保护镜抽屉化，准直镜与QBH一体，可拔插，方便现场更换。
Focus mirror, protection mirror drawer, convenient replacement. Collimating len is integrated withQBH for easy replacement.
- 轻便-轻巧减负 Lightness - Light and Convenient**
与上一代相比，重量进一步减轻，操作更灵活，上手更简单，握感更舒适。
Smaller size, lighter weight, flexible operation, easy to use and more comfortable.
- 品质-焊接美观 性能稳定 Quality - Beautiful welding - Stable performance**
光学结构进一步优化，焊接强度高，变形小，熔深高
Optical structure optimization, high welding strength, small deformation, high penetration.
- 性能-双保护镜 Performance - Double Protective Lens**
支持连续焊接，点焊，鱼鳞纹焊。采用双保护镜设计，减少聚焦镜消耗，使产品更稳定。支持手持焊，亦可用于机器手焊接。支持所有输出输入信号实时监控，以便现场维护和远程技术支持。
Support hand-held continuous welding, spot welding, and fish scale welding. Double protection lens design, reduce the consumption of focusing lens, make products more stable. Support hand welding, can also be used for robot. Support all output, input signal real-time monitoring, convenient for on-site maintenance and remote technical support.

产品参数 PRODUCT PARAMETERS

适用范围 Scope of application	≤3000W
准直焦距 Collimating focal length	D16 F60mm
聚焦焦距 Focusing focal length	D20 F150mm
最大气压 Max. Atmospheric pressure	15Bar
垂直调焦范围 Vertical focusing range	±10mm
光斑调节范围 Light spot adjustment range	Line0-8mm
适用波长 Applicable wavelength	1070nm
重量 Weight	0.7kg

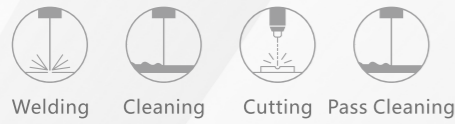
产品尺寸 PRODUCT SIZE



SUP21T

功率等级3000W
Power Class

手持激光焊接头 (四合一)
Handheld Laser Welding Head(Four In One)



Welding Cleaning Cutting Pass Cleaning

产品特点 PRODUCT FEATURES

- 安全-万无一失 Safety - Perfectly safe**
自主研发安全检测系统，内置温度实时监控
Independent research and development of security detection system, set up a number of security alarms, security and stability.
- 省时-高效便捷 Time saving - Efficient and Convenient**
聚焦镜、保护镜抽屉化，准直镜与QBH一体，可拔插，方便现场更换。
Focus mirror, protection mirror drawer, convenient replacement. Collimating len is integrated with QBH for easy replacement.
- 轻便-轻巧减负 Lightness - Light and Convenient**
与上一代相比，重量进一步减轻，操作更灵活，上手更简单，握感更舒适。
Smaller size, lighter weight, flexible operation, easy to use and more comfortable.
- 维护-方便维护 Maintenance - Easy to maintain**
增加电机维护窗口，方便中心调节
Add motor maintenance window to facilitate center adjustment.
- 品质-焊接美观 性能稳定 Quality - Beautiful welding - Stable performance**
光学结构进一步优化，焊接强度高，变形小，熔深高
Optical structure optimization, high welding strength, small deformation, high penetration.
- 性能-多重功能 Performance - Multiple functions**
支持手持连续焊接，点焊，清洗，焊道清洗，切割，“手”“自”一体，密码授权，实时监控所有接口，方便现场维护，远程支持
Support hand-held continuous welding, spot welding, cleaning, cutting, and pass cleaning, manual and automatic integration, password authorization. Real-time monitoring of all interfaces, Convenient for on-site maintenance and remote technical support.



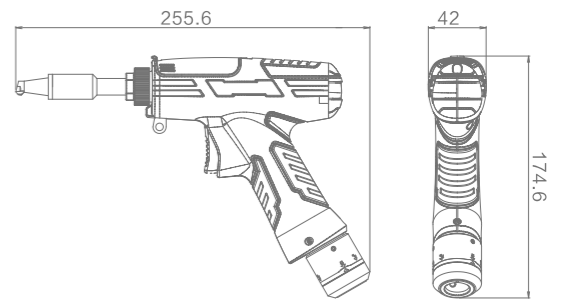
WELDING SERIES

XIANMING LASER

产品参数 PRODUCT PARAMETERS

适用范围 Scope of application	≤3000W
准直焦距 Collimating focal length	D16 F60mm
聚焦焦距 Focusing focal length	D20 F150mm
最大气压 Max. Atmospheric pressure	15Bar
垂直调焦范围 Vertical focusing range	±10mm
光斑调节范围 Light spot adjustment range	Line0-8mm
适用波长 Applicable wavelength	1070nm
重量 Weight	0.7kg

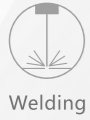
产品尺寸 PRODUCT SIZE



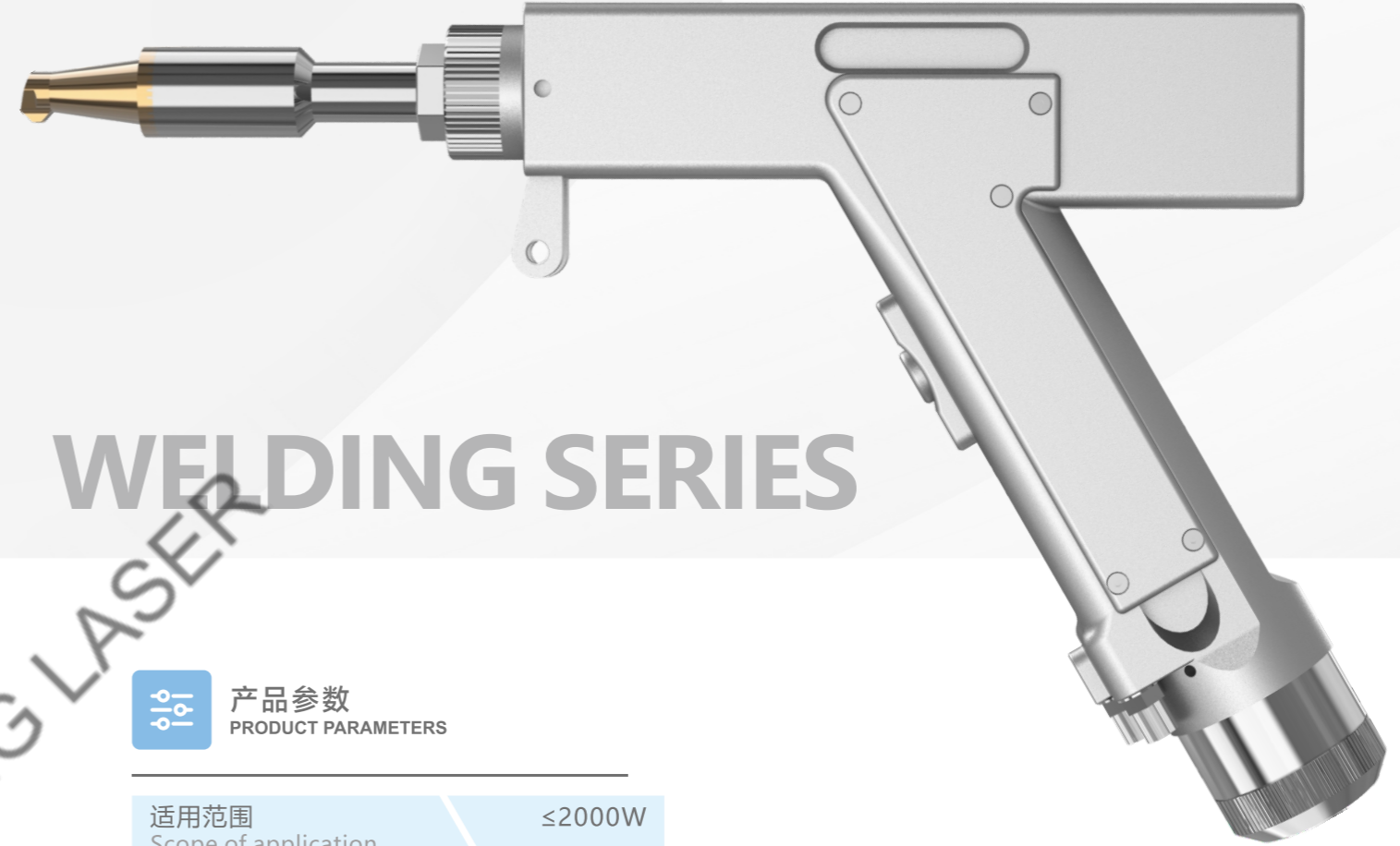
SUP20S

功率等级2000W
Power Class

手持激光焊接头
Handheld Laser Welding Head



Welding



WELDING SERIES

XIANMING LASER

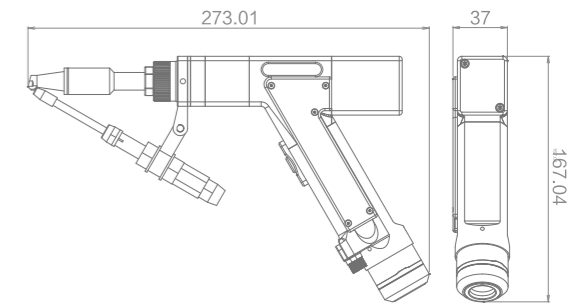
产品特点 PRODUCT FEATURES

- 安全-万无一失 Safety - Perfectly safe**
自主研发安全检测系统，内置温度实时监控
Independent research and development of security detection system, set up a number of security alarms, security and stability.
- 省时-高效便捷 Time saving - Efficient and Convenient**
聚焦镜、保护镜抽屉化，准直镜与QBH一体，可拔插，方便现场更换
Focus mirror, protection mirror drawer, convenient replacement. Collimating len is integrated with QBH for easy replacement.
- 轻便-轻巧减负 Lightness - Light and Convenient**
体积小，重量更轻，操作更灵活，上手更简单
Small size, light weight, flexible operation, easy to use and simply to operate.
- 品质-焊接美观 性能稳定 Quality - Beautiful welding - Stable performance**
光学结构进一步优化，焊接强度高，变形小，熔深高
Optical structure optimization, high welding strength, small deformation, high penetration.
- 性能-多重功能 Performance - Multiple functions**
支持手持连续焊接，点焊，“手”“自”一体，密码授权，实时监控所有信号接口，以便现场维护和远程技术支持
Support hand-held continuous welding, spot welding, manual and automatic integration, password authorization. Real-time monitoring of all interfaces, convenient for on-site maintenance and remote technical support.

产品参数 PRODUCT PARAMETERS

适用范围 Scope of application	≤2000W
准直焦距 Collimating focal length	D20 F60mm
聚焦焦距 Focusing focal length	D20 F150mm
最大气压 Max. Atmospheric pressure	15Bar
垂直调焦范围 Vertical focusing range	±10mm
光斑调节范围 Light spot adjustment range	Line0-5mm
适用波长 Applicable wavelength	1070nm
重量 Weight	0.7kg

产品尺寸 PRODUCT SIZE



SUP22C

功率等级3000W
Power Class

手持激光清洗头
Handheld Laser Cleaning head



Cleaning

CLEANING SERIES



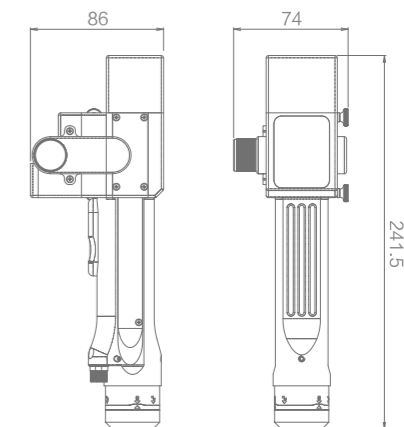
产品特点 PRODUCT FEATURES

- 安全-万无一失 Safety-Foolproof**
自主研发安全检测系统，枪头安全锁避免放置不用时污染镜片，以安全锁和扳机双项控制使能，扳机增加单击/双击切换模式，多重保险避免意外出光。
Independent R&D safety detection system. Gunhead safety lock is used to prevent the lens from being polluted when it is not used. Safety lock and trigger are used control enable. Add switch mode of single click/double click to the trigger, multiple safety controls are used to avoid accidental to output laser.
- 维护-简单便捷 Maintenance-Simple and convenient**
电气接口自检测，聚焦镜片可现场更换。内部温度实时监控，避免镜片、枪体损坏。
Self-checking on electrical interface. Focus lens can be replaced on site. Monitor internal temperature in real time. Avoid the damage to the lens and gunbody.
- 效果-清洗快速 Effect-Fast cleaning**
系统升级，支持F400、F600、F800，多种聚焦镜，即可采用大幅面清洗，也可采用高能量密度清洗。采用全新的光路设计，清洗轨迹为直线，告别圆弧轨迹遗漏的边角。
System upgrade, support F400, F600, F800, multiple focus lens. Can use wide breadth cleaning, also can use high-energy density cleaning. Use new optical path design, the cleaning track is straightline, and corner missed by arc track is eliminated.
- 性价比-降本增效 Cost-effective-Cost reduction and Efficiency increase**
速度快，独特的气路设计，降低耗材消耗，提供长期稳定的清洗，节能环保
Fast speed, unique gas path design, reduce consumable consumption, provide long-term stable cleaning, energy saving and environmental protection.

产品参数 PRODUCT PARAMETERS

适用范围 Scope of application	≤3000W
准直焦距 Collimating focal length	D16 F60mm
聚焦焦距 Focusing focal length	D20 F800mm
最大气压 Max. Atmospheric pressure	15Bar
光斑调节范围 Light spot adjustment range	Line0-300mm
适用波长 Applicable wavelength	1070nm
重量 Weight	0.8kg

产品尺寸 PRODUCT SIZE

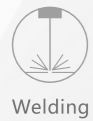


SUP20SW150

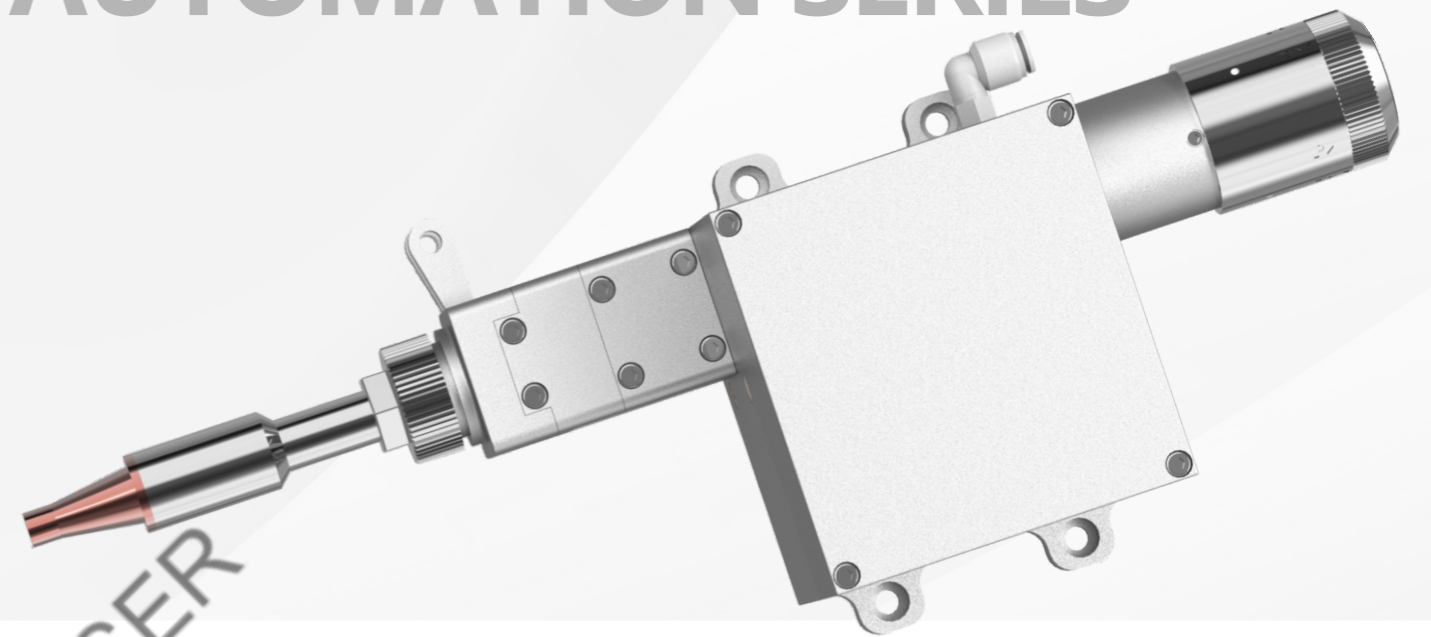
功率等级2000W
Power Class

AUTOMATION SERIES

光纤摆动焊接头
Optical Fiber Swing Welding Head



Welding



产品特点 PRODUCT FEATURES

精密焊接 Seal-Highly dustproof
此焊接头在自动焊接应用方面有很强的优势，是一款经济高效的焊接头
This welding head has strong advantages in automatic welding applications and is a cost-effective welding head

光斑双轴摆动 Light spot biaxial swing
焊接采用振镜电机驱动X、Y轴镜片摆动，具有多种摆动模式，且摆动焊接允许工件有不规则拼接、更大间隙等加工参数可以显著提高焊接质量
The welding head adopts galvanometer motor to drive X, Y-axis lens swing, with multiple swing modes, and swing welding allows work pieces to have irregular splicing, larger gaps and other processing parameters, which can significantly improve welding quality

密封-高度防尘 Precision welding
焊接头内部结构完全密封，可以避免光学部份受到灰尘污染，减少焊接烟尘和飞溅残渣对镜片的污染。保护镜片聚焦镜片采用抽屈式结构，更换方便，可随时更换不同焦距的聚焦镜片
Internal structure of the welding head is completely sealed, which can prevent the optical part from being polluted by dust and reduce the pollution of the lens by welding fumes and splash residues. Protective lens The focus lens adopts a retractable structure, which is convenient to replace, and the focus lens of different focal lengths can be replaced at any time

稳定-持久耐用 Stable - Durable
整体通透式水冷，确保长时间稳定工作
Overall transparent water cooling to ensure long-term stable work

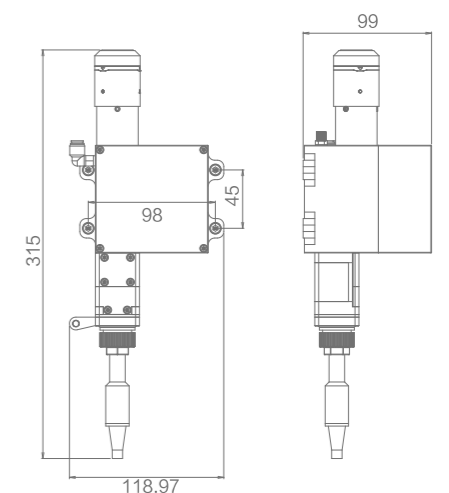
兼容-高适配性 Compatibility - High adaptability
适配QBH接口，适用于IPG, SPI, Ronfin, nLight, 锐科, 创鑫, 热刺, 凯普林, 杰普特, 光惠各种激光器
Adapted to QBH interface, suitable for IPG, SPI, Ronfin, nLight, Raycus, Chuangxin, Tottenham, Keplin, JPT, Guanghui and various lasers

轻便-轻巧减负 Light - Lightweight
体积轻巧，设计结构紧凑，降低机床机械负载
Lightweight, compact design structure, reduce the mechanical load of the machine tool

产品参数 PRODUCT PARAMETERS

适用范围 Scope of application	≤2000W
准直焦距 Collimating focal length	D16 F60mm
聚焦焦距 Focusing focal length	D20 F150mm
最大气压 Max. Atmospheric pressure	15Bar
有效通光孔径 Effective clear aperture	12mm
重量 Weight	1.4kg

产品尺寸 PRODUCT SIZE



控制系统

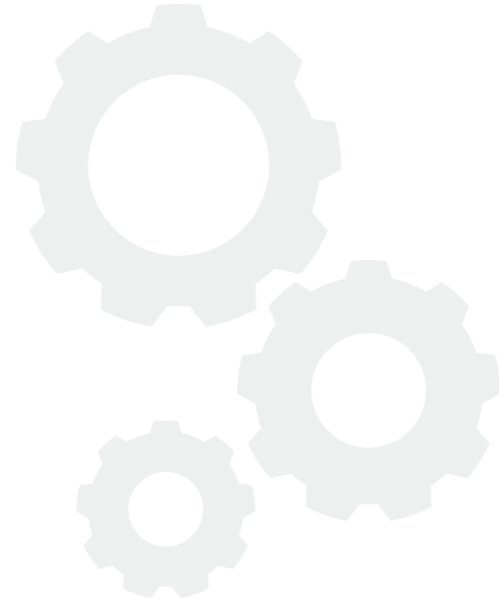
Control System

水冷风冷通用

Applicable for water cooling and air cooling

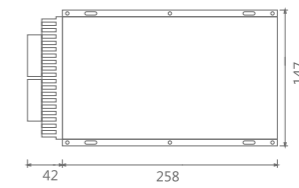
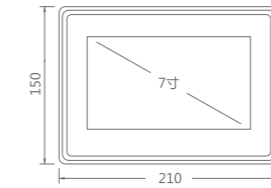
支持连续焊接、清洗、点焊、切割，焊道清洗，自动焊接控制，密码授权等功能。适用于手持激光焊接系统、清洗系统、四合一系统、风冷系统，水冷系统，支持19种语言。

Support continuous welding, spot welding, cleaning, cutting, pass cleaning, automatic welding control, password authorization and other functions. Applicable for hand-held laser welding system, cleaning system, 4-in-1 system, air cooling system, water cooling system, support nineteen languages.



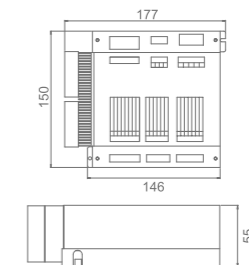
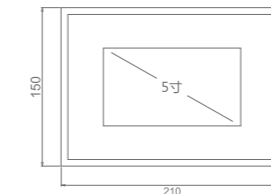
SUP-LCS

清洗系统 CLEANING SYSTEM



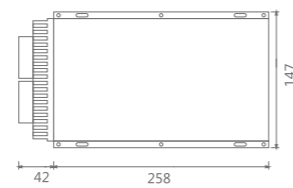
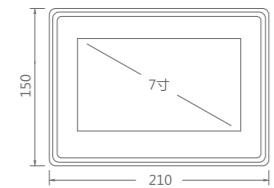
SUP-ACS

焊接系统 WELDING SYSTEM



SUP-LWS

焊接系统 WELDING SYSTEM



XIANMING LASER

多功能自动送丝机 MULTI FUNCTIONAL AUTOMATIC WIRE FEEDER

SUP-AMF-A

多功能自动送丝机

Multi Functional Automatic Wire Feeder

特点 Features:

触摸显示器, 四轮双驱送丝机构, 送丝速度15-600cm/min连续可调, 支持连续送丝模式及脉冲模式。

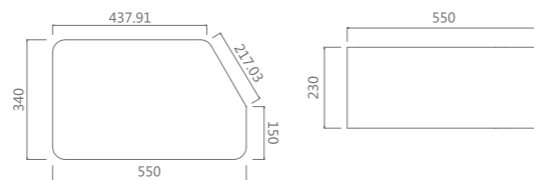
Touch screen display, four-wheel dual-drive wire feeding structure, feeding speed 15-600cm/min, continuously adjustable, support continuous wire feeding mode and pulse wire feeding mode.

支持焊丝直径 Support wire diameter:

0.8/1.0/1.2/1.6mm
可定制2.0/2.5mm(can be customized)



尺寸 Size:



SUP-AMF-B

多功能自动送丝机

Multi Functional Automatic Wire Feeder

特点 Features:

传统物理按键, 操作方便快捷, 送丝速度15-600cm/min连续可调, 支持连续送丝模式及脉冲模式。

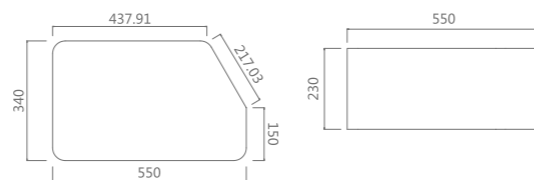
Traditional physical keys, easy to operate, feeding speed 15-600cm/min, continuously adjustable, support continuous wire feeding mode and pulse wire feeding mode.

支持焊丝直径 Support wire diameter:

0.8/1.0/1.2/1.6mm
可定制2.0/2.5mm(can be customized)



尺寸 Size:



SUP-AMF-AS

多功能步进自动送丝机

Multi Functional Stepping Automatic Wire Feeder

特点 Features:

触摸显示器, 四轮双驱送丝机构, 送丝速度5-600cm/min连续可调, 支持连续送丝模式及脉冲模式。

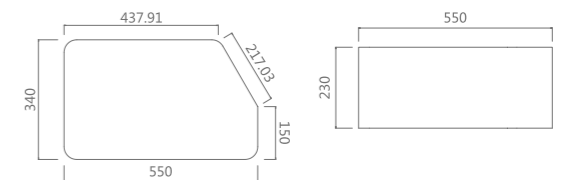
Stepping motor, touch screen display, four-wheel dual-drive wire feeding structure, feeding speed 5-600cm/min, continuously adjustable, support continuous wire feeding mode and pulse wire feeding mode.

支持焊丝直径 Support wire diameter:

0.8/1.0/1.2/1.6mm
可定制2.0/2.5mm(can be customized)



尺寸 Size:



SUP-AMF-D

多功能双丝自动送丝机

Multi Functional Double Automatic Wire Feeder

特点 Features:

触摸显示器, 送丝速度15-60cm/min连续可调, 支持连续送丝模式, 脉冲模式, 单丝模式, 双丝模式, 支持双丝同步调节。

Touch screen display, feeding speed 15-60cm/min, continuously adjustable, support continuous wire feeding mode and pulse wire feeding mode. Single wire feeding or double wire feeding is optional.

支持焊丝直径 Support wire diameter:

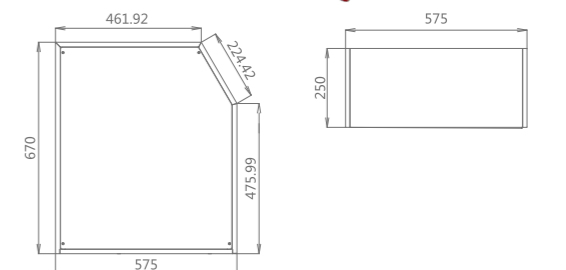
0.8/1.0/1.2/1.6mm

双丝支持焊丝直径 Support wire diameter:

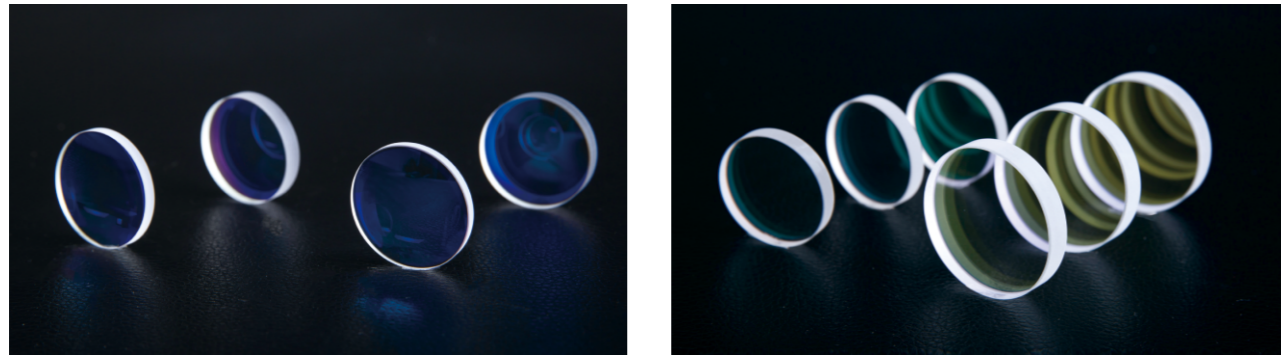
1.6/2.0mm
可定制2.5mm(can be customized)



尺寸 Size:



光学镜片 Optical Lens

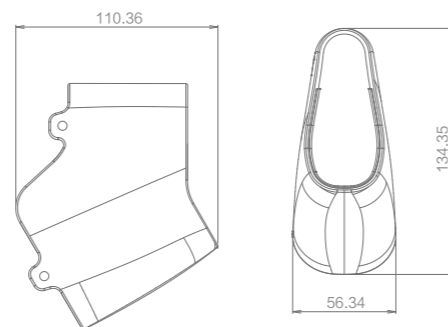


适用我司焊接、清洗产品的聚焦镜，准直镜，反射镜，窗口保护镜。
采用进口石英晶体材质，适用1500w-3000w，耐高温、抗激光，双面增透膜。

Applicable to our welding, cleaning products of focusing lens, collimating lens, reflective lens, and protective lens. Imported quartz crystal material, applicable for 1500-3000W, high temperature resistance, laser resistance, double anti-reflection film.

镜片名称 Name of lens	规格型号 Specification	适用产品 Applicable Products
保护镜片 Protective Lens	D18*2	20S/T、21T、23S/T、SW150
	D30*5	22C
聚焦镜片 Focusing Lens	D20*4.5-F150/F200	20S/T、21T、23S/T、SW150
	D20*4.5-F400/800	21C、22C
准直镜片 Collimating Lens	D20-F60	20S/T
	D16-F60	21T、21C、22C、23S/T、SW150
反射镜片 Reflective Lens	30*14*2	20S/T、21T、23S/T
	20*15.2*1.6	22C、SW150
	15.2*15.2*1.6	SW150

手持焊接枪套 Handheld Welding Holster



铜嘴+刻度管 Nozzle and Graded tube



铜嘴AS-12
Nozzle

适用 Application :
0.8mm、1.0mm、1.2mm



铜嘴BS-16
Nozzle

适用 Application :
1.6mm



铜嘴CS-12
Nozzle

适用 Application :
0.8mm、1.0mm、1.2mm



铜嘴C
Nozzle

适用 Application :
不送丝



铜嘴ES-12
Nozzle

适用 Application :
0.8mm、1.0mm、1.2mm



铜嘴FS-16
Nozzle

适用 Application :
1.6mm



切割嘴
Cutting Nozzle

适用 Application :
单层1.5



铜嘴AS-16D
Nozzle

适用 Application :
双送丝 Double wire feeding 1.6mm



铜嘴AS-20D
Nozzle

适用 Application :
双送丝 Double wire feeding 2.0mm

刻度管FT70
Graded tube



聚焦 Focus : F150
适用 Application :
20S/20T/SW150/23S

刻度管FT80
Graded tube



聚焦 Focus : F150
适用 Application :
23T/21T

刻度管FT107
Graded tube



聚焦 Focus : F200
适用 Application :
20S/20T/SW150/23S

刻度管FT125
Graded tube



聚焦 Focus : F200
适用 Application :
23T/21T