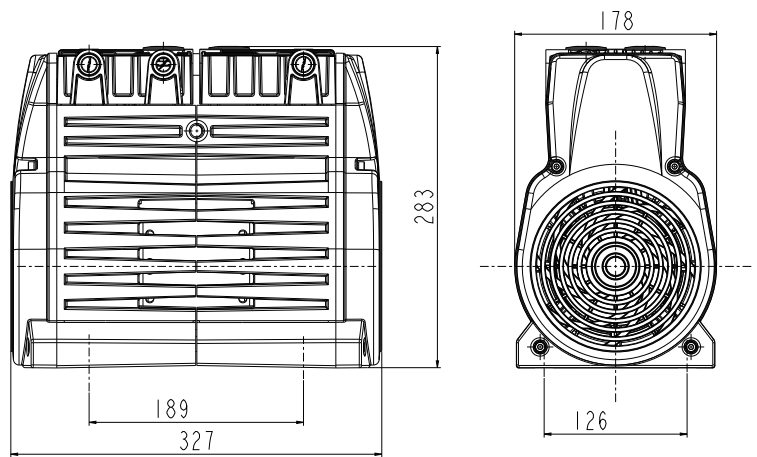
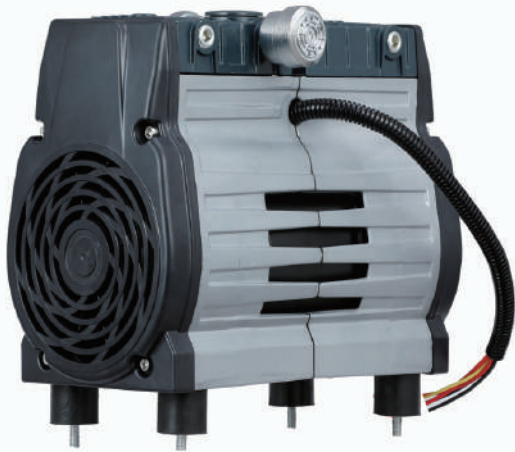


# AC Oil Free Air Compressor



## Technical Specification

<b>Model Number</b>	HC1800A-90/10
<b>Head configuration</b>	Pressure parallel fow
<b>Voltage</b>	220V/50Hz/1
<b>Power</b>	≤1700W
<b>Air flow rate</b>	90L/min@1000Kpa
<b>Speed at rated pressure</b>	1400rpm
<b>Dimension</b>	327x178x283mm
<b>Net weight</b>	21 kg
<b>Motor insulation class</b>	F

Performance Chart - Flow VS. Pressure

