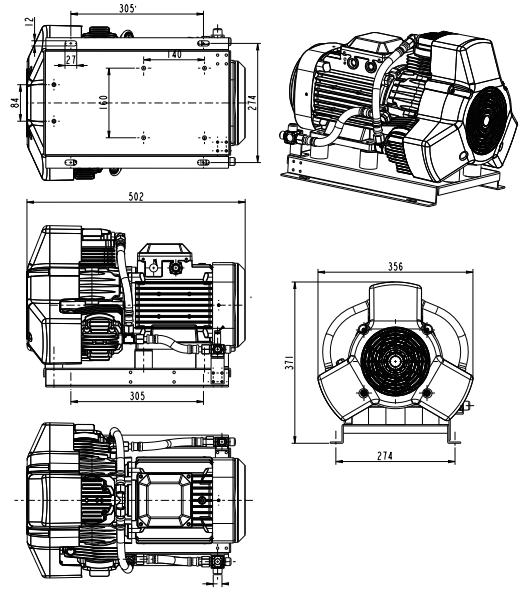
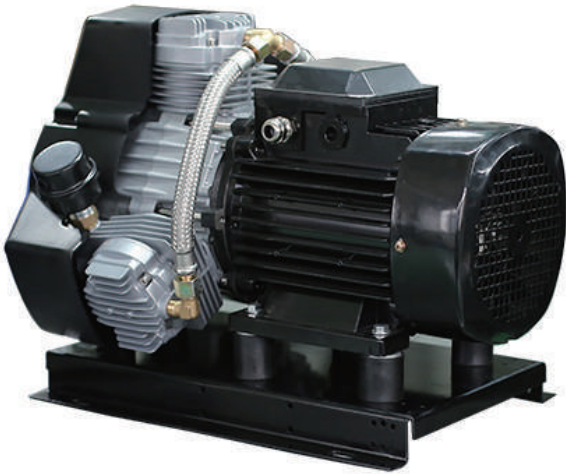


# AC Oil Free Air Compressor



## Technical Specification

Model Number	HC60W3-200/10	HC60W3-220/10
Head configuration	Pressure parallel fow	Pressure parallel fow
Voltage	220V/50Hz/1	380V/50Hz/3
Power	≤2500W	≤2600W
Air flow rate	200L/min@1000Kpa	220L/min@1000Kpa
Speed at rated pressure	1400rpm	1400rpm
Dimension	502x357x371mm	502x357x371mm
Net weight	43 kg	37 kg
Motor insulation class	F	F

Performance Chart - Flow VS. Pressure

