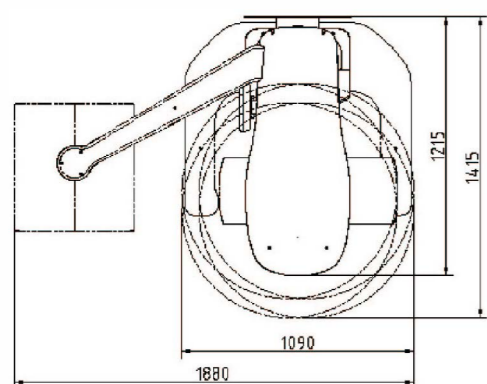
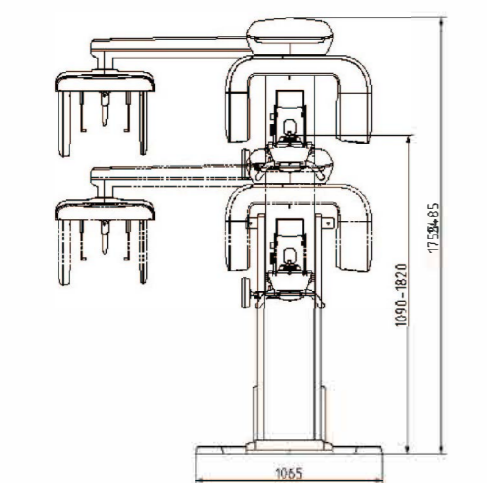


## TECHNICAL SPECIFICATIONS

|                     |                         |        |
|---------------------|-------------------------|--------|
| Model               | YJ-2DE                  | YJ-2D  |
| Function            | Pano & Ceph             | Pano   |
| Net Weight          | 260 KG                  | 220 KG |
| Voltage             | AC230V±10%              |        |
| Focal Spot          | 0.5 x 0.5mm             |        |
| Total Filtration    | 2.7mmAL                 |        |
| Tube Voltage        | 60~90kV                 |        |
| Tube Current        | 2~10mA                  |        |
| X-ray Exposure Time | Pano~17secs Ceph~12secs |        |



**Intraoral Scanner**  
Designed for patient comfort and timely scan process



**CAD System**  
Upgradable and robust software to simplify restoration design



**CAM System**  
Precise and highly efficient five-axis cutting over a broad range of materials



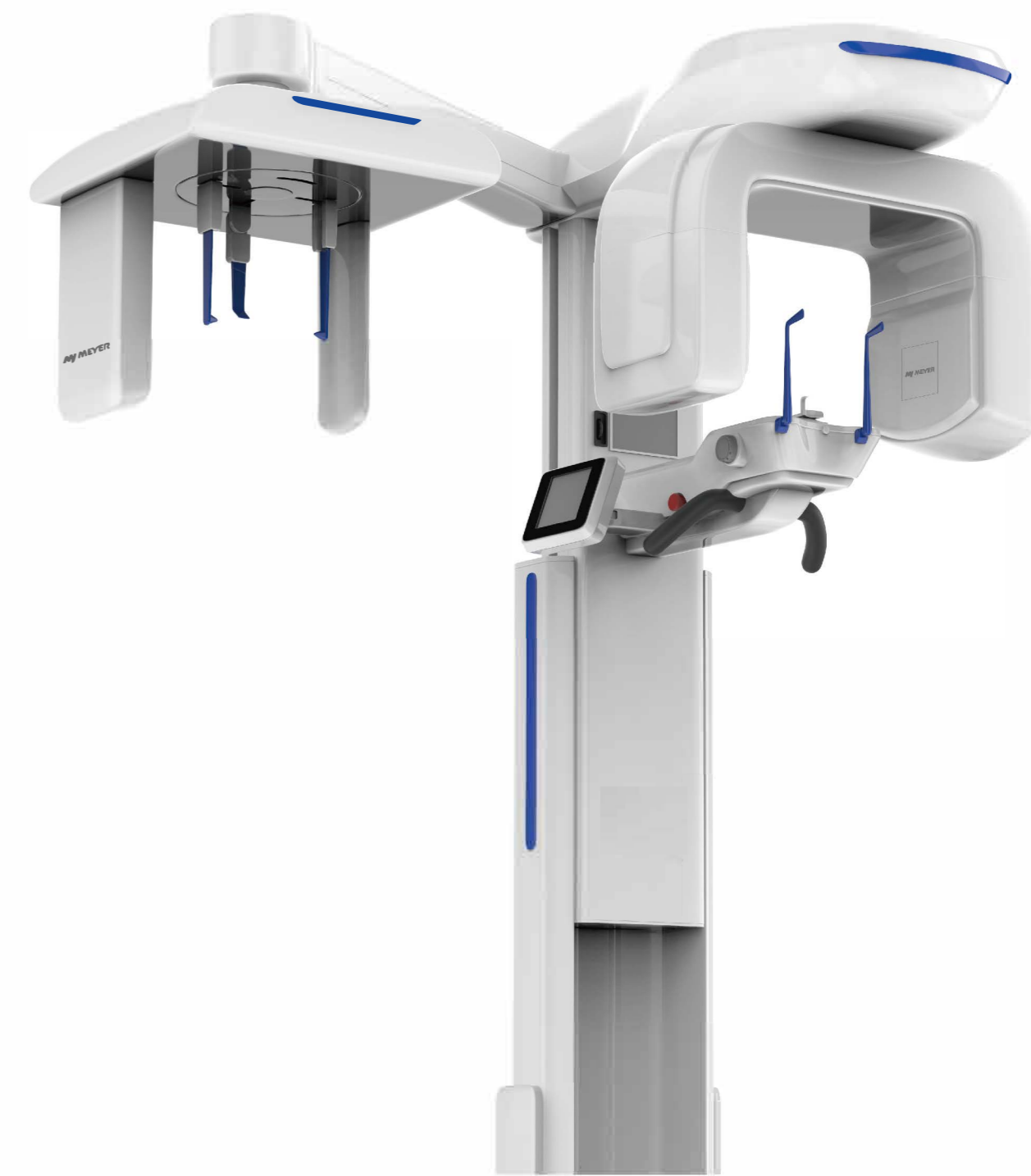
# FORERMED

HENAN FOREVER MEDICAL CO.,LTD.  
Room 806, Floor 8, Wanda Center, Jinshui District, Zhengzhou, Henan, China  
FAX:86-371-61315853  
Email: hailey@yjcompany.com  
Whatsapp/TEL.:86-15637181685  
www.forearmedchina.com



Forever Medical

## Dental Panoramic Device Pro 2D





## ESSENTIAL FOR DENTISTS IN EVERYDAY PRACTICE

2D panoramic device enables accurate diagnosis of diseases associated with the entire dentition. It provides dentists with high quality scan and high-resolution panoramic images.



### HIGHLIGHTS

- Pano and ceph dual-sensor to provide more choices for better diagnosis.
- Advanced processing algorithms ensure high image quality and accuracy.
- Instant image reconstruction after scanning through the new generation imaging technology.
- Operate on your fingertip with intuitive operational interface. The neatly designed digital touch pad accommodates all settings required for operation.
- 3-point patient positioning for stability and simplicity. The patient is held where necessary to minimize movement during scanning. It sufficiently supports image capturing process as well as keeping positioning simple and comfortable.

### FUNCTIONS



Pano

The HD panoramic image enables great performance in assisting clinical diagnosis of diseases related to the entire dentition, jaw and TMJs.



Ceph

It also allows ceph imaging to meet more clinical needs, including measurement of teeth, identification of maxillofacial fractures and orthodontic planning.

### POWERFUL DIAGNOSTIC SOFTWARE

