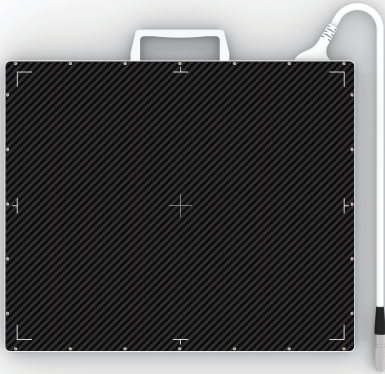


YJ-3543FP

Portable X Ray Detector



YJ-3543FP Digital X Ray Detector

YJ-3543FP production is a portable type and low noise x ray flat panel detector based on amorphous silicon technology. A-Si technology based detector owns many advantages that are unavailable with other technology, YJ-3543FP production takes a high image quality and a large dynamic range, also YJ-3543FP possesses multi-gain stage, this function makes it possible that the detector can both be suitable for high sensitivity and large dynamic range requirements. Based on above characteristics, YJ-3543FP detector can be widely used in medical, industrial, veterinary, and research application area.

Key features for amorphous silicon technology:

- ◆ Large dose dynamic range
- ◆ Long life time

Key Features

- Pixel Pitch: 140 μm
- Pixel Matrix: 2500 x 3052
- ADC: 16-bit
- Gain Stage: Multi-Gain
- Scintillator: GOS/CSI
- Water Proof: IPX0
- Interface: Quick self-locking connector
- Calibration: Software, Firmware
- Radiation Hardness: $\geq 10000\text{Gy}$

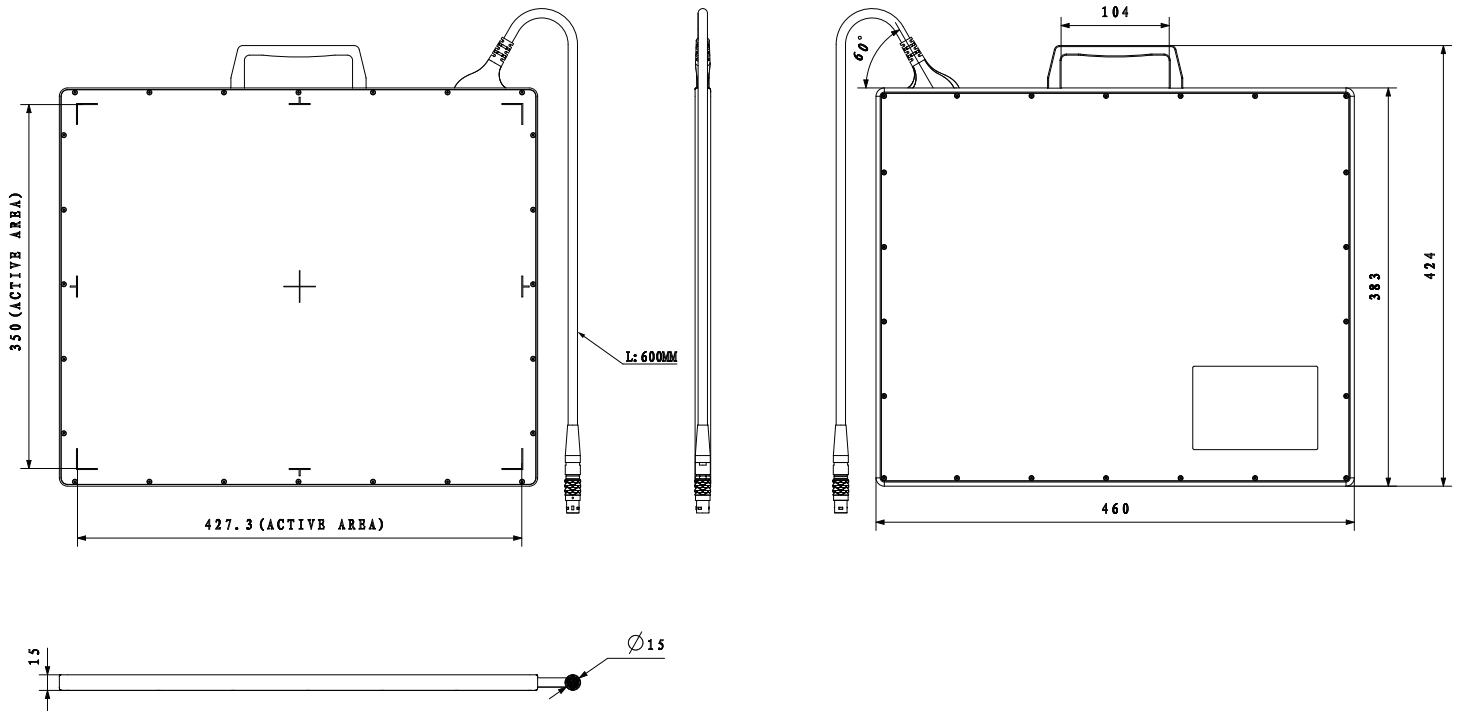
Application

- Medical
- Industry
- Veterinary
- Research

| Technology | |
|----------------------------|---|
| Sensor | A-Si |
| Scintillator | GOS / CSI |
| Active Area | 350 x 427 mm |
| Pixel Matrix | 2500x 3052 |
| Pixel Pitch | 140 μm |
| AD Conversion | 16 bits |
| Interface | |
| Communication Interface | Gigabit Ethernet |
| Exposure Control | Trigger In(Edge or Level) / Trigger Out (Edge or Level) |
| Image Acquisition Time | ≤ 1 seconds |
| Operating System | Windows7 / Windows10 OS 32 bit or 64 bit |
| Technical Performance | |
| Resolution | 3.5 lp/mm |
| Energy Range | 40~160 KV |
| Lag | <1% 1st frame |
| Dynamic Range | $\geq 86\text{dB}$ |
| Sensitivity | 540 lsb/uGy |
| SNR | 48dB @(20000lsb) |
| MTF | 70% @(1 lp/mm) 38% @(2 lp/mm) 21% @(3 lp/mm) |
| DQE | 58% @(0 lp/mm) 41% @(1 lp/mm) 25% @(2 lp/mm) |
| Mechanical | |
| Dimension(H x W x D) | 460 x 383 x 15 mm |
| Weight | 3.5 Kg |
| Sensor Protection Material | Carbon Fiber |
| Housing Material | High Strength Aluminum Alloy |
| Environmental | |
| Temperature Range | 10~35°C (operating); -10~50°C (storage) |
| Humidity | 30~70% RH (non-condensing) |
| Vibration | IEC/EN 60721-3 class 2M3 (10~150 Hz, 0.5 g) |
| Shock | IEC/EN 60721-3 class 2M3 (11 ms, 2 g) |
| Dust and Water Resistant | IPX0 |
| Power | |
| Supply | 100~240 VAC |
| Frequency | 50/60 Hz |
| Consumption | 14 W |

YJ-3543FP

Portable X Ray Detector



HENAN FOREVER MEDICAL CO.,LTD.

ADD: Room 806, Floor 8, Wanda Center, Jinshui District, Zhengzhou, Henan Province, China

Contact: Julianne Yang

FAX:86-371-61315853

Email: emily@yjcompany.com

Whatsapp/TEL.: 0086-18838114181

Web: www.forevermedchina.com

www.forevermedical-yj.com