



Henan Forever Medical Co., Ltd.

5kW Digital Portable X-ray Machine YJ-X050-C

Model number	YJ-X050-C	
Maximum output power	5kW	
Power supply	AC220V±10%, 50/60Hz±1Hz	
Power	220V/50Hz (Wire diameter >4mm ² ; Internal resistance <0.5Ω)	
mA adjustable range	32-100 mA	
mAs adjustable range	0.32~315mAS, stepping R'10 or 0.4	
kV adjustable range	40kV~110kV, continuous regulation, stepping 1kV	
Exposure time	0.01~6.3s	
X-ray tube focus	1.8*1.8mm	
Rotating speed / Heat capacity	2800prm/42kHU	
Generator frequency	30kHz	
Flat panel parameter	Imaging Size	17*17、14*17inch (wired and wireless)
	Pixel Pitch	140um
	A/D Conversion	16bits
	Spatial Rresolution	3.6lp/mm
Software	Human software	
Laptop parameter	R3-4300U processor, 8G running memory, 256G solid state drive	



Henan Forever Medical Co., Ltd.

YJ-X050-C

Mobile model with stand (For human and vet)



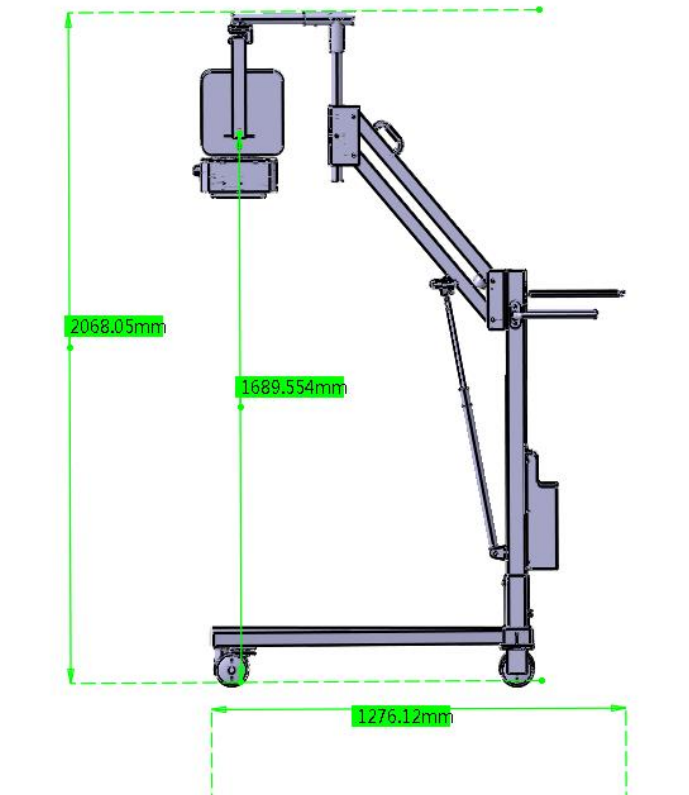
【Remarks】

1. Main unit packed in wooden cage, Size: 51*71*55cm, Net weight: 47KG
2. Steel stand packed in carton, Size: 116*47*20cm, Net weight: 32KG
3. Flat panel packed in carton, Size: 55*55*6cm, Net weight: 7KG
4. Laptop packed in carton, Size: 58*36*14cm, Net weight: 4KG



Henan Forever Medical Co., Ltd.

【Figure 1: Highest extension】



【Figure 2: Lowest extension】

