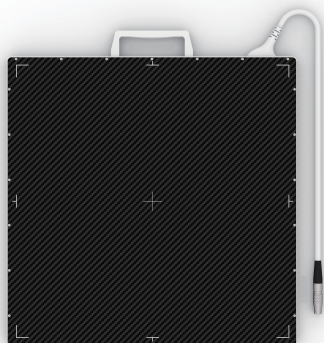


YJ-4343FP

Portable X Ray Detector



YJ-4343FP X Ray Detector

YJ-4343FP production is a portable type and low noise x ray flat panel detector based on amorphous silicon technology. A-Si technology based detector owns many advantages that are unavailable with other technology, YJ-4343FP production takes a high image quality and a large dynamic range, also YJ-4343FP possesses multi-gain stage, this function makes it possible that the detector can both be suitable for high sensitivity and large dynamic range requirements. Based on above characteristics, YJ-4343FP detector can be widely used in medical, industrial veterinary, and research application area.

Key features for amorphous silicon technology:

- ◆ Large dose dynamic range
- ◆ Long life time

Key Features

- Pixel Pitch: 140 μ m
- Pixel Matrix: 3072X3072
- ADC: 16-bit
- Gain Stage: Multi-Gain
- Scintillator: GOS/CSI
- Water Proof: IPX0
- Interface: Quick self-locking connector
- Calibration: Software, Firmware
- Radiation Hardness: ≥ 10000 Gy

Application

- Medical
- Industry
- Veterinary
- Research

Technology

Sensor	A-Si
Scintillator	GOS / CSI
Active Area	430 x 430 mm
Pixel Matrix	3072X3072
Pixel Pitch	140 μ m
AD Conversion	16 bits

Interface

Communication Interface	Gigabit Ethernet
Exposure Control	Trigger In(Edge or Level) / Trigger Out (Edge or Level)
Image Acquisition Time	≤ 1 seconds
Operating System	Windows7 / Windows10 OS 32 bit or 64 bit

Technical Performance

Resolution	3.5 lp/mm
Energy Range	40~160 KV
Lag	<1% 1st frame
Dynamic Range	≥ 86 dB
Sensitivity	540 lsb/uGy
SNR	48dB @(20000lsb)
MTF	70% @(1 lp/mm) 38% @(2 lp/mm) 21% @(3 lp/mm)
DQE	58% @(0 lp/mm) 41% @(1 lp/mm) 25% @(2 lp/mm)

Mechanical

Dimension(H x W x D)	460 x 460 x 15 mm
Weight	4.6 Kg
Sensor Protection Material	Carbon Fiber
Housing Material	High Strength Aluminum Alloy

Environmental

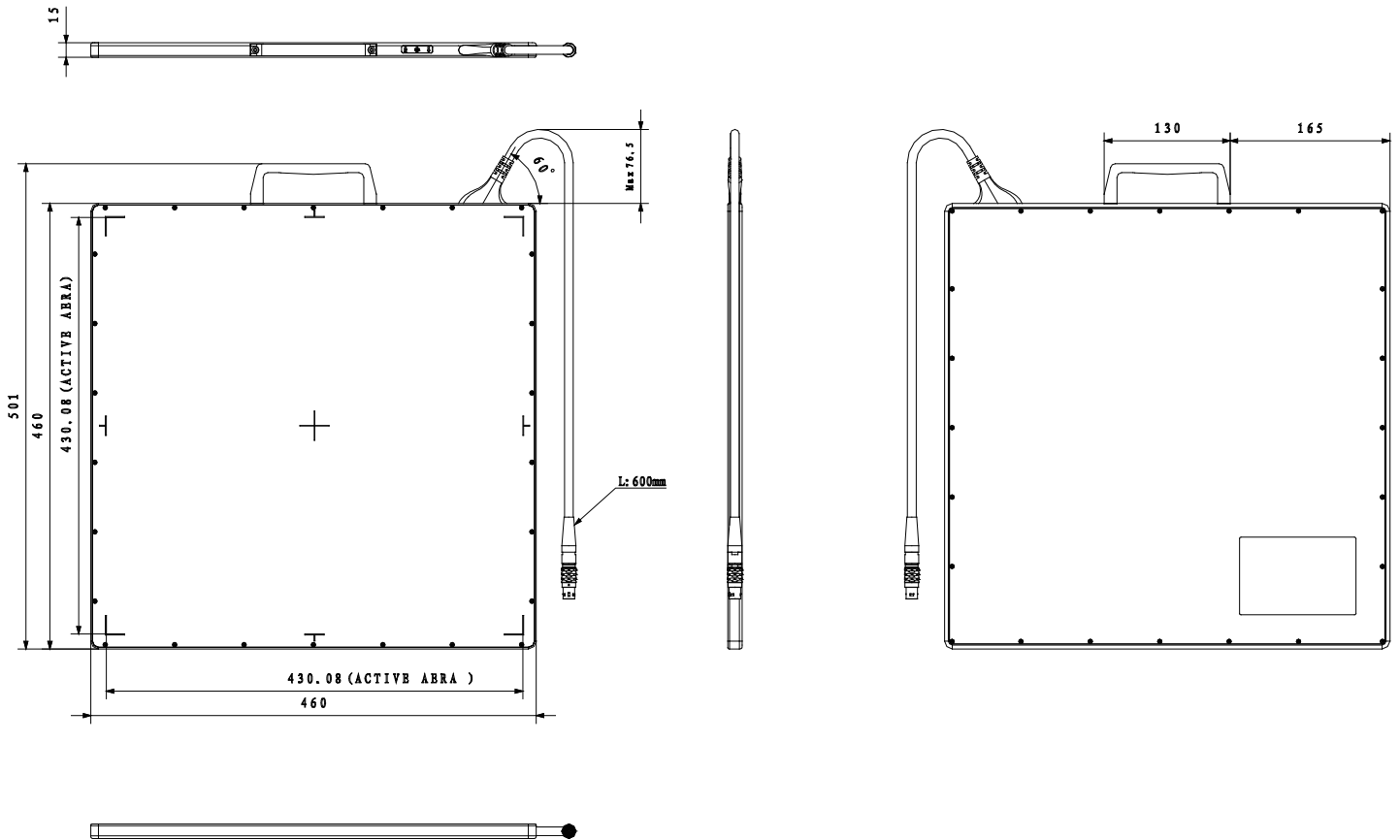
Temperature Range	10~35°C (operating); -10~50°C (storage)
Humidity	30~70% RH (non-condensing)
Vibration	IEC/EN 60721-3 class 2M3 (10~150 Hz, 0.5 g)
Shock	IEC/EN 60721-3 class 2M3 (11 ms, 2 g)
Dust and Water Resistant	IPX0

Power

Supply	100~240 VAC
Frequency	50/60 Hz
Consumption	14 W

YJ-4343FP

Portable X Ray Detector



Alibaba



Web



Made-in-China

HENAN FOREVER MEDICAL CO.,LTD.

Room 806, Floor 8, Wanda Center, Jinshui District, Zhengzhou, Henan Province, China

FAX: 86-371-61315851

Email: emily@yjcompany.com Whatsapp/TEL.: 0086-18838114181

Web: www.forearmedchina.com www.forevermedical-yj.com