

CASA3

W I  S L I D E R  
s m ä r t

MINI SLIDING AUTOMATION

## CONTENTS

Safety Precautions-----	1-2
Product character -----	3
Technical parameter-----	3
Installation Diagram,Explosion Diagram, Section Diagram-----	4-6
Selection of Right/Left open-----	7
Installation of rail -----	8
Installation of anti-drop device-----	9
Installation of hanger, Thickness of glass-----	10
Install door leaf -----	11
Adjustment of door height -----	12
Adjustment of anti-drop device -----	13
location of stopper -----	14
Installation and adjustment of pulley -----	15
Installation of belt anti-drop device -----	16
Installation of controller -----	17
Close the cover -----	18-20
Installation of wooden door -----	21-22
Data adjustment -----	23-25
Connection of sensor -----	26
Connection of photocell -----	27
Trouble shooting -----	28-30

## SAFETY PRECAUTIONS

- The contents and categories a user must abide by are presented and described by the following graphic expressions.



### Warning

Misoperation may cause injury even death to the operator.



### Caution

Misoperation may cause injury or physical loss to the operator.



This stands for the contents prohibited.



This stands for compulsory contents.



## Warning

- ❗ Installation and adjustment must be carried out according to the Installation Manual. Carelessness in installation and adjustment will lead to such accidents as fire, electric shocks or fall off.
- ❗ During the installation never allow the pedestrians to pass through the automatic door or approach the work site. Because any tools or parts falling off during the installation will cause injury to the pedestrians.
- ⊘ Never remodel the parts, otherwise fire, electric shocks or fall will occur.
- ⊘ Never use the power beyond the stipulated voltage or frequency, otherwise fire or electric shocks will occur.
- ❗ The sensor should be set and adjusted to make sure that the opening area of the door will fully fall into the range of sensor detection without any blind area. If the detecting range is too small or having blind area, the pedestrians will be collided or squeezed by the door, causing injury.
- ❗ Do fix up photocell to ensure the detecting range for the walking area of the door leaf, otherwise the pedestrians will be collided or squeezed by the door leaf, causing injury.

## SAFETY PRECAUTIONS



### Caution

- ⊘ Never use the door in a place subject to dampness, vibration or corrosive gas, otherwise it will cause such accidents as fire, electric shocks or fall.
- ⊘ Make sure that a space of over 30mm should be available when the door is opened, otherwise your fingers may be squeezed by the door leaf and upright column, causing injury.
- ⊘ Never cut off power when the door is in operation, otherwise it will cause injury of the pedestrians.
- ⚠ Please use sticker on door leaves. If not, it will cause injury to the passer-by who has lost sight of the door leaf.
- ⊘ Never install an electric device with a capacity of >DC24V 300mA to the controller, otherwise it will cause fire.

### Other precautions

- Never use a door leaf that exceeds the specified weight, otherwise it will cause failure.
- For selection of batteries
  - Please use them after charging for 24 hours.
  - The service life of batteries lasts for 2-3 years at an ambient temperature of 0°C -40 °C. Excessive temperature will shorten the service life of batteries.
  - If after charging 24 hours the battery still doesn't work, it shows the service life has expired. Replace it immediately.
  - Check batteries each half year.

## TECHNICAL PARAMETER PRODUCT CHARACTER

### Technical parameter

Power supply :	100 -240 V
MAX Weight :	60 Kgs
MAX width :	1.2 Meters
Standard track :	2.2/2.5 Meters
Product weight :	7.5Kgs
Product measurement :	2200x81x68mm

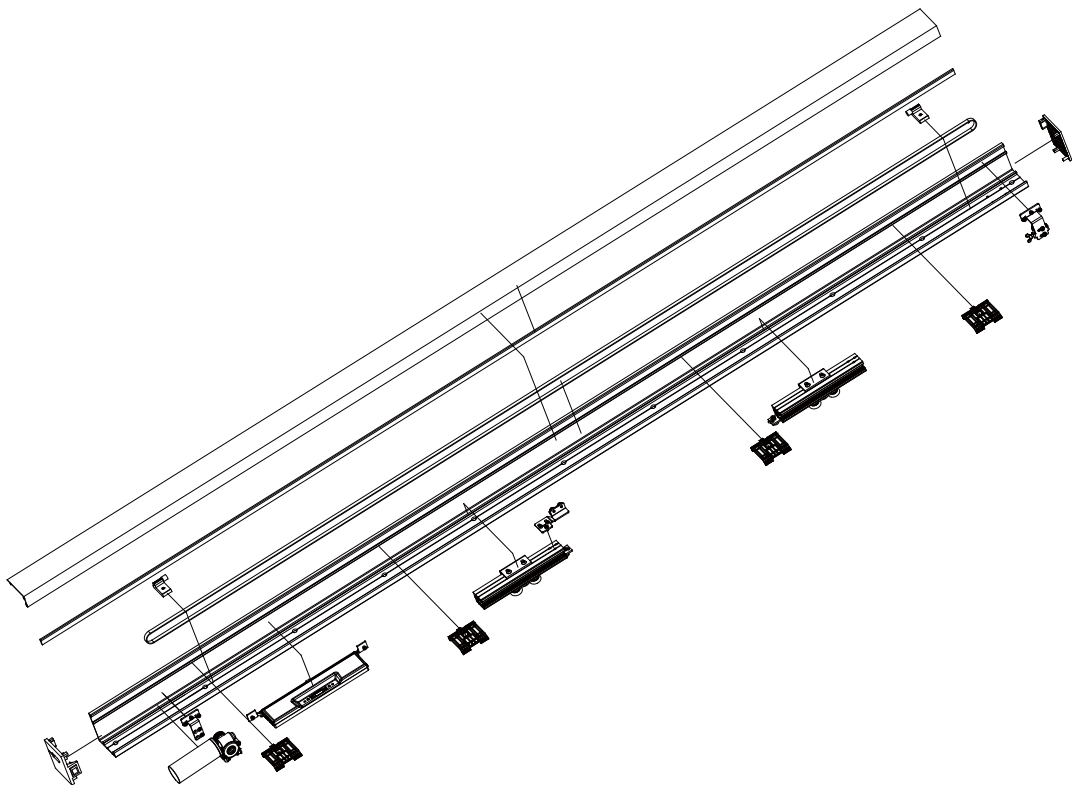
### Product character

- ◆ Easy to install.
- ◆ Compact size,Nice appearance and modern design.
- ◆ System can apply with sensor,remote control,push button,  
pet switch,photocell,card reader,lock and so on.
- ◆ 433.92hz module,can be suit with smart-home.

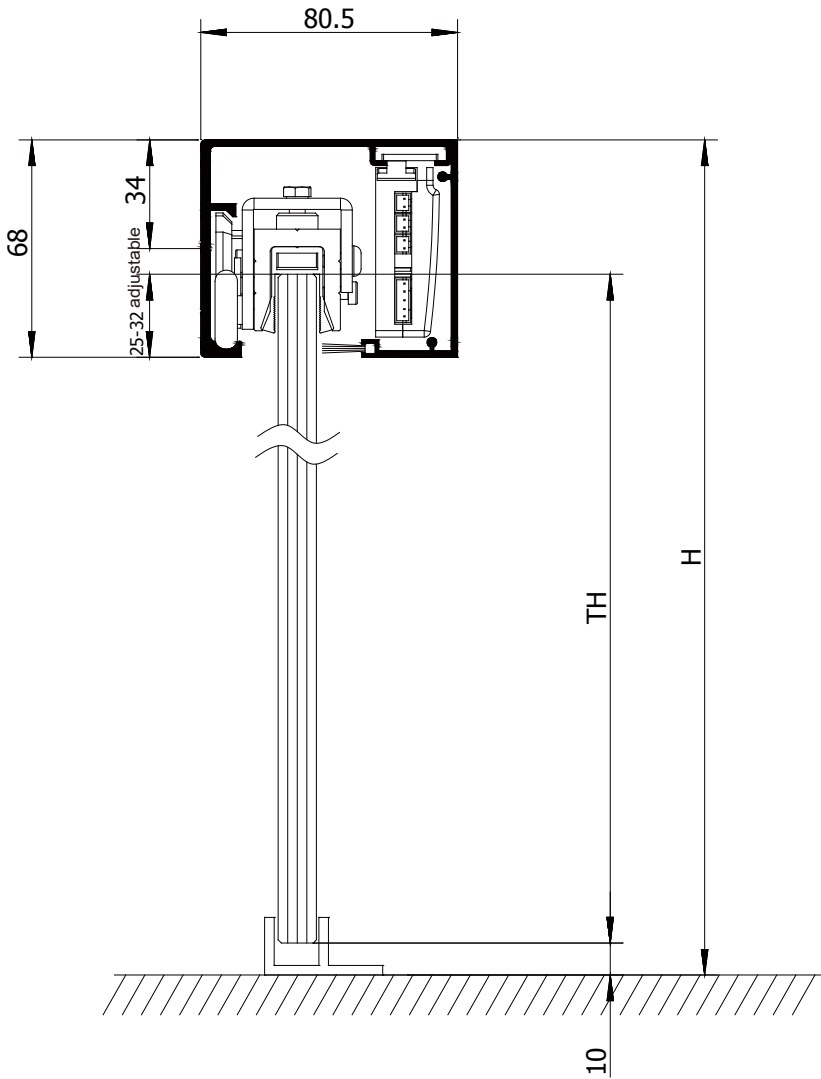
INSTALLATION DIAGRAM



EXPLOSION DIAGRAM

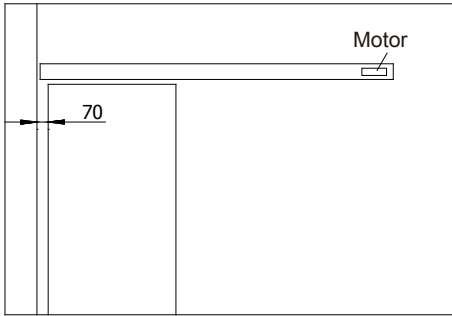


SECTION DIAGRAM

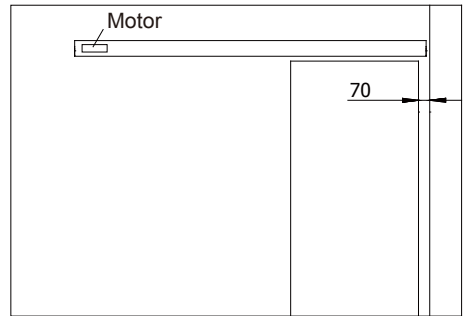




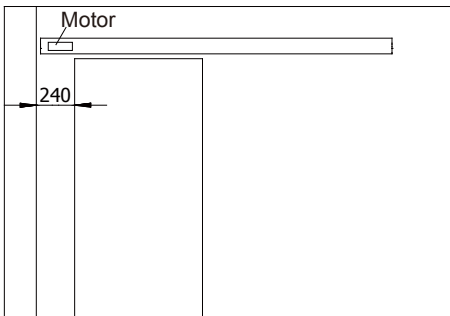
## SELECTION OF RIGHT/LEFT OPEN



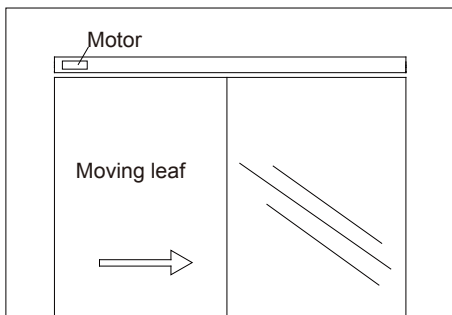
1



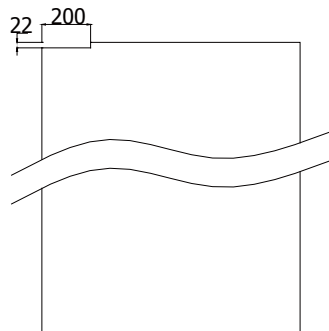
2



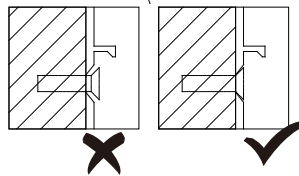
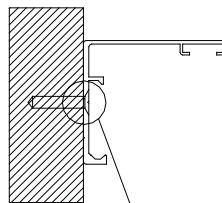
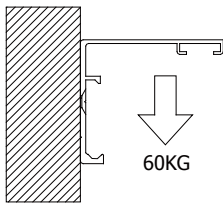
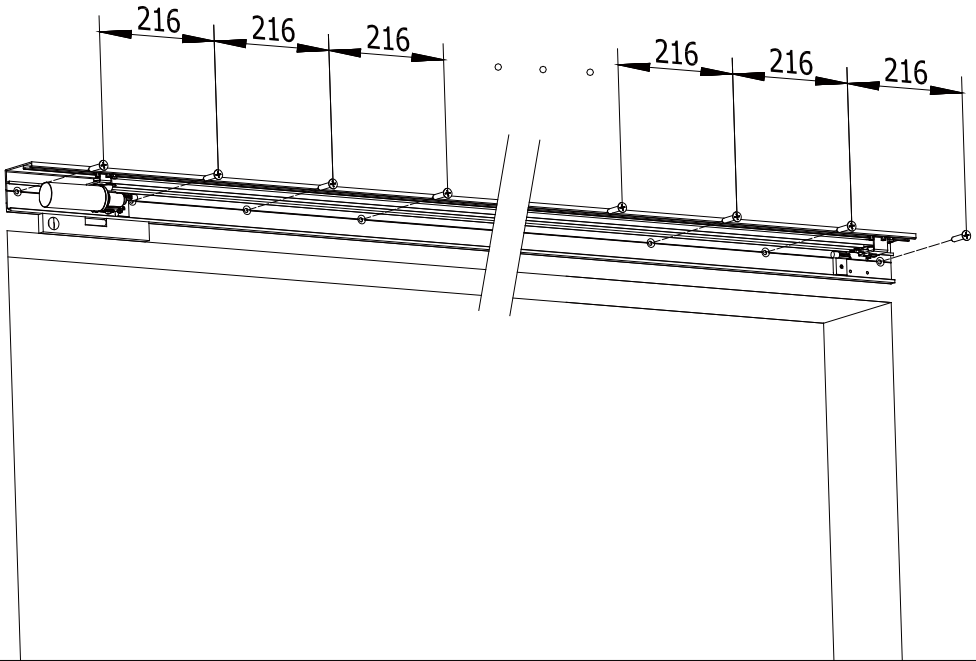
3



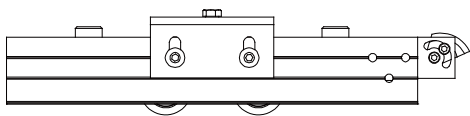
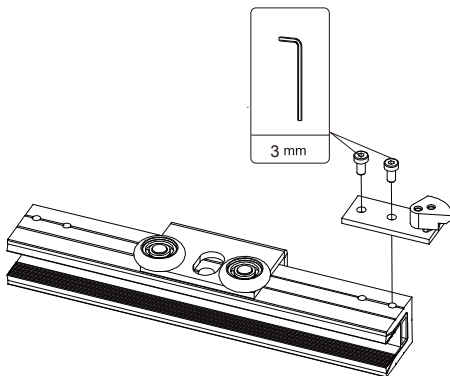
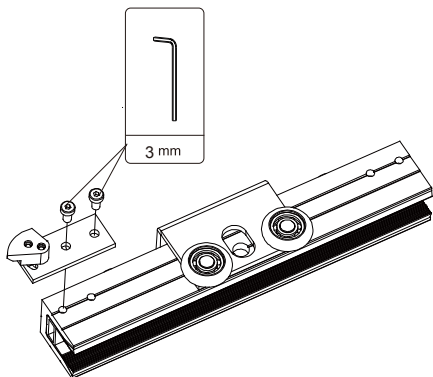
4



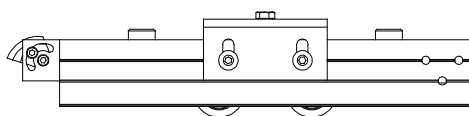
## INSTALLATION OF RAIL



# INSTALLATION OF ANTI-DROP DEVICE

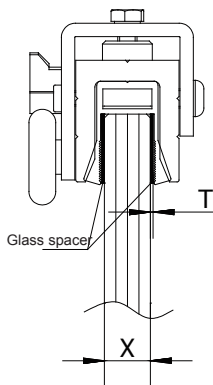
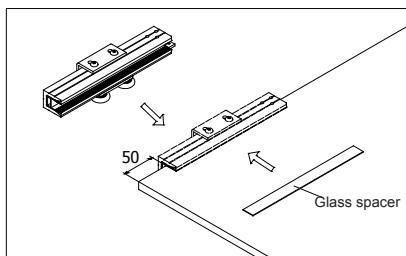
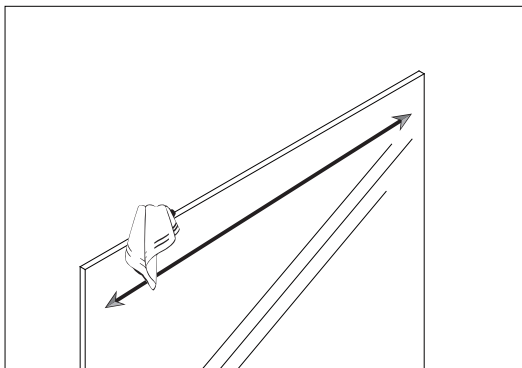
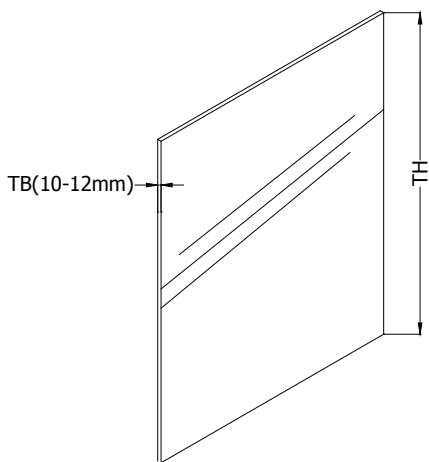


Left hanger

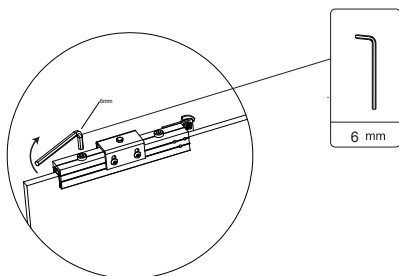


Right hanger

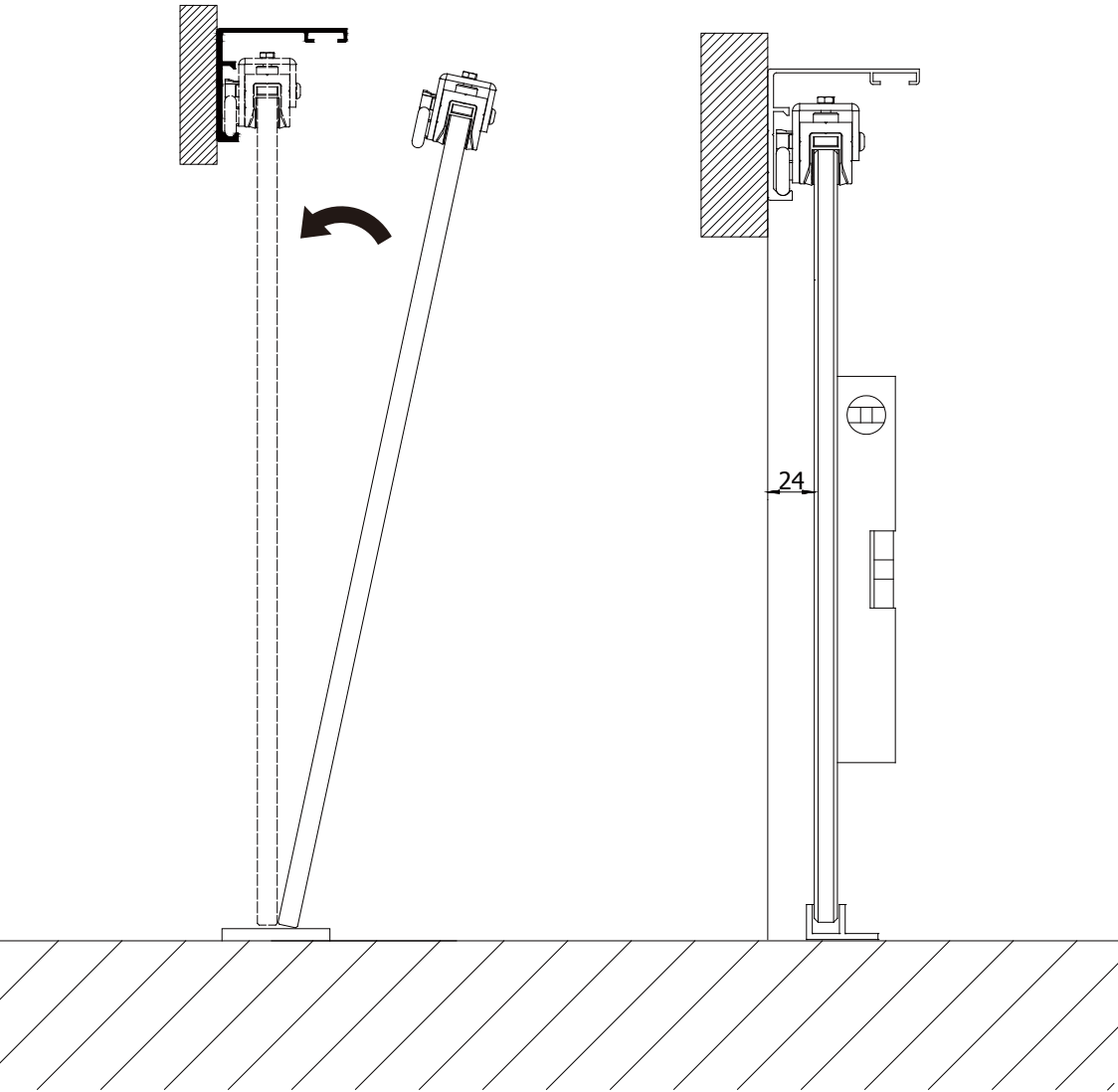
## INSTALLATION OF HANGER, THICKNESS OF GLASS



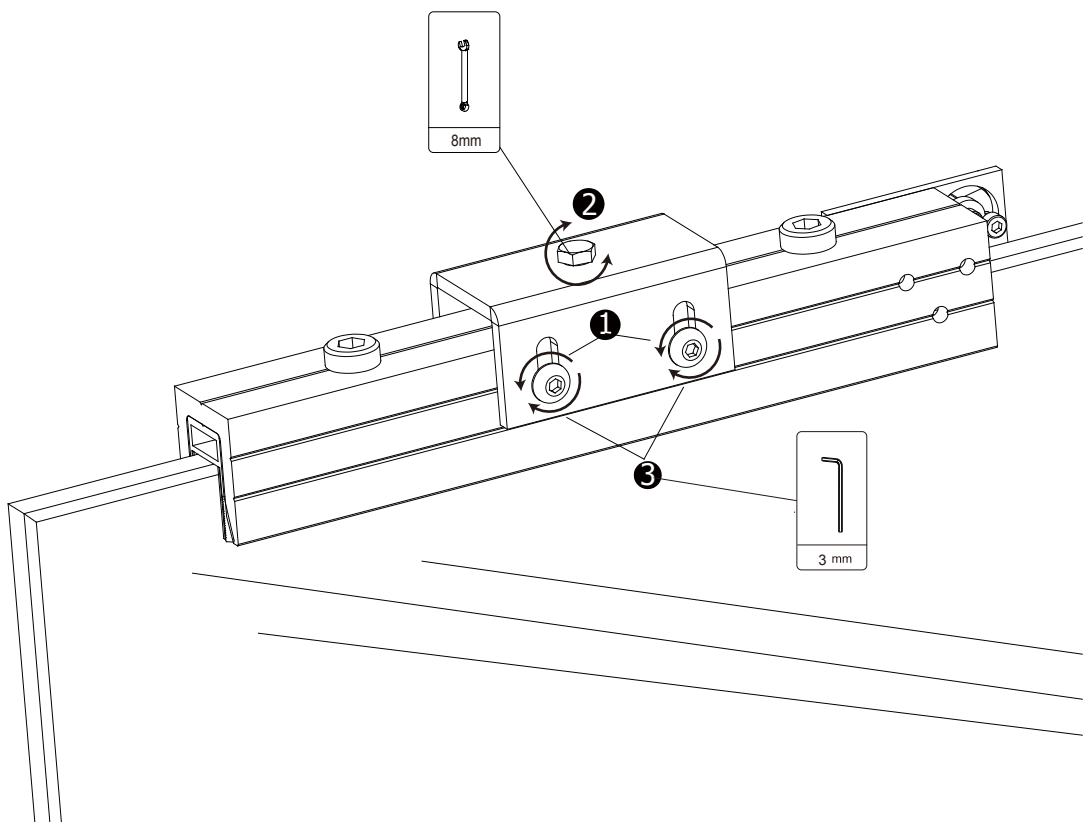
X	10mm	12mm
T	0.7+2.0	0.7+0.7



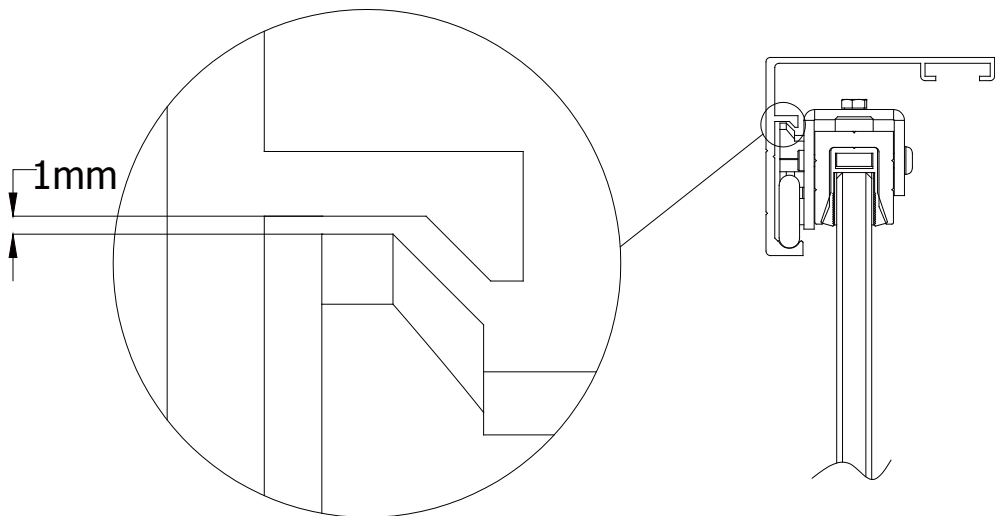
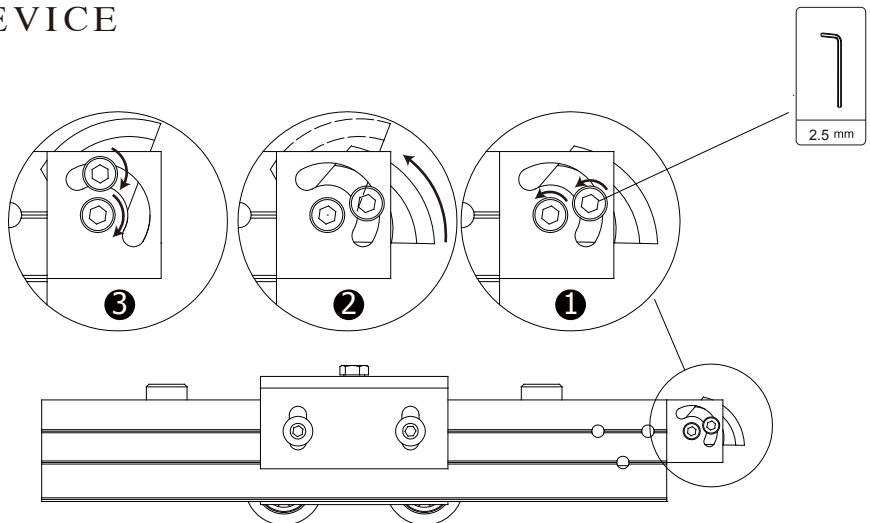
INSTALL DOOR LEAF



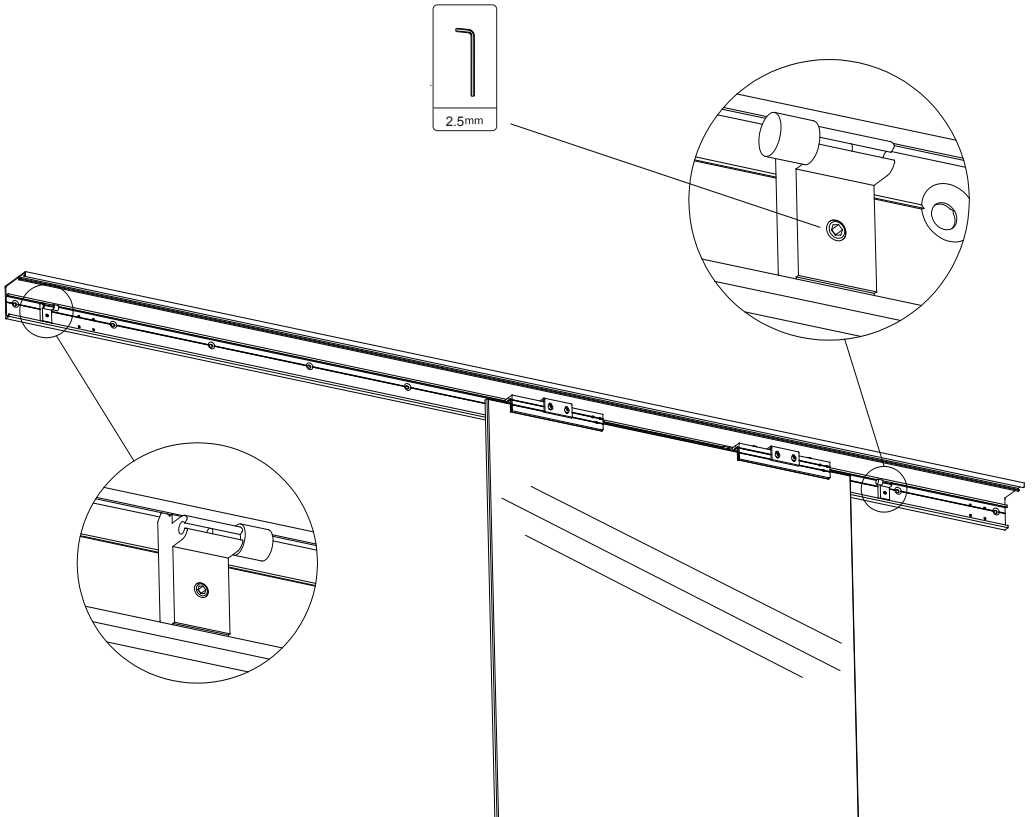
## ADJUSTMENT OF DOOR HEIGHT



# ADJUSTMENT OF ANTI-DROP DEVICE

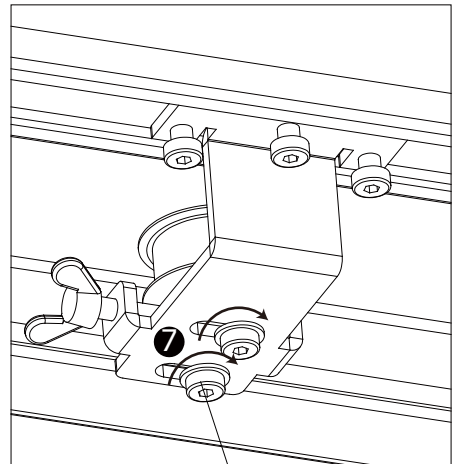
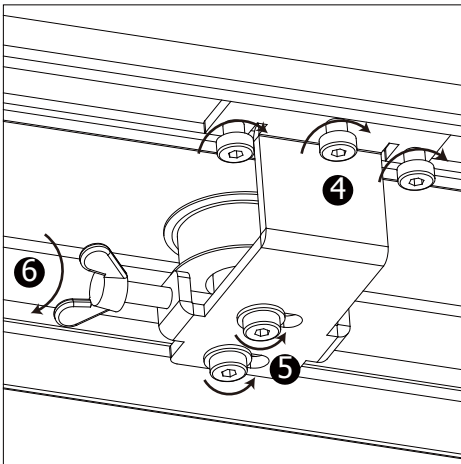
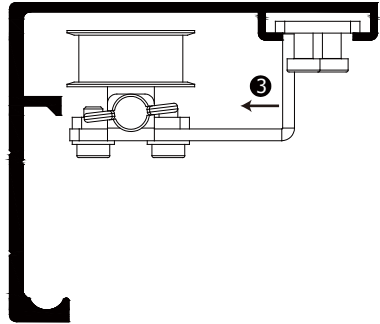
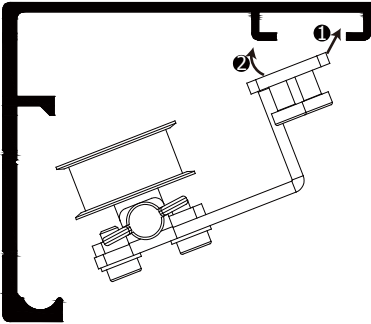


LOCATION OF STOPPER

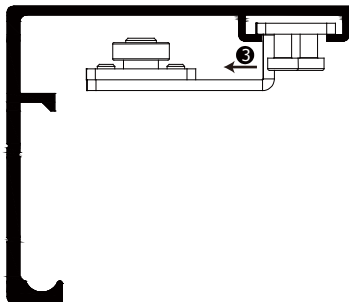
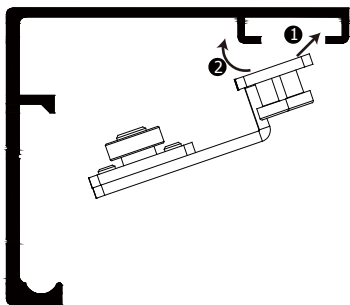
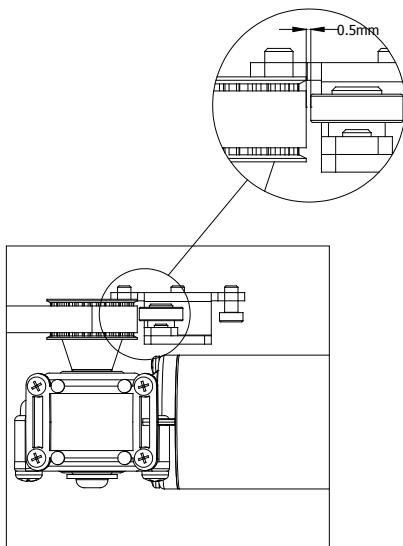
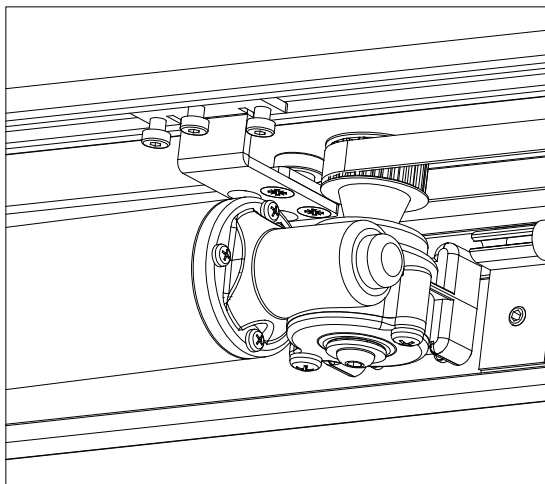




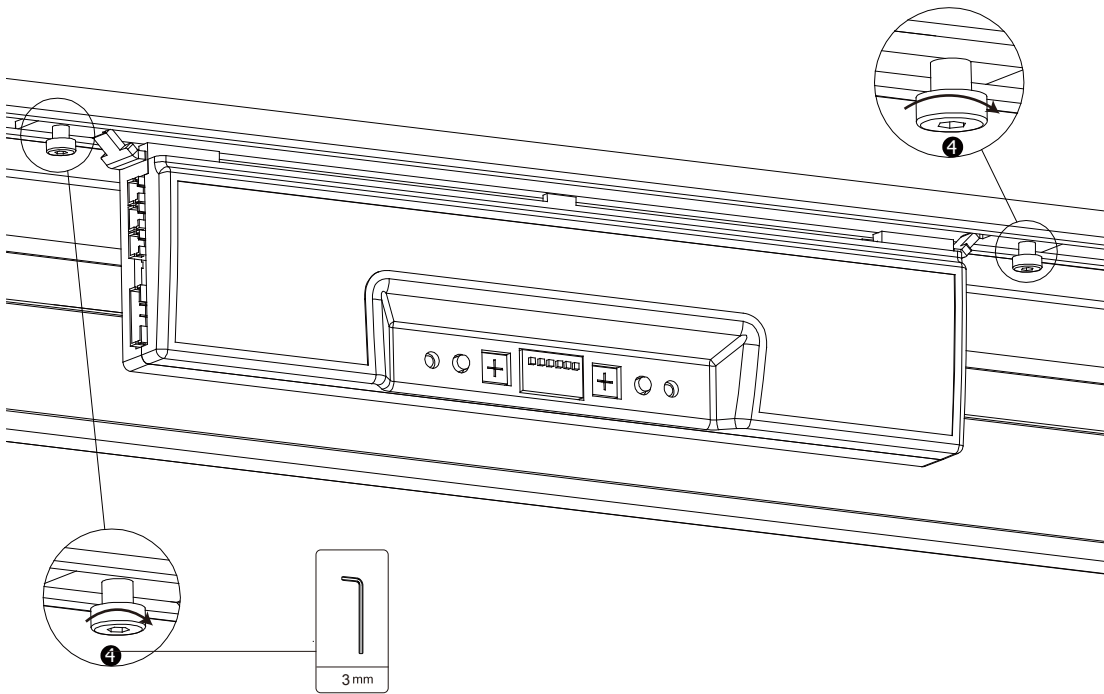
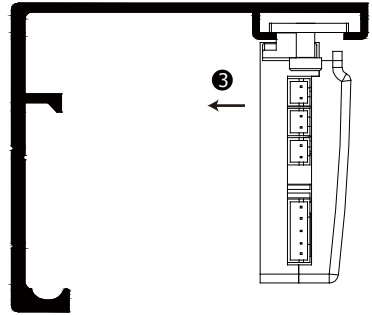
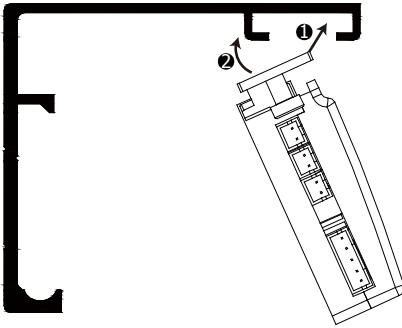
## INSTALLATION AND ADJUSTMENT OF PULLEY



# INSTALLATION OF BELT ANTI-DROP DEVICE

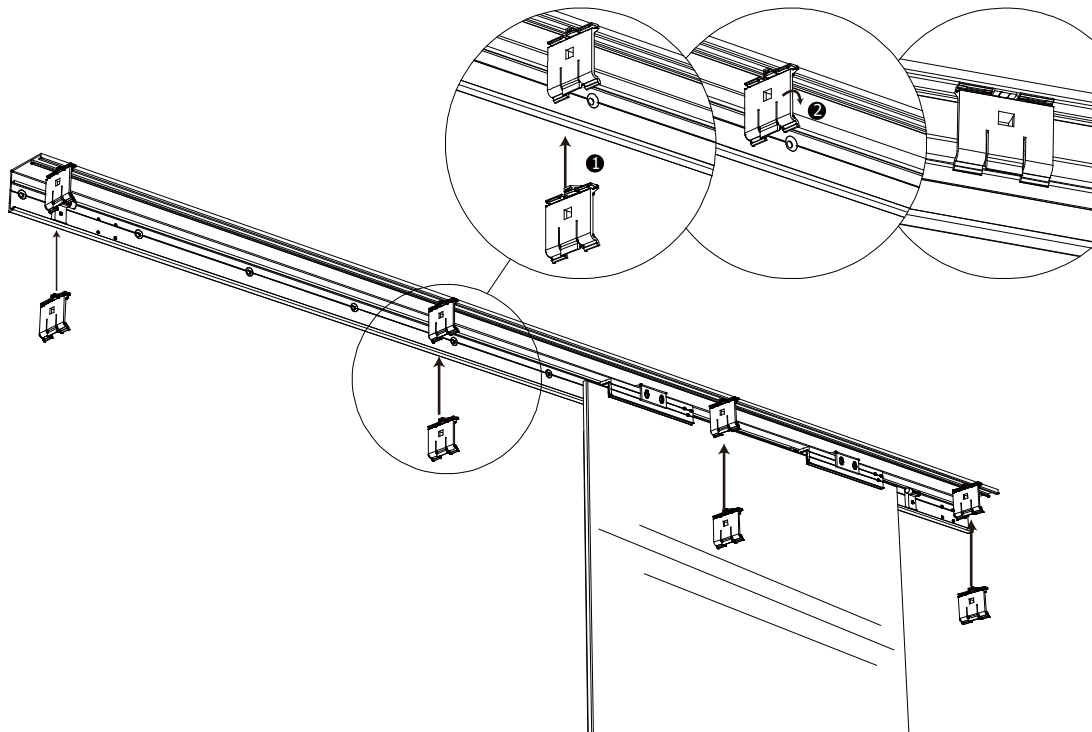


# INSTALLATION OF CONTROLLER

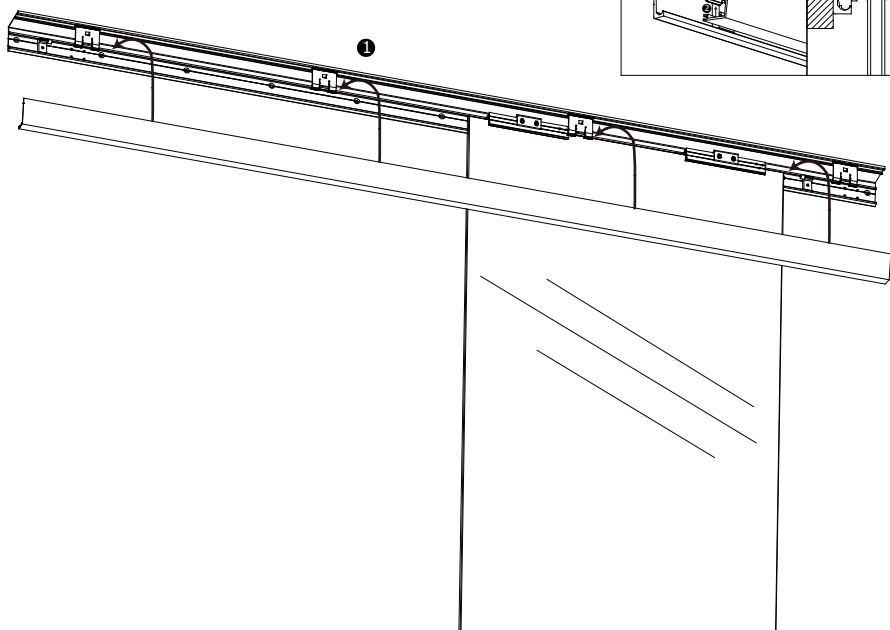


Power on and test operator after controller installed (Refer to page 23)

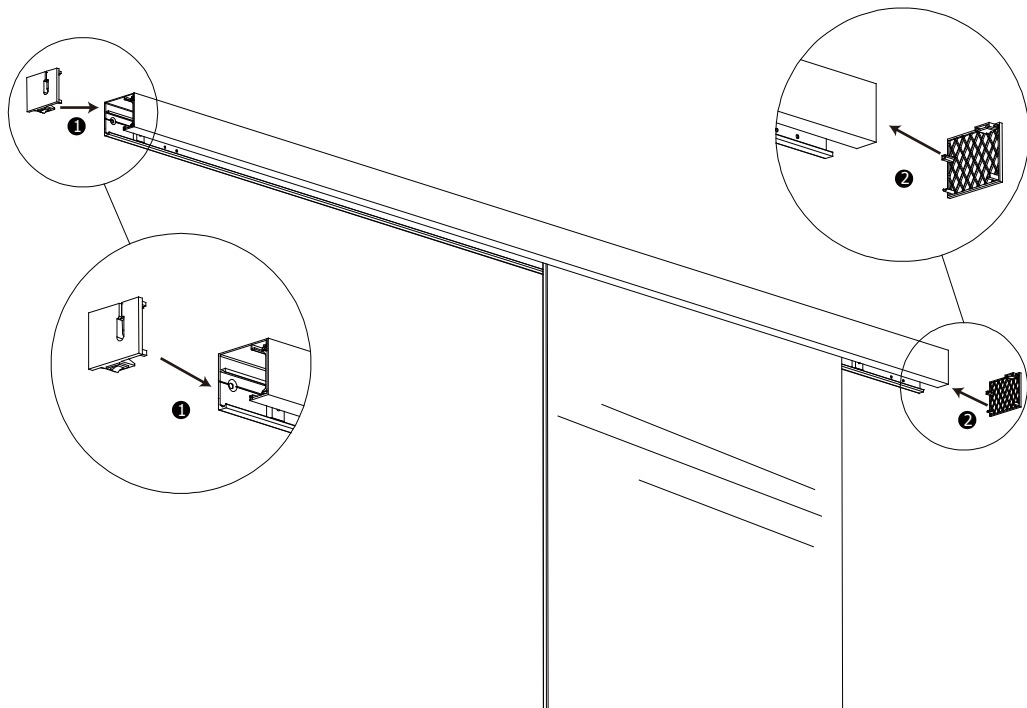
CLOSE THE COVER



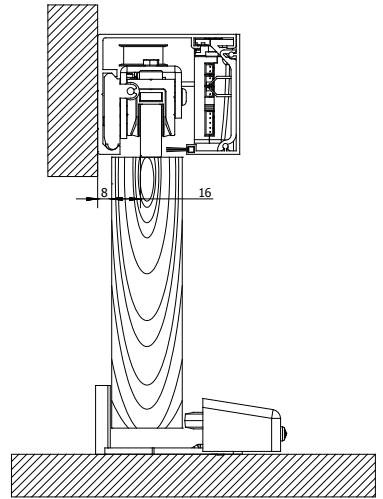
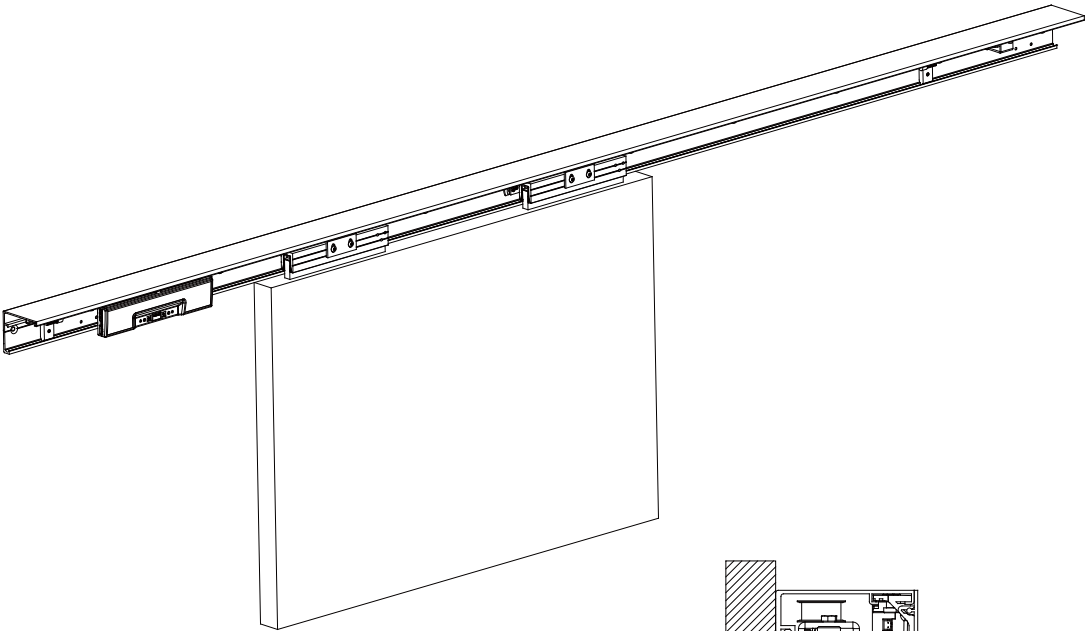
CLOSE THE COVER



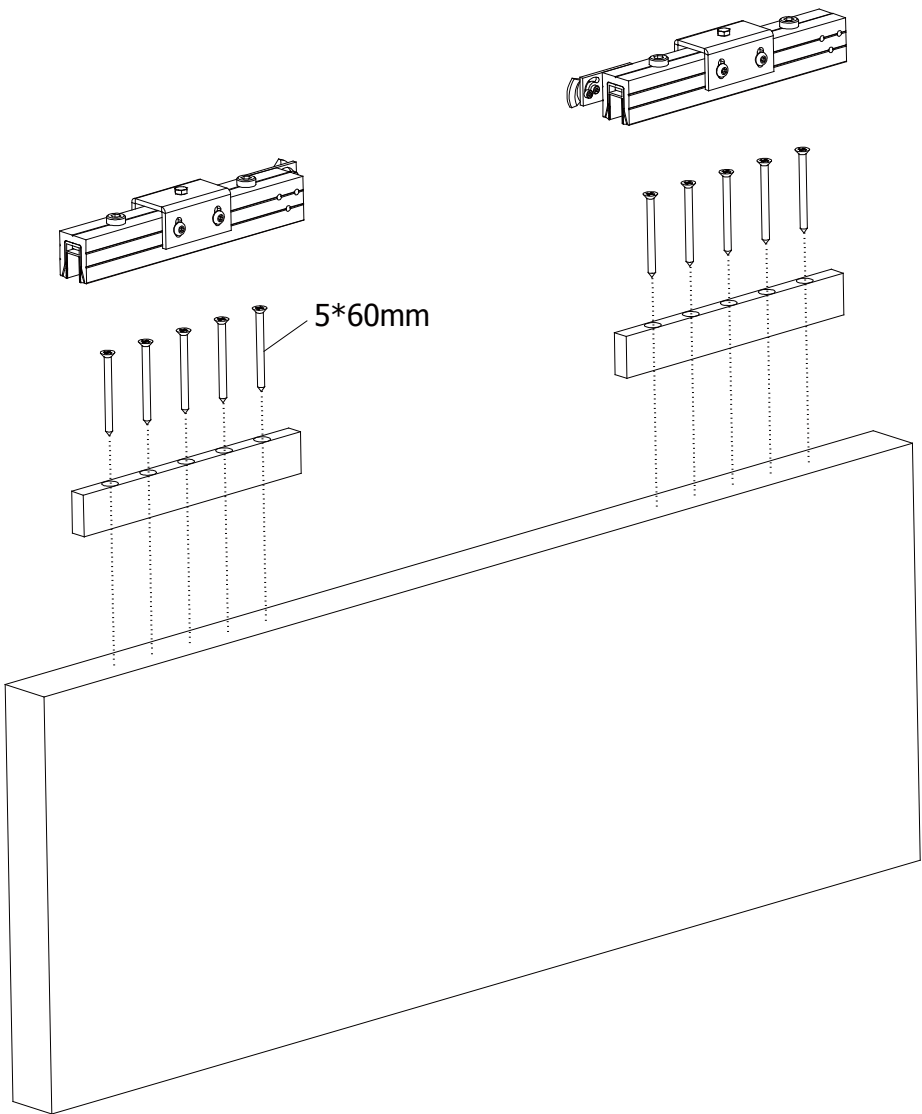
CLOSE THE COVER



INSTALLATION OF WOODEN DOOR

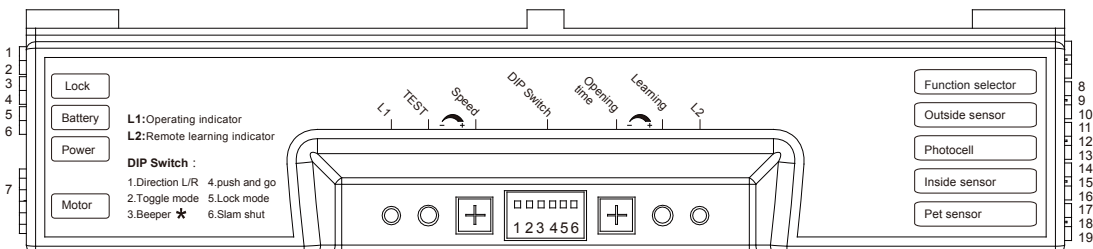


# INSTALLATION OF WOODEN DOOR





## DATA ADJUSTMENT



- |         |              |
|---------|--------------|
| 1.ELE-  | 8.Outside    |
| 2.ELE+  | 9.+13.5V     |
| 3.UPS+  | 10.GND       |
| 4.UPS-  | 11.Photocell |
| 5.+24V  | 12.+13.5V    |
| 6.GND   | 13.GND       |
| 7.Motor | 14.Inside    |
|         | 15.+13.5V    |
|         | 16.GND       |
|         | 17.Pet       |
|         | 18.+13.5V    |
|         | 19.GND       |

Speed: adjustment of speed

TEST: Press then open and close one time.

Opening time: 0-20s (adjustable)

Learning button: Learning button of remote or wireless push button,  
added and delete remote process

L1: Working status indicator

L2 : Remote learning indicator

## DATA ADJUSTMENT

### DIP function introduction and setting

DIP switch	On (upwards)	Off(downwards)
1.Direction L/R	ON – Left opening, OFF – Right opening. Toggle (back and forth) to erase memory and re-learn open/close cycle.	
2.Toggle mode	Activate to open activate to close	Normal mode
3. Beeper *	Beeper enabled	Beeper disable
4.Push and go	on	off
5.Lock mode	Automatic lock after full closed	Lock only with full lock signal
6.Slam shut	With rubber	Normal operation

\* DIP Switch 1 must power off and restart can switch mode

\* DIP switch 3 can only turn off the voice of remote , If need turn off the voice of wireless push button,it should press learning button , then switch on or off

### Learning process

Turn on the power switch,ensure dip 1 is correct, if direction is wrong, Please switch the dip to opposite direction,turn off the power and make sure door fully closed,Then power on.

To setting a door should keep press test button in power off condition, then power on and hear a voice and keep press test button till hear the second voice, the learning turn will start(this because the controller have operating distance memory)

#### ● Opening width learning (pet) :

Indicator L1 flash 3times,the pet opening width setting is done.

#### ● Full opening width

Indicator L1 flash 1 time,the full opening width setting done.

## DATA ADJUSTMENT

### ● Setting of wireless push button

Add:

1. Keep pressing the learning button LEARN, release the button a till LED become blue, then press any button on remote , remote will been added after led flash and buzzer rings
- 2.Keep pressing any button on remote , and keep pressing button LEARN on remote at same time, release button LEARN till LED become blue, remote will been added after led flash and buzzer rings

Delet:

Keep pressing learning button A 5 seconds, all remote memory will delete after LED flash 3 times

(Tip: Ensure keep pressing learning button when delet remote memory)

A



B(Optional)

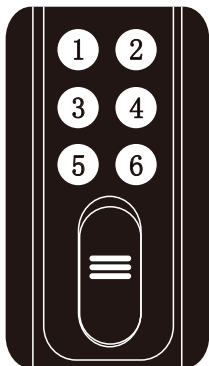


Please check the DIP switch if its same as the image shown (during setting pro cess)

Function selection of wireless push button (Work with sliding door)

- 1.Remove battery
- 2.Keep pressing "setting" button
- 3.Insert the battery at same time, the red led flash
- 4.Keep pressing Button B , Red led off about 5 second, then flash again
- 5 Release Setting button and B button, setting is done

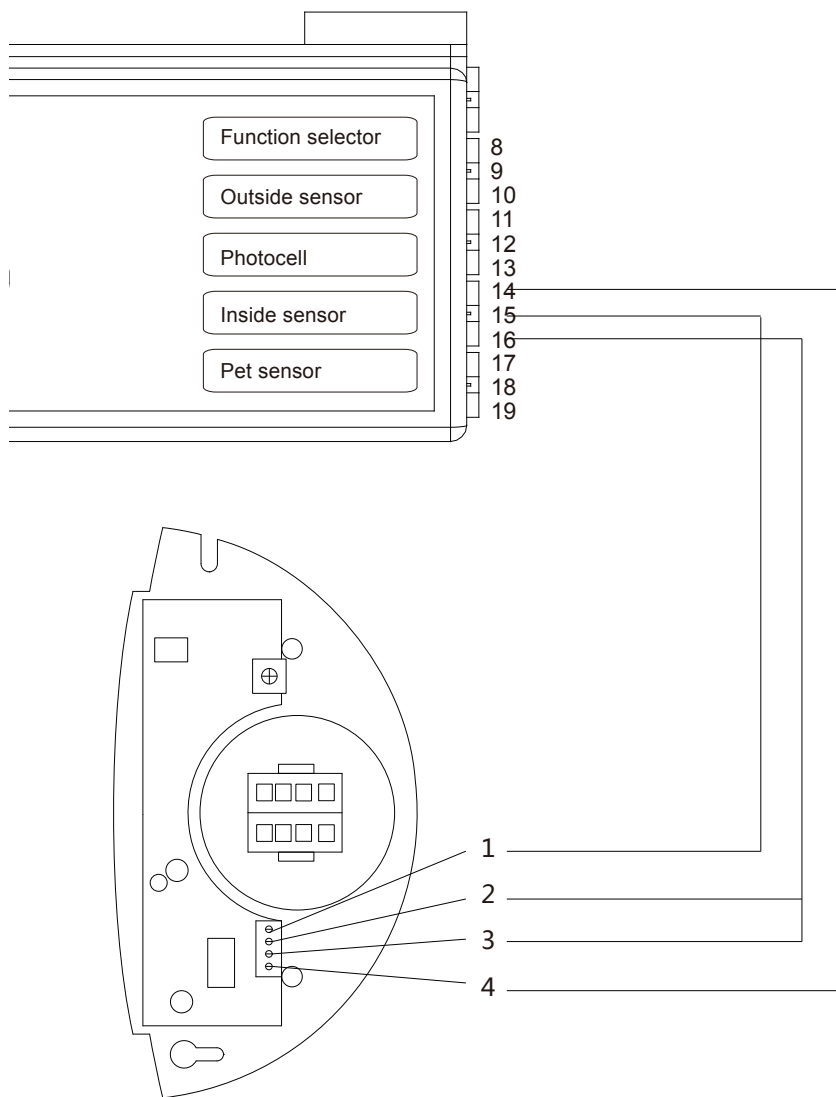
### ● Mode of remote



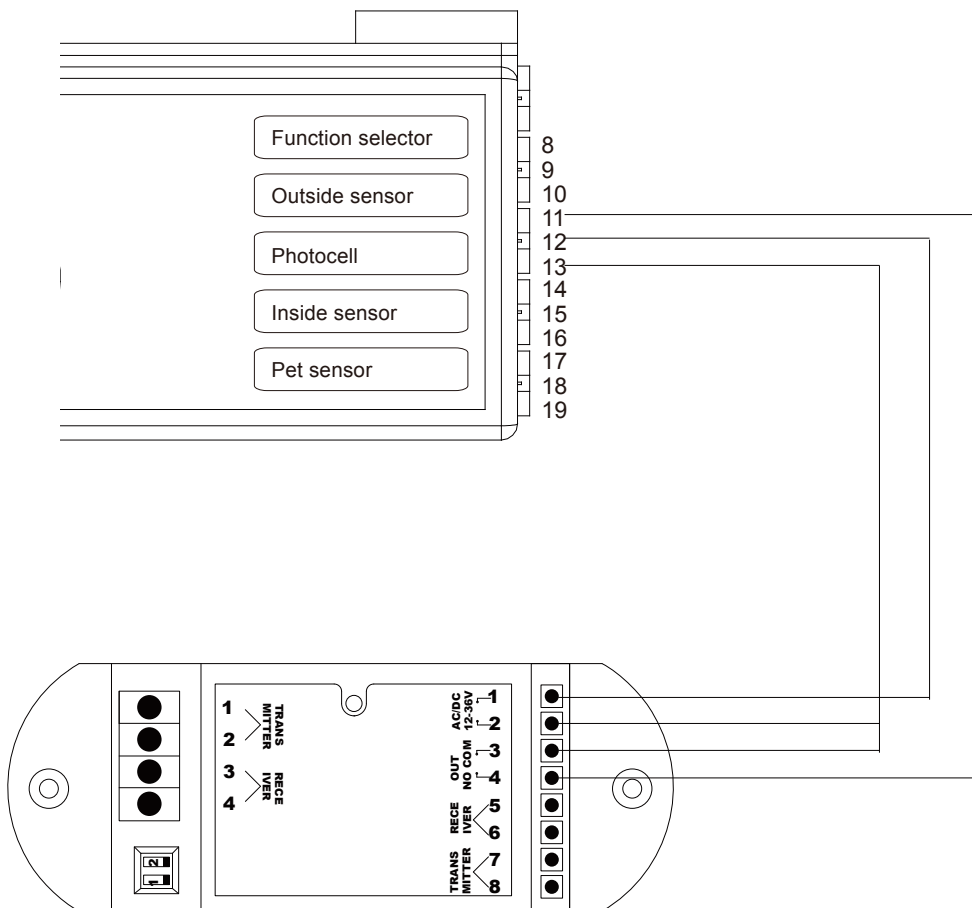
Door mode:

- 1 automatic    2 open    3 lock    4 pet  
5 manual       6 toggle

# CONNECTION OF SENSOR

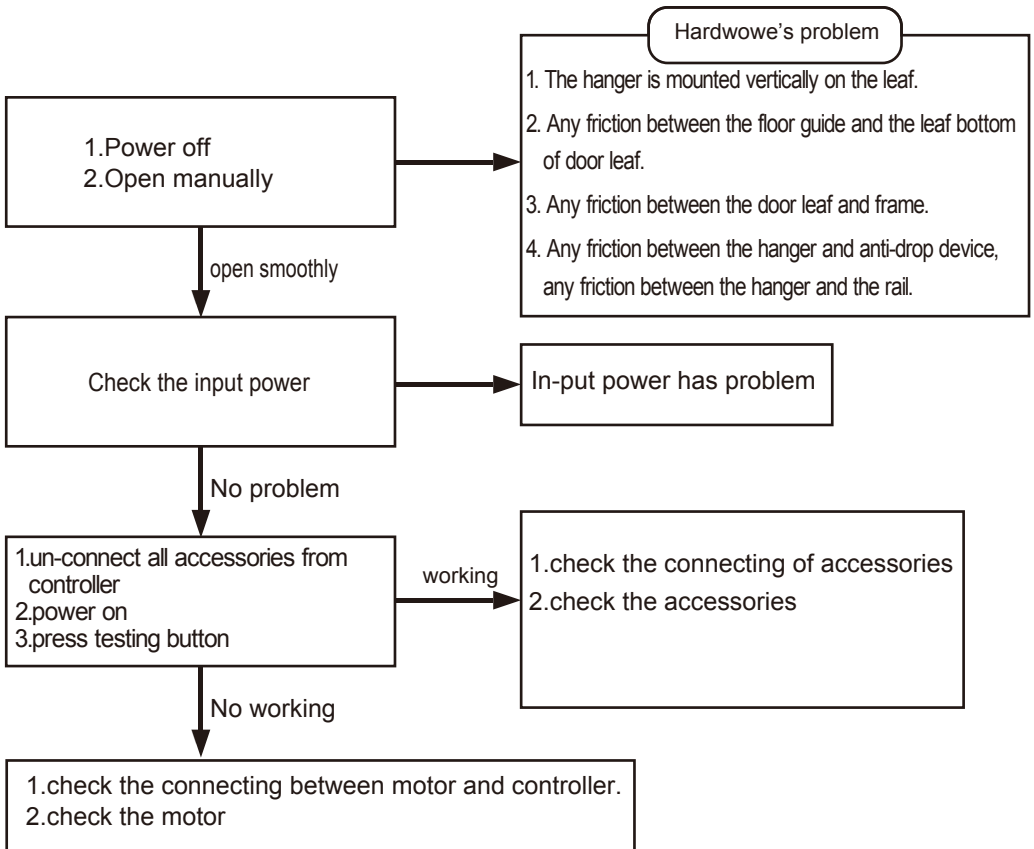


## CONNECTION OF PHOTOCELL



# W I S L I D E R s m a r t

## TROUBLE SHOOTING



## TROUBLE SHOOTING

Symptoms	Causes	Troubles shooting	Remedy
Door leaves open or close un-smoothly	Opening or closing speed is set too slow	Check the data of opening and closing speed.	Adjust the opening or closing speed.
	Too much resistance when no power.	Any damager or loosen at hangers, floor guide or anti-drop device.	Fix the parts strongly. Fixe the guide at the right position. Fix the anti-drop device.
		Any obstacle on the track.	Clean the track.
Door leaves hit each other when closing	Stopper is fixed not strongly.	Check the stopper.	Adjust the stopper's position and fix it.
	Closing speed is too fast and the buffer distance when closing is too small.	Check the closing speed and buffer distance when closing on controller.	Turn down the closing speed, and turn up the buffer distance when closing.
Door not working	No power input.	Check the outside input power.	Connection the power.
		Check the fuse of power switch.	Change a new fuse.
	Door is locked.	Check the lock is working or not.	Un-lock the door.
	Connection between motor and controller is not good.	Check the connection is good or not.	Connect them strongly.
	Inter-lock is working.	Check it works as inter-lock or not.	Waiting another door close.
Door does not close	Sensor is working.	Check the sensor is broken or not.	Use a new sensor.
		Check any stuff at the detecting area.	Clean the detecting area.
		Check the sensor is fixed stably.	Fix the sensor well.

## TROUBLE SHOOTING

Door does not close	Photocell is working.	Check the receiver and emitter are at same level or not.	Adjust position of receiver and emitter at same level.
		The surface of receiver and emitter is clean or not.	Clean the surface.
	Connection is good or not.	Connect the photocell the controller well.	
	Function keypad or remote is working.	Check the button of always opening.	Re-set the function.
Door open by itself	Sensor work mistakes	Any stuff at the detecting area.	Move the stuff out the detecting area.
		Any fluorescent light near sensor.	Don't install the fluorescent light near sensor.
		Any strong microwave machine working near sensor.	Move the machine away sensor.



W I  S L I D E R  
— s m ä r t —