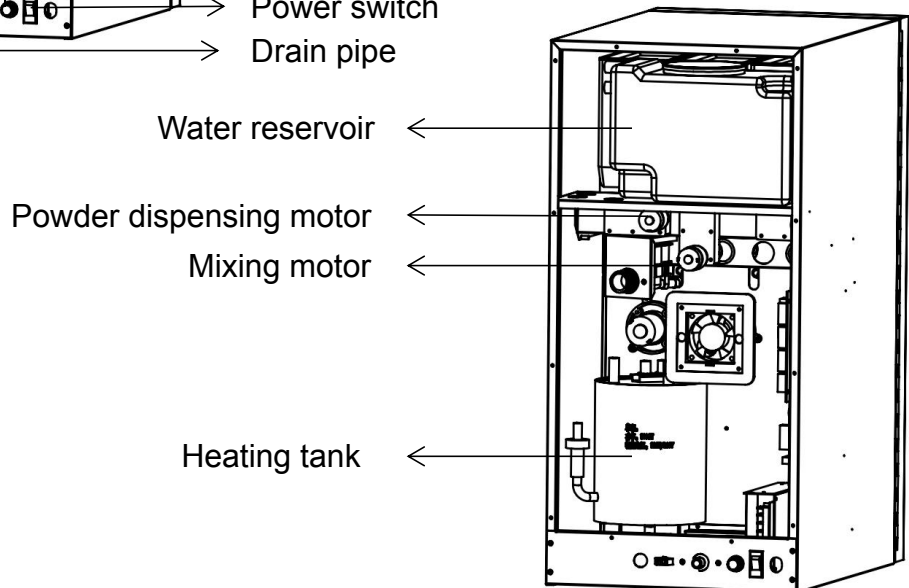
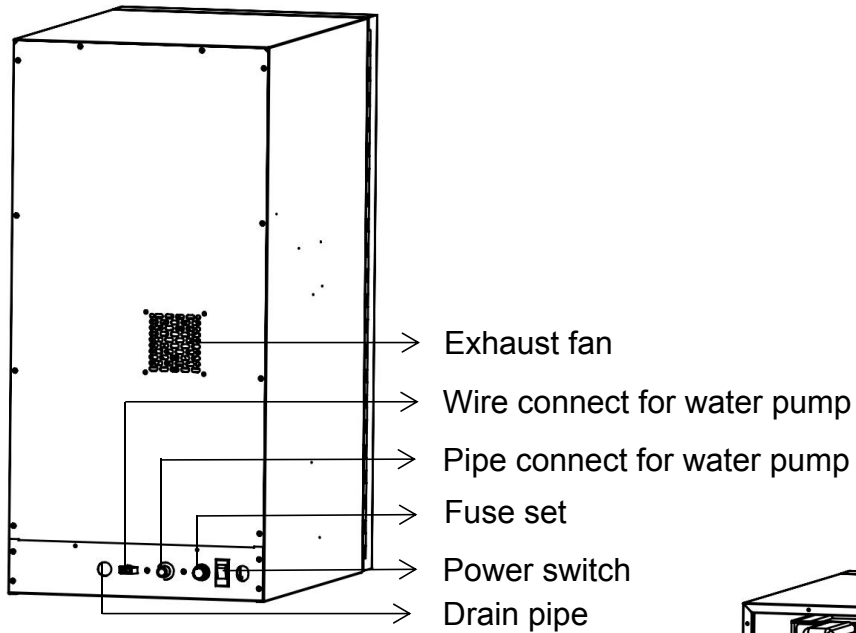
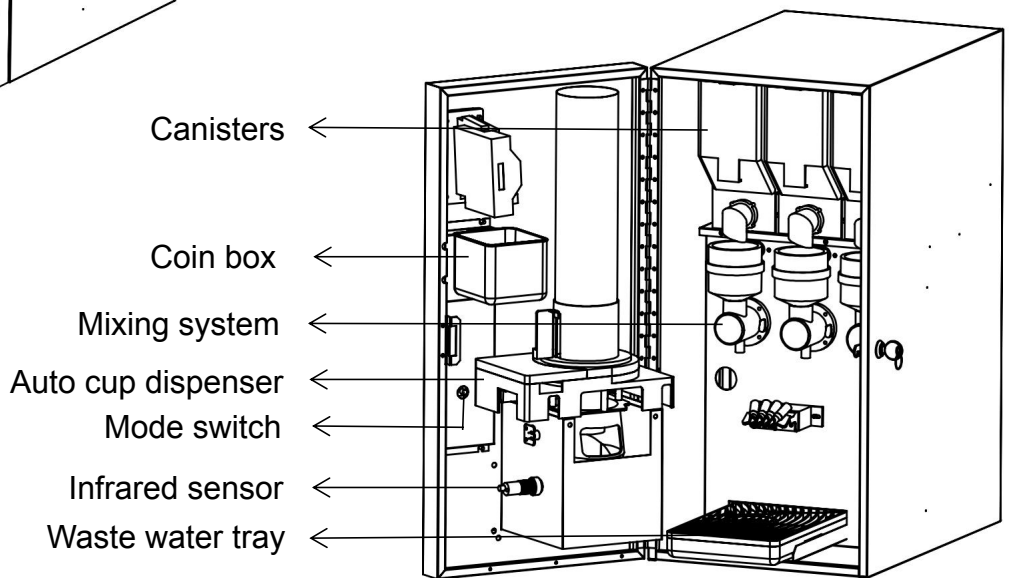
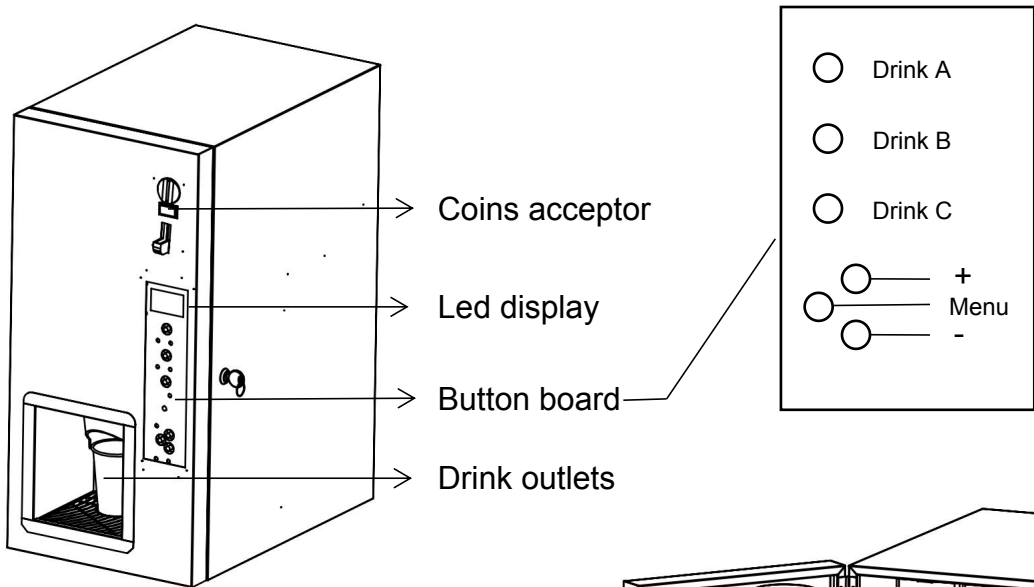


User Manual

GTD203



Machine Structure



Machine Parameters

Model	GTD203
Dimension	32(W)*51(D)*67(H)CM
N.W	26KGS
Canister capacity	2.5L
Canister quantity	3
Power supply	220V 50Hz
Rated power	1800W
Payment system	coins
Powder dispensing motor	180rpm
Drink mixing motor	10700rpm

Preparation Before Using

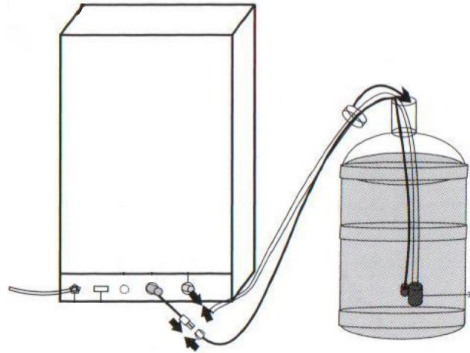
1. Clean the inside and outside of the machine, also ingredient canisters.
2. Install the machine on flat place.
3. Take out things in waste water tray and put the tray in correct position.
4. Use socket which connected to earth.

Warning and Notice

1. When adding water, please avoid ditching on the machine, it may cause fire.
2. Don't touch plug when hands are wet.
3. Avoid electronic wire be pressed by weight, it may cause fire.
4. Please use single socket, don't connect too much electrical appliance.
5. Don't use over pressure.
6. Don't put the machine too close to wall, to let ventilation system can work well.
7. Don't pull electronic wire.
8. No return charge function, please put in correct amount of coins.
9. Don't use other ingredients except instant powder.
10. Don't put your hands under the machine.
11. Disconnect plug if not use for long time.
12. Disconnect the plug immediately if any abnormal sound or abnormal smell.
13. Don't drag the electronic wire.
14. Don't put other things on the machine.
15. Don't put the machine in wet place.
16. Please disconnect plug when change fuse.
17. Please use 220V socket.
18. Don't take apart the machine freely.
19. Clean foreign matter on plug.
20. Don't insert plug when socket loose.

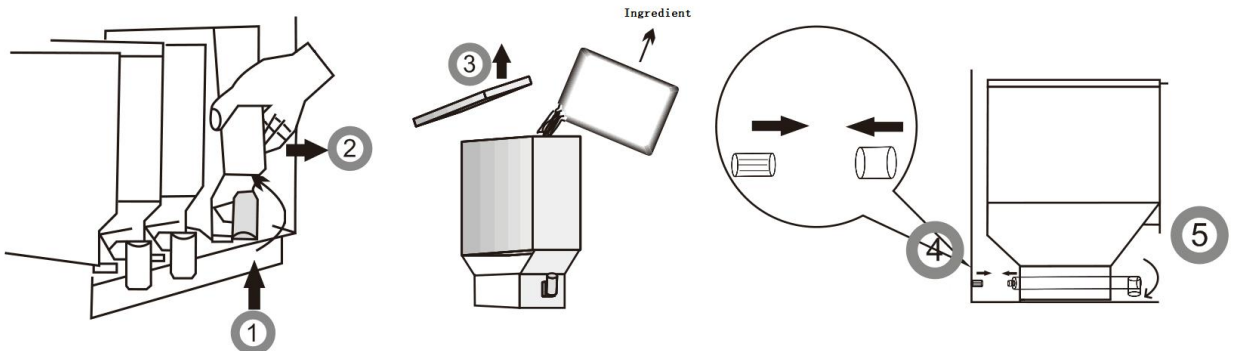
Step 1: Connect Water Supply

1. Connect pump wire on machine;
2. Connect pump pipe on machine;
3. Put pump in water barrel;
4. Turn on power, machine will add water automatically.



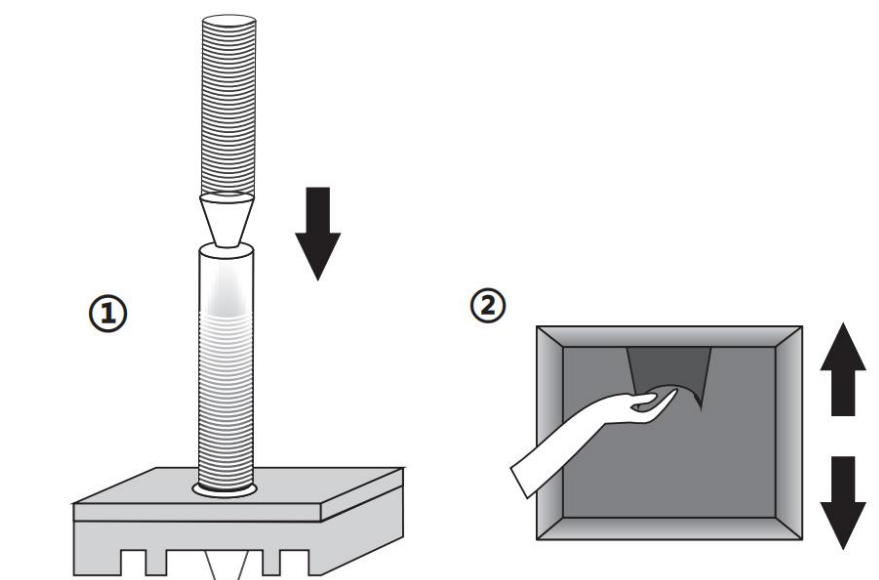
Step 2: Add Ingredient

1. Follow the arrow to rotate the ingredient outlet ;
2. Raise up the front side of canister and take it apart;
3. Open the lid, and fill the canister with ingredients;
4. Connect the axle and stall canister;
5. Follow the arrow to rotate the ingredient outlet to use state



Step 3: Add Cup

1. Put dry and clean cup in cup road.
2. After cup added, check if cups can be moved up and down.



Step 4: Machine Setting

Menu Functions

Press “Mode”, LED display “SET”.

Press “Menu”	LED Display	Function Explain
1 time	CLA	Clean Press “Drink A”, machine will clean pipe and mixing chamber automatically.
2 times	H00	The highest temperature of hot water Press “+” and “-” to adjust the temperature.
3 times	L00	The lowest temperature of hot water Press “+” and “-” to adjust the temperature.
4 times	C00	The highest temperature of cold water No need to set for GTD203.
5 times	E00	The lowest temperature of cold water No need to set for GTD203.
6 times	CP0/CP1	Machine dispense cup/Use own cup Press “+” or “-” to adjust.
7 times	CUP	Test cup dispenser Press “Drink A”, machine will dispense a cup to test if cup dispenser work well.
8 times	CHE	Full check (Notice: No powder in canisters.) Press “Drink A”, machine will check functions of powder dispensing motor, mixing motor and water outlet.

Data Setting

Press “Mode”, LED display “SET”.

Set drink A

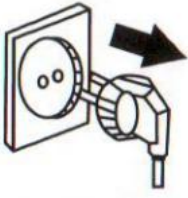



- Press “Drink A” 1 time, LED display “000”, it is price for drink A. Increase and reduce by pressing buttons “+” and “-”. (001=1THB, 002=2THB, 003=3THB ...)
- Press “Drink A” 2 times, LED display “A-1”, it is water volume for drink A. The number show on LED is water dispensing time, such as “065” means 6.5 seconds. Increase and reduce by pressing buttons “+” and “-”.
- Press “Drink A” 3 times, LED display “A-2”, it is ingredient amount for drink A. The number show on LED is powder dispensing time, such as “030” means 3 seconds, increase and reduce by pressing buttons “+” and “-”.
- Press “Drink A” 4 times, LED display “1A000000”, it is sales of drink A. For example, “1A 000 029” means drink A is sold 29 cups.

Set data of Drink B&C with the same way.

After setting, press “Mode” to save all data.

Fuse Change

If fuse is broken, change fuse timely. (AC250/10A)

<p>1. Take out plug before fuse change.</p> 	<p>2. Open fuse set.</p> 
<p>3. Take out broken fuse and replace with new fuse.</p> 	<p>4. Tight new fuse on fuse set.</p> 

Error Code

Error Code	Code Meaning	How to Do
E01	No water	Add water
E02	No cup	Add cup
E03	No water and no cup	Add water and cup

Warranty Card

Warranty Card

Thanks for your order from our company. If your machine has any problem during warranty period, please kindly fill out this warranty card and send back with machine for repair or exchange.

Product Name:		Warranty Time 12 Months
Model No.:		
Serial No.:		
Purchase Time(D/M/Y):		
Customer Info.	Name:	
	Tel:	
	Add:	
Description:		